

C-RCI 2,5/M3,5-B 1000 - Ring cable lug

1200335

<https://www.phoenixcontact.com/us/products/1200335>

Please be informed that the data shown in this PDF document is generated from our online catalog. Please find the complete data in the user documentation. Our general terms of use for downloads are valid.

Ring cable lug, color: blue



Commercial data

Item number	1200335
Packing unit	1,000 pc
Minimum order quantity	1,000 pc
Sales key	BH34
Product key	BH3421
GTIN	4055626461939
Weight per piece (including packing)	1.45 g
Weight per piece (excluding packing)	1.45 g
Customs tariff number	85369010
Country of origin	TW

C-RCI 2,5/M3,5-B 1000 - Ring cable lug

1200335

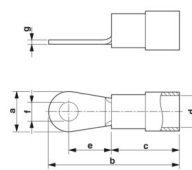
<https://www.phoenixcontact.com/us/products/1200335>

Technical data

Product properties

Product type	Connector
--------------	-----------

Dimensions

Dimensional drawing	
Length of the insulating material sleeve	11.5 mm
Distance from the center to the insulating material sleeve	6 mm
Min. material thickness	0.8 mm
Inner dimensions of the insulating collar	4.5 mm

Internal dimensions

Internal diameter	3.7 mm
-------------------	--------

Material specifications

Color	blue (RAL 5015)
Flammability rating according to UL 94	V2
Components	halogen-free

C-RCI 2,5/M3,5-B 1000 - Ring cable lug

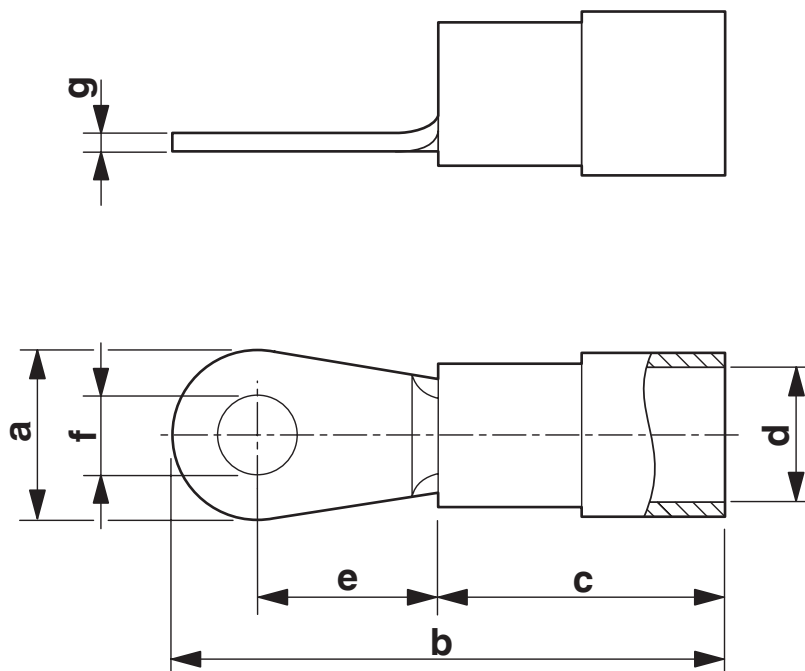
1200335

<https://www.phoenixcontact.com/us/products/1200335>



Drawings

Dimensional drawing



C-RCI 2,5/M3,5-B 1000 - Ring cable lug



1200335

<https://www.phoenixcontact.com/us/products/1200335>

Classifications

ECLASS

ECLASS-13.0	27400204
ECLASS-15.0	27400204

ETIM

ETIM 9.0	EC001052
----------	----------

UNSPSC

UNSPSC 21.0	27121700
-------------	----------

C-RCI 2,5/M3,5-B 1000 - Ring cable lug



1200335

<https://www.phoenixcontact.com/us/products/1200335>

Environmental product compliance

EU RoHS

Fulfills EU RoHS substance requirements	Yes, No exemptions
---	--------------------

China RoHS

Environment friendly use period (EFUP)	EFUP-E
	No hazardous substances above the limits

EU REACH SVHC

REACH candidate substance (CAS No.)	No substance above 0.1 wt%
-------------------------------------	----------------------------

Phoenix Contact 2026 © - all rights reserved
<https://www.phoenixcontact.com>

Phoenix Contact USA
586 Fulling Mill Road
Middletown, PA 17057, United States
(+717) 944-1300
info@phoenixcon.com