

SF-ASD 16/CHARGER - Charger



1200296

<https://www.phoenixcontact.com/us/products/1200296>

Please be informed that the data shown in this PDF document is generated from our online catalog. Please find the complete data in the user documentation. Our general terms of use for downloads are valid.

Charger, for 100 ... 240 V mains voltage, recognition of battery and parameter check, rapid charging, short-circuit resistant, polarized, operating mode display



Your advantages

- 3.6 V
- 100 V ... 240 V
- Diagnostic and status indicators
- Easy operation
- 50 Hz ... 60 Hz
- Rapid battery charging
- Reverse polarity protected

Commercial data

Item number	1200296
Packing unit	1 pc
Minimum order quantity	1 pc
Sales key	BH32
Product key	BH324Y
GTIN	4055626666440
Weight per piece (including packing)	594 g
Weight per piece (excluding packing)	482.9 g
Customs tariff number	85044060
Country of origin	TW

SF-ASD 16/CHARGER - Charger



1200296

<https://www.phoenixcontact.com/us/products/1200296>

Technical data

Product properties

Product type	Charger
Type of packaging	packed in cardboard

Electrical properties

Frequency range	50 Hz ... 60 Hz
Power consumption	15 W
Nominal voltage U_N	100 V AC ... 240 V AC

Supply

Supply voltage range	100 V AC ... 240 V AC
----------------------	-----------------------

Battery

Battery charging	60.00 min
Battery-operated voltage	3.60 V DC
Battery capacity	2.00 Ah

Dimensions

Width	108 mm
Height	55 mm
Length	143 mm

Material specifications

Color	black
-------	-------

Environmental and real-life conditions

Ambient conditions

Degree of protection	IP30
Ambient temperature (operation)	5 °C ... 40 °C
Ambient temperature (storage/transport)	-25 °C ... 50 °C
Permissible humidity (operation)	95 %
Permissible humidity (storage/transport)	95 %

SF-ASD 16/CHARGER - Charger

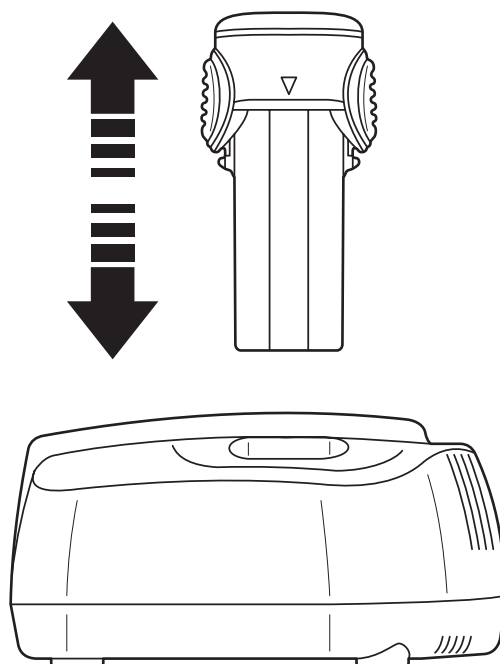
1200296

<https://www.phoenixcontact.com/us/products/1200296>



Drawings

Schematic diagram



SF-ASD 16/CHARGER - Charger



1200296

<https://www.phoenixcontact.com/us/products/1200296>

Classifications

ECLASS

ECLASS-13.0	21052901
ECLASS-15.0	21052901

ETIM

ETIM 10.0	EC001184
-----------	----------

UNSPSC

UNSPSC 21.0	26111700
-------------	----------

SF-ASD 16/CHARGER - Charger



1200296

<https://www.phoenixcontact.com/us/products/1200296>

Environmental product compliance

EU RoHS

Fulfills EU RoHS substance requirements	Yes, No exemptions
---	--------------------

China RoHS

Environment friendly use period (EFUP)	EFUP-5
	An article-related China RoHS declaration table can be found in the download area for the respective article under "Manufacturer declaration". For all articles with EFUP-E, no China RoHS declaration table issued and required.

EU REACH SVHC

REACH candidate substance (CAS No.)	No substance above 0.1 wt%
-------------------------------------	----------------------------

EF3.1 Climate Change

CO2e kg	9.129 kg CO2e
---------	---------------

Phoenix Contact 2026 © - all rights reserved
<https://www.phoenixcontact.com>

Phoenix Contact USA
586 Fulling Mill Road
Middletown, PA 17057, United States
(+717) 944-1300
info@phoenixcon.com