

SF-ASD 16 SET - Battery-powered screwdriver set



1200295

<https://www.phoenixcontact.com/us/products/1200295>

Please be informed that the data shown in this PDF document is generated from our online catalog. Please find the complete data in the user documentation. Our general terms of use for downloads are valid.



Cordless screwdriver in case, incl. battery, charging device 100 ... 240 V, 2 bits, two-speed gearbox, forward/reverse running and 16-stage clutch up to 450 rpm, hexagonal fast connection.

Your advantages

- Cordless screwdriver with two-speed gearbox, forward/reverse running and 16-stage clutch with drilling speed of up to 450 rpm
- Adjustable from 0.2 ... 4.3 Nm
- Comfortable one-handed operation in a straight or angled position
- Compact design

Commercial data

Item number	1200295
Packing unit	1 pc
Minimum order quantity	1 pc
Sales key	BH32
Product key	BH3243
GTIN	4055626666433
Weight per piece (including packing)	1,850 g
Weight per piece (excluding packing)	1,750 g
Customs tariff number	84672920
Country of origin	TW

SF-ASD 16 SET - Battery-powered screwdriver set



1200295

<https://www.phoenixcontact.com/us/products/1200295>

Set consists of

SF-ASD 16 - Cordless screwdriver

1200294

<https://www.phoenixcontact.com/us/products/1200294>



Cordless screwdriver, incl. battery, two-speed gearbox, forward/reverse running and 16-stage clutch up to 450 rpm, hexagonal quick connection.

SF-ASD 16/CHARGER - Charger

1200296

<https://www.phoenixcontact.com/us/products/1200296>



Charger, for 100 ... 240 V mains voltage, recognition of battery and parameter check, rapid charging, short-circuit resistant, polarized, operating mode display

SF-ASD 16 SET - Battery-powered screwdriver set



1200295

<https://www.phoenixcontact.com/us/products/1200295>

SF-ASD 16/ACCU 2,0 AH - Battery module

1314530

<https://www.phoenixcontact.com/us/products/1314530>



Replacement battery, 2.0 Ah, lithium-ion, 3.6 V, for SF-ASD 16 cordless screwdriver

SF-ASD 16 SET - Battery-powered screwdriver set



1200295

<https://www.phoenixcontact.com/us/products/1200295>

Technical data

Notes

Environmental Product Compliance

California Proposition 65

Further information on California's prop. 65 is available under "Downloads" in the manufacturer's declaration

Product properties

Product type	Torque tool
Type of packaging	Case
Battery-operated voltage	3.6 V
Battery charging	60 min

Insulation characteristics

Protection class	II
------------------	----

Electrical properties

Power consumption	7.2 W
Nominal voltage U_N	3.6 V DC
	3.6 V DC

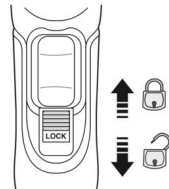
Battery

Battery charging	60.00 min
Battery-operated voltage	3.60 V DC
Battery capacity	2.00 Ah

Connection data

Torque range	0.2 Nm ... 4.3 Nm
Output	6,3 mm

Dimensions

Dimensional drawing	
Width	45 mm
Height	172 mm
Length	266 mm

Environmental and real-life conditions

Ambient conditions

SF-ASD 16 SET - Battery-powered screwdriver set



1200295

<https://www.phoenixcontact.com/us/products/1200295>

Ambient temperature (operation)	5 °C ... 40 °C
Ambient temperature (storage/transport)	-25 °C ... 60 °C
Permissible humidity (operation)	95 % (<)

SF-ASD 16 SET - Battery-powered screwdriver set

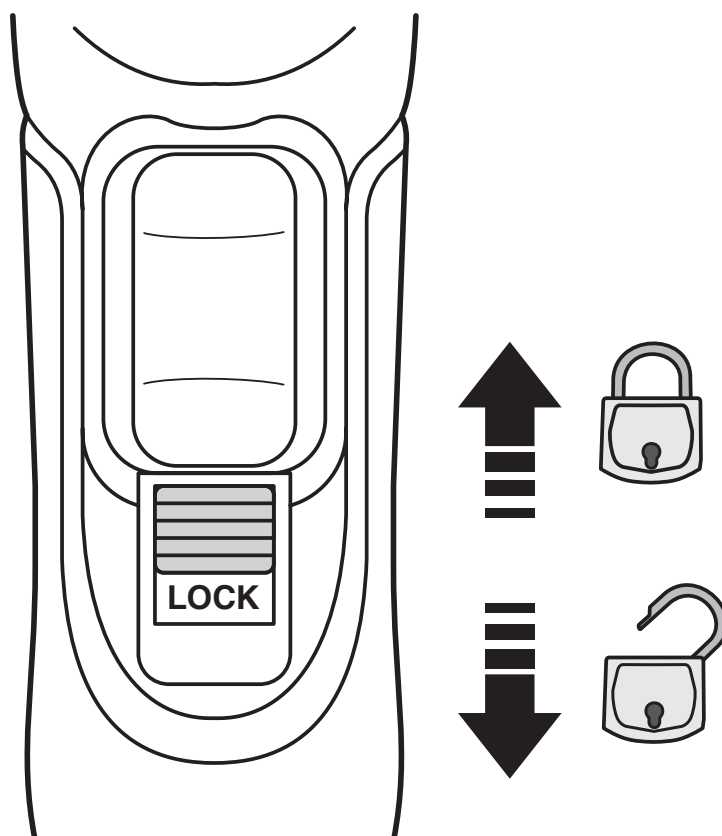
1200295

<https://www.phoenixcontact.com/us/products/1200295>



Drawings

Dimensional drawing



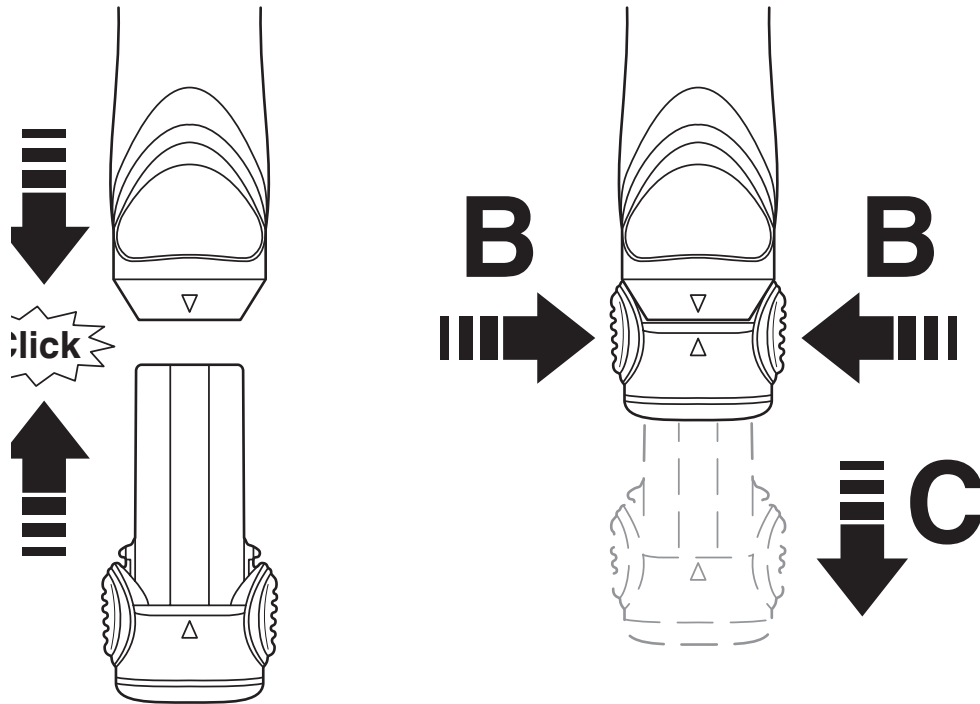
SF-ASD 16 SET - Battery-powered screwdriver set



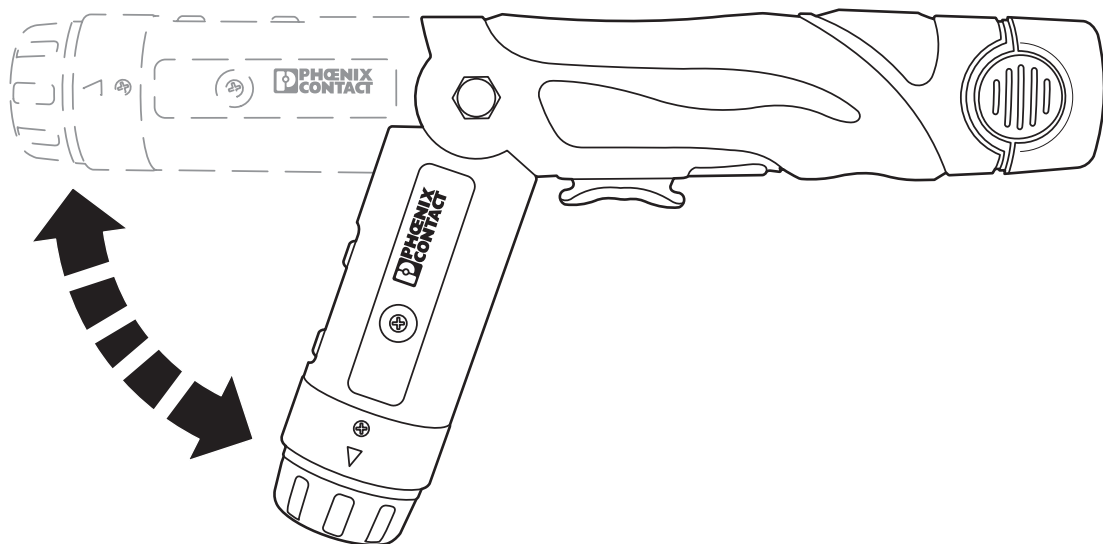
1200295

<https://www.phoenixcontact.com/us/products/1200295>

Schematic diagram



Schematic diagram



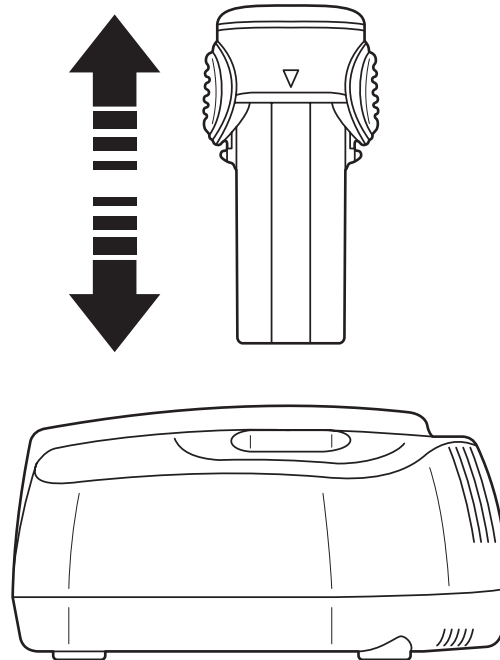
SF-ASD 16 SET - Battery-powered screwdriver set

1200295

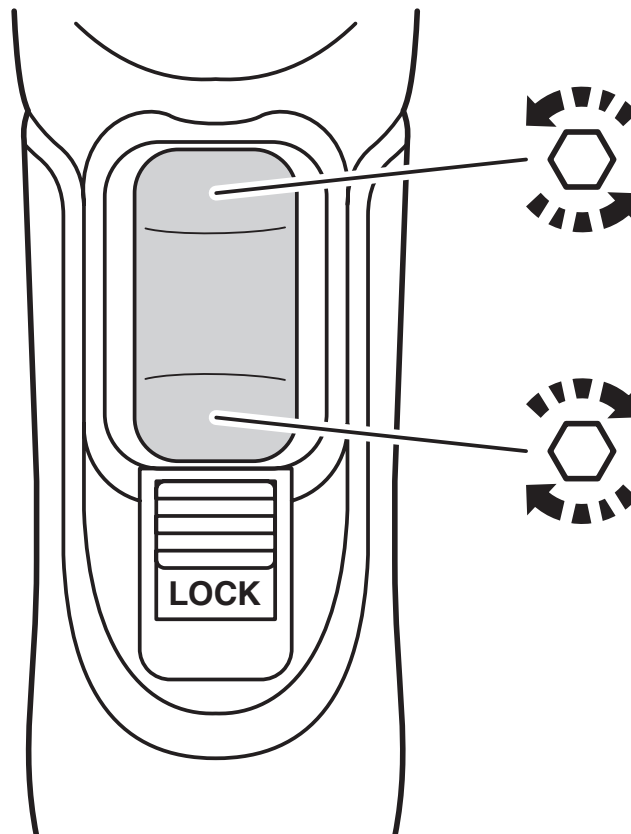
<https://www.phoenixcontact.com/us/products/1200295>



Schematic diagram



Schematic diagram



SF-ASD 16 SET - Battery-powered screwdriver set



1200295

<https://www.phoenixcontact.com/us/products/1200295>

Classifications

ECLASS

ECLASS-13.0	21050890
ECLASS-15.0	21050890

ETIM

ETIM 10.0	EC001395
-----------	----------

UNSPSC

UNSPSC 21.0	27111700
-------------	----------

SF-ASD 16 SET - Battery-powered screwdriver set



1200295

<https://www.phoenixcontact.com/us/products/1200295>

Environmental product compliance

China RoHS

Environment friendly use period (EFUP)	EFUP-5 An article-related China RoHS declaration table can be found in the download area for the respective article under "Manufacturer declaration". For all articles with EFUP-E, no China RoHS declaration table issued and required.
--	---

EU REACH SVHC

REACH candidate substance (CAS No.)	No substance above 0.1 wt%
-------------------------------------	----------------------------

EF3.1 Climate Change

CO2e kg	33.17 kg CO2e
---------	---------------

Phoenix Contact 2026 © - all rights reserved

<https://www.phoenixcontact.com>

Phoenix Contact USA
586 Fulling Mill Road
Middletown, PA 17057, United States
(+717) 944-1300
info@phoenixcon.com