

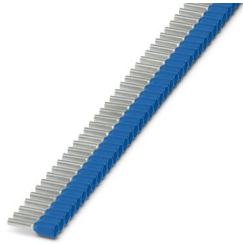
# AI 0,75- 8 BU S1 - Ferrule

1200163

<https://www.phoenixcontact.com/us/products/1200163>



Please be informed that the data shown in this PDF document is generated from our online catalog. Please find the complete data in the user documentation. Our general terms of use for downloads are valid.



Ferrule, Dimensions according to DIN 46228-4, with color-coded plastic collars according to NF C 63-023:1994-02, for processing with the CRIMPFOX 4 in 1, Length contact range: 8 mm, sleeve length: 14 mm, color: blue, number of strips: 10, number of sleeves per strip: 50

## Commercial data

|                                      |               |
|--------------------------------------|---------------|
| Item number                          | 1200163       |
| Packing unit                         | 500 pc        |
| Minimum order quantity               | 500 pc        |
| Sales key                            | BH34          |
| Product key                          | BH3415        |
| GTIN                                 | 4055626166551 |
| Weight per piece (including packing) | 0.088 g       |
| Weight per piece (excluding packing) | 0.091 g       |
| Customs tariff number                | 85369010      |
| Country of origin                    | DE            |

# AI 0,75- 8 BU S1 - Ferrule

1200163

<https://www.phoenixcontact.com/us/products/1200163>



## Technical data

### Product properties

|                    |  |
|--------------------|--|
| Product type       | Cable end sleeve   |
| Conductor category | stranded conductors, class 2, 5, 6 / B, C, K, M                            |
| Product property   | For processing with CRIMPFOX 4 IN 1  |
|                    | UL certified   |
|                    | Made from soft tin-plated electrolytic copper                              |
|                    | Correspond to the requirements of DIN 46228-4 and UL 486F in terms of size |
|                    | Plastic collar made of polypropylene                                       |
|                    | Halogen-free   |
|                    | Long/short-term temperature: +105°C/+120°C                                 |

### Connection data

#### Conductor connection

|                                       |                      |
|---------------------------------------|----------------------|
| Conductor cross-section flexible max. | 0.75 mm <sup>2</sup> |
| Conductor cross-section AWG max.      | 18                   |
| Stripping length                      | 11 mm                |

### Dimensions

|   |  |
|---|--|
| Dimensional drawing                       |  |
| Sleeve length                             | 14 mm  |
| Length contact range                      | 8 mm   |
| Maximum stripping length                  | 11 mm  |
| Ferrule diameter                          | 1.3 mm   |
| Sleeve wall thickness                     | 0.15 mm  |
| Insulating collar thickness               | 0.25 mm  |
| Inner dimensions of the insulating collar | 2.8 mm   |

### Material specifications

|  |                                |
|--|--------------------------------|
| Color                                  | blue (RAL 5015)                |
| Material                               | CU-DHP                         |
| Flammability rating according to UL 94 | HB                             |
| Coating                                | galvanically tin-plated        |
| Surface characteristics                | Tin-plated                     |
| Components                             | free from silicone and halogen |

### Mechanical properties

# AI 0,75- 8 BU S1 - Ferrule



1200163

<https://www.phoenixcontact.com/us/products/1200163>

## Technical data

|               |       |
|---------------|-------|
| Sleeve length | 14 mm |
|---------------|-------|

## Environmental and real-life conditions

### Ambient conditions

|                        |   |
|------------------------|---|
| Permanent temperature  | 105 °C (-40 °C no load / 0 °C dynamic load) |
| Short-term temperature | 120 °C                                      |

## Standards and regulations

|                              |                        |
|------------------------------|------------------------|
| Design according to standard | UL 486F-E, NF C 63-023 |
|------------------------------|------------------------|

# AI 0,75- 8 BU S1 - Ferrule

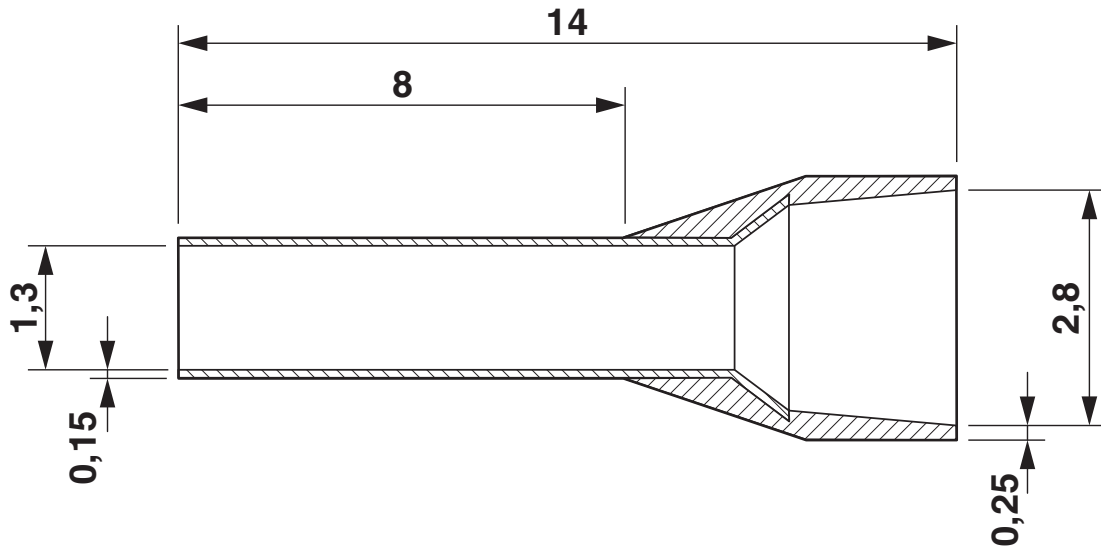
1200163

<https://www.phoenixcontact.com/us/products/1200163>



## Drawings

Dimensional drawing



# AI 0,75- 8 BU S1 - Ferrule



1200163

<https://www.phoenixcontact.com/us/products/1200163>

## Approvals

To download certificates, visit the product detail page: <https://www.phoenixcontact.com/us/products/1200163>



**cULus Listed**

Approval ID: E488001

# AI 0,75- 8 BU S1 - Ferrule

1200163

<https://www.phoenixcontact.com/us/products/1200163>



## Classifications

### ECLASS

|             |          |
|-------------|----------|
| ECLASS-13.0 | 27400201 |
| ECLASS-15.0 | 27400201 |

### ETIM

|           |          |
|-----------|----------|
| ETIM 10.0 | EC000005 |
|-----------|----------|

### UNSPSC

|             |          |
|-------------|----------|
| UNSPSC 21.0 | 27121700 |
|-------------|----------|

# AI 0,75- 8 BU S1 - Ferrule

1200163

<https://www.phoenixcontact.com/us/products/1200163>



## Environmental product compliance

### EU RoHS

|   |                    |
|---|--------------------|
| Fulfills EU RoHS substance requirements | Yes, No exemptions |
|---|--------------------|

### China RoHS

|  |  |
|--|--|
| Environment friendly use period (EFUP) | EFUP-E                                   |
|  | No hazardous substances above the limits |

### EU REACH SVHC

|                                     |                            |
|-------------------------------------|----------------------------|
| REACH candidate substance (CAS No.) | No substance above 0.1 wt% |
|-------------------------------------|----------------------------|

### EF3.1 Climate Change

|         |               |
|---------|---------------|
| CO2e kg | 0.002 kg CO2e |
|---------|---------------|

Phoenix Contact 2026 © - all rights reserved  
<https://www.phoenixcontact.com>

Phoenix Contact USA  
586 Fulling Mill Road  
Middletown, PA 17057, United States  
(+717) 944-1300  
[info@phoenixcon.com](mailto:info@phoenixcon.com)