

AI 1,5-8 BK S1 - Ferrule

1200107

<https://www.phoenixcontact.com/us/products/1200107>

Please be informed that the data shown in this PDF document is generated from our online catalog. Please find the complete data in the user documentation. Our general terms of use for downloads are valid.



Taped ferrules, 1.5 mm², sleeve length 8 mm, with plastic collar, according to DIN 46228-4, black, for processing with the CRIMPFOX 4 IN 1, 10 strips each with 50 sleeves per strip.

Commercial data

Item number	1200107
Packing unit	500 pc
Minimum order quantity	500 pc
Sales key	BH34
Product key	BH3415
GTIN	4055626043043
Weight per piece (including packing)	0.116 g
Weight per piece (excluding packing)	0.11 g
Customs tariff number	85369010
Country of origin	DE

AI 1,5-8 BK S1 - Ferrule

1200107

<https://www.phoenixcontact.com/us/products/1200107>

Technical data

Product properties

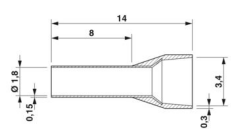
Product type	Cable end sleeve
Conductor category	stranded conductors, class 2, 5, 6 / B, C, K, M
Product property	For processing with CRIMPFOX 4 IN 1
	UL certified
	Made from soft tin-plated electrolytic copper
	Correspond to the requirements of DIN 46228-4 and UL 486F in terms of size
	Plastic collar made of polypropylene
	Halogen-free
	Long/short-term temperature: +105°C/+120°C

Connection data

Conductor connection

Conductor cross-section flexible max.	1.5 mm ²
Conductor cross-section AWG max.	16
Stripping length	11 mm

Dimensions

Dimensional drawing	
Sleeve length	14 mm
Length contact range	8 mm
Maximum stripping length	11 mm
Ferrule diameter	1.8 mm
Sleeve wall thickness	0.15 mm
Insulating collar thickness	0.3 mm
Inner dimensions of the insulating collar	3.4 mm

Material specifications

Color (Insulation)	black (RAL 9005)
Material	CU-DHP
Flammability rating according to UL 94	HB
Coating	galvanically tin-plated
Surface characteristics	Tin-plated
Components	free from silicone and halogen

Mechanical properties

AI 1,5-8 BK S1 - Ferrule



1200107

<https://www.phoenixcontact.com/us/products/1200107>

Technical data

Sleeve length	14 mm
---------------	-------

Environmental and real-life conditions

Ambient conditions

Permanent temperature	105 °C (-40 °C no load / 0 °C dynamic load)
Short-term temperature	120 °C

Standards and regulations

Design according to standard	DIN 46228-4, UL 486F-E
------------------------------	------------------------

AI 1,5-8 BK S1 - Ferrule

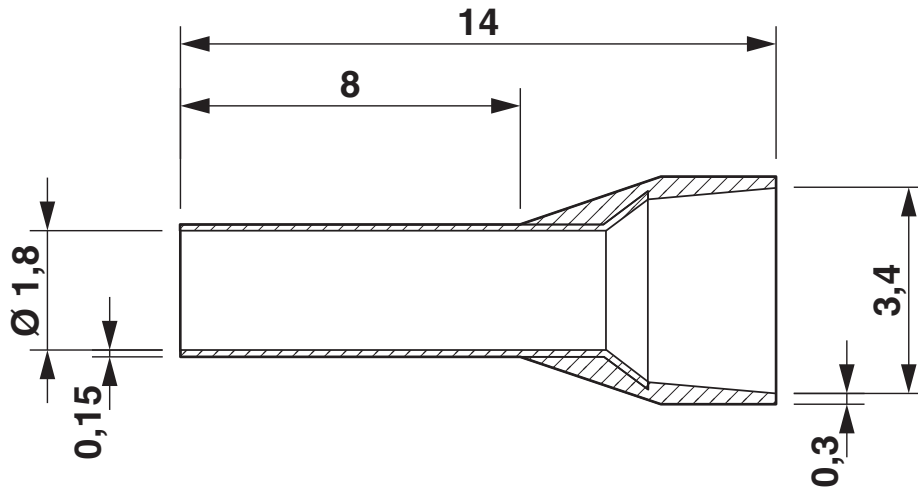
1200107

<https://www.phoenixcontact.com/us/products/1200107>



Drawings

Dimensional drawing



AI 1,5-8 BK S1 - Ferrule



1200107

<https://www.phoenixcontact.com/us/products/1200107>

Approvals

To download certificates, visit the product detail page: <https://www.phoenixcontact.com/us/products/1200107>



cULus Listed

Approval ID: E488001

AI 1,5-8 BK S1 - Ferrule



1200107

<https://www.phoenixcontact.com/us/products/1200107>

Classifications

ECLASS

ECLASS-13.0	27400201
ECLASS-15.0	27400201

ETIM

ETIM 10.0	EC000005
-----------	----------

UNSPSC

UNSPSC 21.0	27121700
-------------	----------

AI 1,5-8 BK S1 - Ferrule



1200107

<https://www.phoenixcontact.com/us/products/1200107>

Environmental product compliance

EU RoHS

Fulfills EU RoHS substance requirements	Yes, No exemptions
---	--------------------

China RoHS

Environment friendly use period (EFUP)	EFUP-E
	No hazardous substances above the limits

EU REACH SVHC

REACH candidate substance (CAS No.)	No substance above 0.1 wt%
-------------------------------------	----------------------------

EF3.1 Climate Change

CO2e kg	0.002 kg CO2e
---------	---------------

Phoenix Contact 2026 © - all rights reserved
<https://www.phoenixcontact.com>

Phoenix Contact USA
586 Fulling Mill Road
Middletown, PA 17057, United States
(+717) 944-1300
info@phoenixcon.com