

NBC-R4AC/15,0-94L/R4AC - Network cable



1199420

<https://www.phoenixcontact.com/us/products/1199420>

Please be informed that the data shown in this PDF document is generated from our online catalog. Please find the complete data in the user documentation. Our general terms of use for downloads are valid.



Network cable, degree of protection: IP20, cable length: 15 m, number of positions: 8, CAT5e, cable outlet: straight, Ethernet, 4x2xAWG24/7; SF/UTP, turquoise

Commercial data

Item number	1199420
Packing unit	1 pc
Minimum order quantity	1 pc
Sales key	AB11
Product key	ABNABE
GTIN	4063151258078
Weight per piece (including packing)	1,028.554 g
Weight per piece (excluding packing)	1,028.554 g
Customs tariff number	85444210
Country of origin	US

1199420

<https://www.phoenixcontact.com/us/products/1199420>

Technical data

Product properties

Product type	Data cable preassembled
Product family	RJ45 INDUSTRIAL IE8 CAT5
Sensor type	Ethernet
Number of positions	8
No. of cable outlets	1
Number of slots	1
Shielded	yes
Cable outlet	straight

Signaling

Status display	no
Status display present	no

Electrical properties

Nominal voltage U_N	30 V AC
Nominal current I_N	1.5 A
Transmission medium	Copper

Mechanical properties

Mechanical data

Insertion/withdrawal cycles	≥ 750
-----------------------------	------------

Material specifications

Flammability rating according to UL 94	V0
Outer sheath, material	TPE

Connector

Connection 1

Type	Plug straight RJ45
Handle color	black
Material	(Contact)
	Gold (Contact surface)
	PVC (Housing)
Insertion/withdrawal cycles	≥ 750
Degree of protection	IP20
Ambient temperature (operation)	-40 °C ... 85 °C

Connection 2

Type	Plug straight RJ45
Handle color	black

NBC-R4AC/15,0-94L/R4AC - Network cable



1199420

<https://www.phoenixcontact.com/us/products/1199420>

Material	(Contact)
	Gold (Contact surface)
	PVC (Housing)
Insertion/withdrawal cycles	≥ 750
Degree of protection	IP20
Ambient temperature (operation)	-40 °C ... 85 °C

Cable/line

Cable length	15.00 m
--------------	---------

Highly flexible Ethernet CAT5e [94L]

Dimensional drawing	
UL AWM Style	2463 (80 °C / 600 V)
Number of positions	8
Shielded	yes
Cable type	Highly flexible Ethernet CAT5e [94L]
Conductor structure	4x2xAWG24/7; SF/UTP
Conductor structure signal line	7x 0.20 mm (7x32)
AWG signal line	24
Conductor cross-section	4x 2x 0.2 mm ²
Wire diameter incl. insulation	1.2 mm
External cable diameter	7.40 mm ±0.25 mm
Outer sheath, material	TPE
External sheath, color	turquoise
Conductor material	Tin-plated Cu litz wires
Material wire insulation	PE
Single wire, color	white/blue-blue, white/orange-orange, white/green-green, white/brown-brown
Twisted pairs	2 cores to the pair
Overall twist	4 pairs for core
Optical shield covering	75 %
Wave impedance	100 Ω ±15 Ω (at 100 MHz)
Cable impedance	100 Ω ±15 Ω (at 1 ... 100 MHz)
Nominal voltage, cable	600 V
Test voltage	2000 V
Dynamic load capacity (bending)	Max. bending cycles: 1000000, Bending radius: 10 x D, Traversing path: 0.23 m, Traversing rate: 1.5 m/s, Acceleration: 20.5 m/s ²

NBC-R4AC/15,0-94L/R4AC - Network cable



1199420

<https://www.phoenixcontact.com/us/products/1199420>

	Max. bending cycles: 10000000, Bending radius: 20 X D (126 cycles/min. at 20 °C)
Dynamic load capacity (torsion)	Torsion: 360 °/m (1 lb. load), Torsion cycles: 4800000, Torsional frequency: 71 cycles/min, Ambient temperature (operation): 20 °C
Near end crosstalk attenuation (NEXT)	50 dB (with 100 MHz (IEC 62153-4-9))
Return attenuation (RL)	20 dB (at 10 MHz (+6LOG))
	26 dB (at 20 MHz)
	26 dB (at 100 MHz (-5LOG))
Flame resistance	VW-1
Other resistance	Resistant to welding splashes (Abrasion and oil resistance)
	UV resistant (CMX outdoor)
Ambient temperature (operation)	-40 °C ... 80 °C (Cable, flexible installation)

NBC-R4AC/15,0-94L/R4AC - Network cable

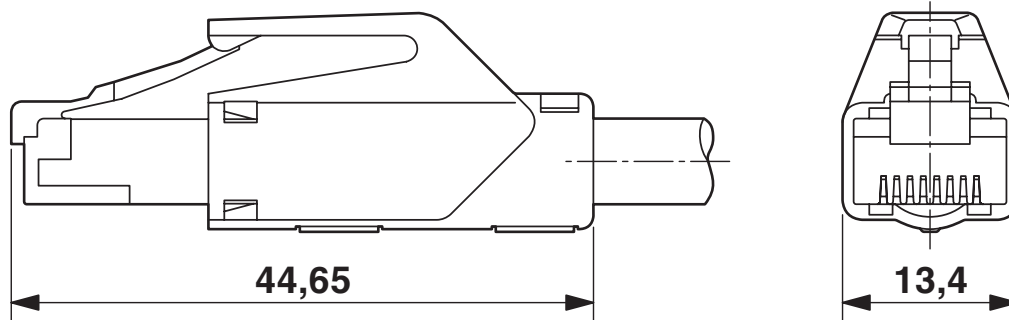


1199420

<https://www.phoenixcontact.com/us/products/1199420>

Drawings

Dimensional drawing



RJ45 connector, IP20

NBC-R4AC/15,0-94L/R4AC - Network cable

1199420

<https://www.phoenixcontact.com/us/products/1199420>



Schematic diagram



Connector pin assignment plug RJ45

NBC-R4AC/15,0-94L/R4AC - Network cable



1199420

<https://www.phoenixcontact.com/us/products/1199420>

Circuit diagram



Contact assignment of RJ45 plugs

NBC-R4AC/15,0-94L/R4AC - Network cable





1199420

<https://www.phoenixcontact.com/us/products/1199420>

Approvals

To download certificates, visit the product detail page: <https://www.phoenixcontact.com/us/products/1199420>

 UL Listed Approval ID: File E335024				
	Nominal voltage U_N	Nominal current I_N	Cross section AWG	Cross section mm^2
keine				
	60 V	0.5 A	-	-

 cUL Listed Approval ID: File E335024				
	Nominal voltage U_N	Nominal current I_N	Cross section AWG	Cross section mm^2
keine				
	60 V	0.5 A	-	-

NBC-R4AC/15,0-94L/R4AC - Network cable



1199420

<https://www.phoenixcontact.com/us/products/1199420>

Classifications

ECLASS

ECLASS-13.0	27060307
ECLASS-15.0	27060307

NBC-R4AC/15,0-94L/R4AC - Network cable



1199420

<https://www.phoenixcontact.com/us/products/1199420>

Environmental product compliance

EU RoHS

Fulfills EU RoHS substance requirements	Yes, No exemptions
---	--------------------

China RoHS

Environment friendly use period (EFUP)	EFUP-E
	No hazardous substances above the limits

EU REACH SVHC

REACH candidate substance (CAS No.)	No substance above 0.1 wt%
-------------------------------------	----------------------------

Phoenix Contact 2026 © - all rights reserved
<https://www.phoenixcontact.com>

Phoenix Contact USA
586 Fulling Mill Road
Middletown, PA 17057, United States
(+717) 944-1300
info@phoenixcon.com