

# SACB-10/3-L-C-M8 HD - Distributor box



1197621

<https://www.phoenixcontact.com/us/products/1197621>

Please be informed that the data shown in this PDF document is generated from our online catalog. Please find the complete data in the user documentation. Our general terms of use for downloads are valid.



Distributor box, application: Standard, connection method: M8 socket Metal, number of slots: 10, number of positions: 3, coding: A, slot assignment: single, status display: yes, PNP; master cable connection: Pluggable screw connection 180°, shielding: no

## Your advantages

- Safety in the field, thanks to molded housing and high degree of protection
- Convenient: increased machine availability thanks to quick and easy diagnostics
- Flexible: distributor box with connector hood for on-site assembly

## Commercial data

|                                      |               |
|--------------------------------------|---------------|
| Item number                          | 1197621       |
| Packing unit                         | 1 pc          |
| Minimum order quantity               | 1 pc          |
| Sales key                            | BF40          |
| Product key                          | AF3BCD        |
| GTIN                                 | 4063151257941 |
| Weight per piece (including packing) | 266.6 g       |
| Weight per piece (excluding packing) | 266.6 g       |
| Customs tariff number                | 85444290      |
| Country of origin                    | DE            |

## Technical data

### Notes

|                              |   |
|------------------------------|---|
| Note regarding documentation | For details about the PCB connectors used, refer to the technical data for MC 1,5/10-STF-3,5 (1847204)  |
| Assembly note                | <b>NOTE:</b> Observe the permissible bending radii when routing cables, since the degree of protection may be at risk if the bending forces are too high. Reduce mechanical loads upstream of the connector, e.g., by using cable ties. |
| Note on application          | Unused slots are to be sealed off prior to commissioning. Suitable sealing elements are to be found under "Accessories".  |

### Product properties

|                     |                 |
|---------------------|-----------------|
| Product type        | Distributor box |
| Application         | Standard        |
| Number of positions | 3               |
| Number of slots     | 10              |
| Coding              | A               |
| LED                 | yes             |

### System properties

#### Local diagnostics

|                        |                |
|------------------------|----------------|
| Monitored function     | Supply voltage |
| Optical representation | Green LED      |

### Electrical properties

|   |                               |
|---|-------------------------------|
| Max. operating voltage $U_{max}$        | 30 V DC                       |
| Local diagnostics                       | Supply voltage Green LED      |
|   | Status display I/O Yellow LED |
| Nominal voltage $U_N$                   | 24 V DC                       |
| Rated current, total                    | 8 A                           |
| Max. current carrying capacity per path | 2 A                           |
| Current carrying capacity per slot      | 2 A                           |

### Connection data

#### Conductor connection

|  |  |
|--|--|
| Sensor/actuator connection system                  | M8 socket                                    |
| Conductor cross-section Flexible signal line       | 0.14 mm <sup>2</sup> ... 1.5 mm <sup>2</sup> |
| Conductor cross-section Flexible power supply      | 0.14 mm <sup>2</sup> ... 1.5 mm <sup>2</sup> |
| Connection cross section AWG Flexible signal line  | 26 ... 16                                    |
| Connection cross section AWG Flexible power supply | 26 ... 16                                    |
| Stripping length Signal line                       | 7 mm   |
| Stripping length of the sheath                     | 70 mm (Master cable)                         |
| Tightening torque, cover screw                     | 1 Nm   |

# SACB-10/3-L-C-M8 HD - Distributor box



1197621

<https://www.phoenixcontact.com/us/products/1197621>

|  |        |
|--|--------|
| Tightening torque of mounting screw for fixing the housing | 0.8 Nm |
|--|--------|

## Connection assignment

|  |                                   |
|--|-----------------------------------|
| Slot/position = Wire color or connection | 1 / 4 (A) = 1 / 4                 |
|  | 2 / 4 (A) = 2 / 4                 |
|  | 3 / 4 (A) = 3 / 4                 |
|  | 4 / 4 (A) = 4 / 4                 |
|  | 5 / 4 (A) = 5 / 4                 |
|  | 6 / 4 (A) = 6 / 4                 |
|  | 7 / 4 (A) = 7 / 4                 |
|  | 8 / 4 (A) = 8 / 4                 |
|  | 9 / 4 (A) = 9 / 4                 |
|  | 10 / 4 (A) = 10 / 4               |
|  | 1-10 / 1 (+24 V) = U <sub>N</sub> |
| 1-10 / 3 (0 V) = 0 V                     |                                   |

## Signaling

|                        |     |
|------------------------|-----|
| Status display present | yes |
|------------------------|-----|

## Dimensions

|                          |        |
|--------------------------|--------|
| Dimensional drawing      |        |
| Width                    | 30 mm  |
| Height                   | 49 mm  |
| Length                   | 203 mm |
| Wrench size, union nut   | 24 mm  |
| Wrench size, counter nut | 24 mm  |

## Material specifications

|  |          |
|--|----------|
| Material Threaded sleeve                                 | Cu alloy |
| Material Housing   | PBT      |
| Material Molding compound                                | PUR      |
| Seal material O-ring                                     | FKM      |
| Seal material  | FKM      |
| Contact material   | CuZn     |
| Contact surface material                                 | Ni/Au    |
| Contact carrier material                                 | PBT      |
| Material of contact, master cable side                   | CU alloy |
| Material of the contact carrier on the master cable side | PA       |

# SACB-10/3-L-C-M8 HD - Distributor box



1197621

<https://www.phoenixcontact.com/us/products/1197621>

|  |            |
|--|------------|
| Material of contact surface, master cable side | tin-plated |
|--|------------|

## Cable/line

|                         |                            |
|-------------------------|----------------------------|
| External cable diameter | 6 mm ... 12 mm             |
| Connection method       | Pluggable screw connection |

## Environmental and real-life conditions

### Ambient conditions

|                                 |                  |
|---------------------------------|------------------|
| Degree of protection            | IP67             |
| Ambient temperature (operation) | -25 °C ... 80 °C |

## Standards and regulations

|                          |                 |
|--------------------------|-----------------|
| Standard designation     | M8 connector    |
| Standards/specifications | IEC 61076-2-104 |

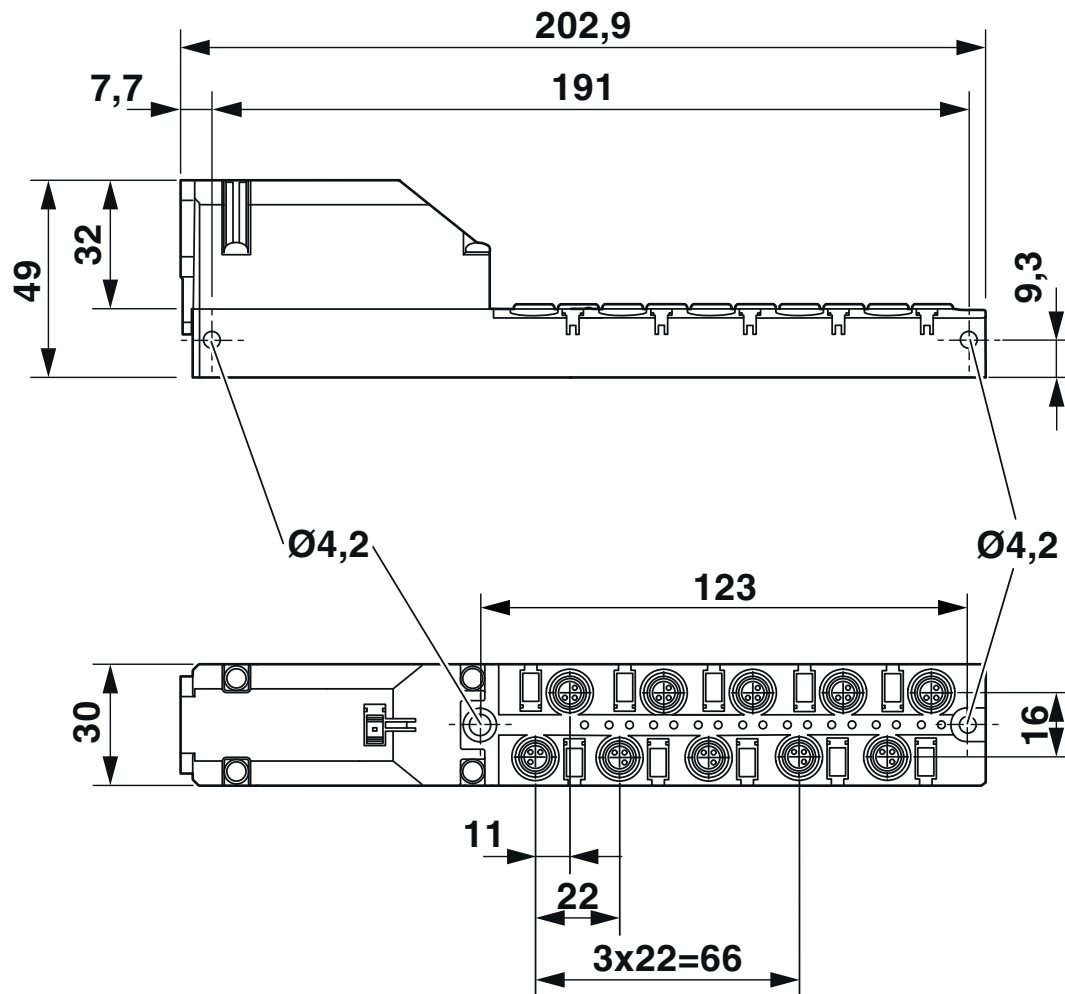
# SACB-10/3-L-C-M8 HD - Distributor box

1197621

<https://www.phoenixcontact.com/us/products/1197621>

## Drawings

Dimensional drawing



# SACB-10/3-L-C-M8 HD - Distributor box

1197621

<https://www.phoenixcontact.com/us/products/1197621>

Schematic diagram



M8 slot, socket, 3-pos.

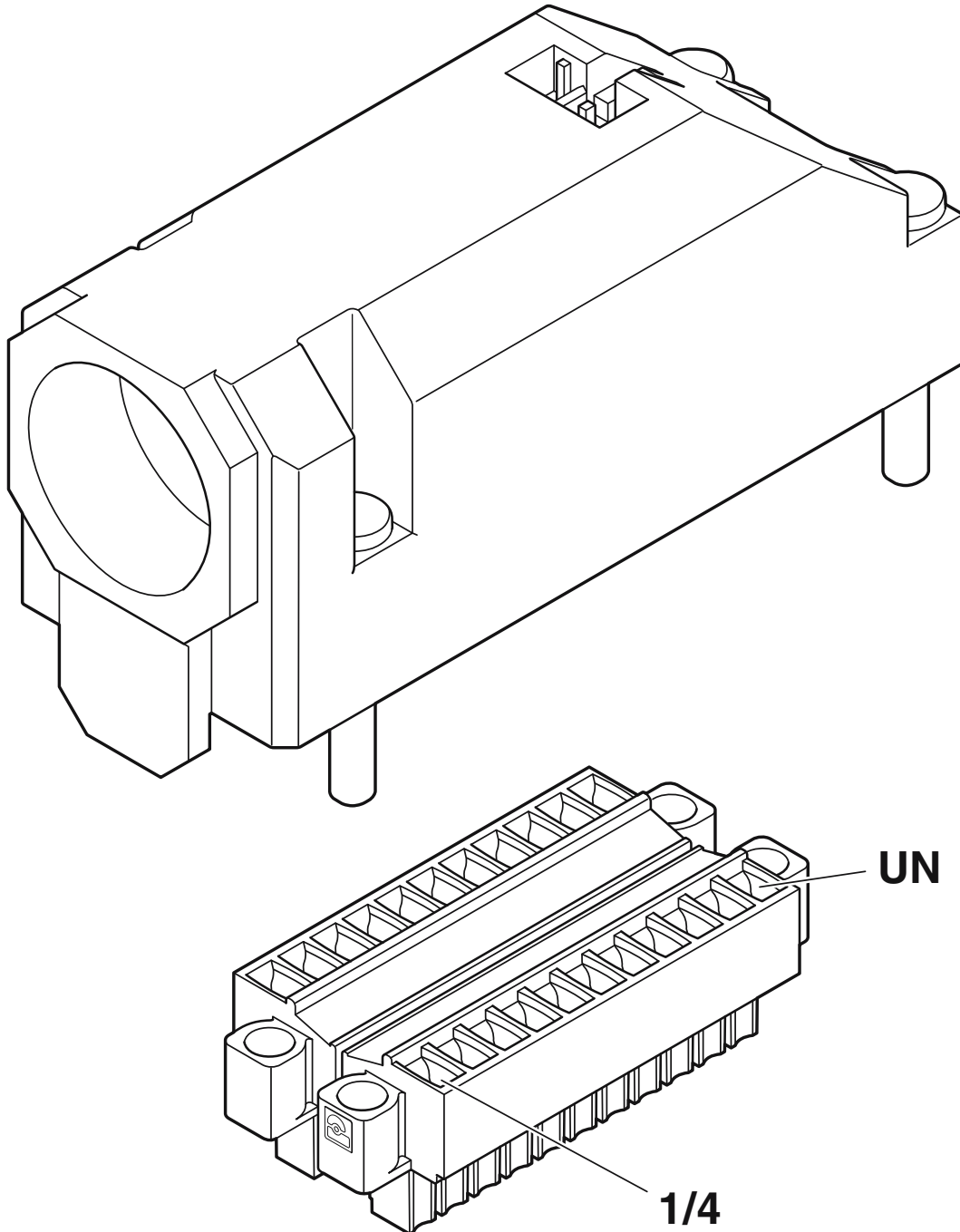
# SACB-10/3-L-C-M8 HD - Distributor box



1197621

<https://www.phoenixcontact.com/us/products/1197621>

Schematic diagram



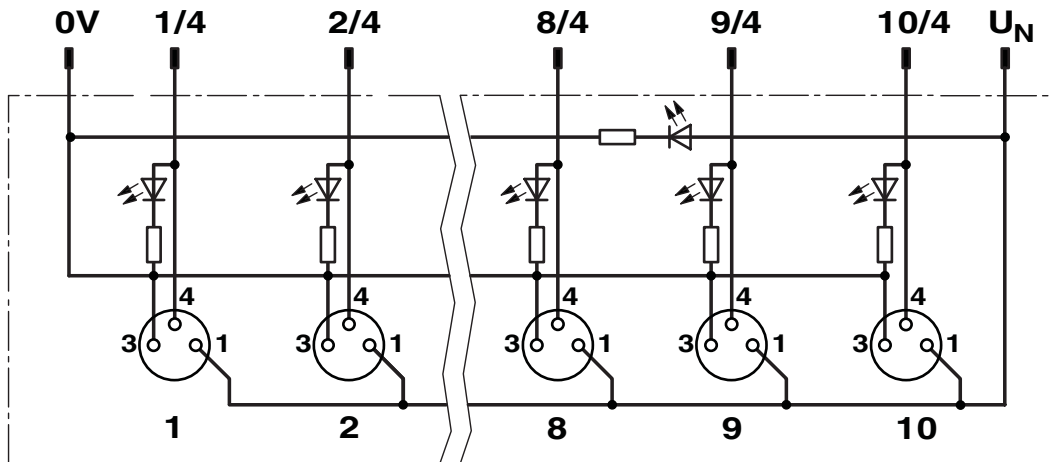
PCB connector positioning - the UN connection is on the end of the connector hood opposite the cable gland

# SACB-10/3-L-C-M8 HD - Distributor box

1197621

<https://www.phoenixcontact.com/us/products/1197621>

Circuit diagram



# SACB-10/3-L-C-M8 HD - Distributor box



1197621

<https://www.phoenixcontact.com/us/products/1197621>

## Classifications

### ECLASS

|             |          |
|-------------|----------|
| ECLASS-13.0 | 27440111 |
| ECLASS-15.0 | 27440111 |

### ETIM

|           |          |
|-----------|----------|
| ETIM 10.0 | EC003558 |
|-----------|----------|

### UNSPSC

|             |          |
|-------------|----------|
| UNSPSC 21.0 | 31251500 |
|-------------|----------|

# SACB-10/3-L-C-M8 HD - Distributor box



1197621

<https://www.phoenixcontact.com/us/products/1197621>

## Environmental product compliance

### EU RoHS

|   |                    |
|---|--------------------|
| Fulfills EU RoHS substance requirements | Yes, No exemptions |
|---|--------------------|

### China RoHS

|  |  |
|--|--|
| Environment friendly use period (EFUP) | EFUP-E                                   |
|  | No hazardous substances above the limits |

### EU REACH SVHC

|                                     |                            |
|-------------------------------------|----------------------------|
| REACH candidate substance (CAS No.) | No substance above 0.1 wt% |
|-------------------------------------|----------------------------|

Phoenix Contact 2026 © - all rights reserved  
<https://www.phoenixcontact.com>

Phoenix Contact USA  
586 Fulling Mill Road  
Middletown, PA 17057, United States  
(+717) 944-1300  
[info@phoenixcon.com](mailto:info@phoenixcon.com)