

# SACB- 6/3-L-PTP-M8 HD - Distributor box



1197608

<https://www.phoenixcontact.com/us/products/1197608>

Please be informed that the data shown in this PDF document is generated from our online catalog. Please find the complete data in the user documentation. Our general terms of use for downloads are valid.



Distributor box, application: Standard, connection method: M8 socket Metal, number of slots: 6, number of positions: 3, coding: A, slot assignment: single, status display: yes, PNP; master cable connection: plug-in push-in spring connection 180°, shielding: no

## Your advantages

- Safety in the field, thanks to molded housing and high degree of protection
- Convenient: increased machine availability thanks to quick and easy diagnostics
- Flexible: distributor box with connector hood for on-site assembly

## Commercial data

Item number	1197608
Packing unit	1 pc
Minimum order quantity	1 pc
Sales key	BF40
Product key	AF3BCD
GTIN	4063151257453
Weight per piece (including packing)	213.7 g
Weight per piece (excluding packing)	213.7 g
Customs tariff number	85366990
Country of origin	DE

## Technical data

### Notes

Assembly note	<b>NOTE:</b> Observe the permissible bending radii when routing cables, since the degree of protection may be at risk if the bending forces are too high. Reduce mechanical loads upstream of the connector, e.g., by using cable ties.
Note on application	Unused slots are to be sealed off prior to commissioning. Suitable sealing elements are to be found under "Accessories".

### Product properties

Product type	Distributor box
Application	Standard
Number of positions	3
Number of slots	6
Coding	A
LED	yes

### System properties

#### Local diagnostics

Monitored function	Supply voltage
Optical representation	Green LED

### Electrical properties

Max. operating voltage $U_{max}$	30 V DC
Local diagnostics	Supply voltage Green LED
	Status display I/O Yellow LED
Nominal voltage $U_N$	24 V DC
Rated current, total	8 A
Max. current carrying capacity per path	2 A
Current carrying capacity per slot	2 A

### Connection data

#### Conductor connection

Sensor/actuator connection system	M8 socket
Conductor cross-section Flexible signal line	0.2 mm <sup>2</sup> ... 1.5 mm <sup>2</sup>
Conductor cross-section Flexible power supply	0.2 mm <sup>2</sup> ... 1.5 mm <sup>2</sup>
Connection cross section AWG Flexible signal line	24 ... 16
Connection cross section AWG Flexible power supply	24 ... 16
Stripping length Signal line	10 mm
Stripping length of the sheath	70 mm (Master cable)
Tightening torque, cover screw	1 Nm
Tightening torque of mounting screw for fixing the housing	0.8 Nm

# SACB- 6/3-L-PTP-M8 HD - Distributor box



1197608

<https://www.phoenixcontact.com/us/products/1197608>

## Connection assignment

Slot/position = Wire color or connection	1 / 4 (A) = 1 / 4
	2 / 4 (A) = 2 / 4
	3 / 4 (A) = 3 / 4
	4 / 4 (A) = 4 / 4
	5 / 4 (A) = 5 / 4
	6 / 4 (A) = 6 / 4
	1-6 / 1 (+ 24 V) = U <sub>N</sub>
1-6 / 3 (0 V) = 0 V	

## Signaling

Status display present	yes
------------------------	-----

## Dimensions

Dimensional drawing	
Width	30 mm
Height	49 mm
Length	159 mm
Wrench size, union nut	24 mm
Wrench size, counter nut	24 mm

## Material specifications

Material Threaded sleeve	Cu alloy
Material Housing	PBT
Material Molding compound	PUR
Seal material O-ring	FKM
Seal material	FKM
Contact material	CuZn
Contact surface material	Ni/Au
Contact carrier material	PBT
Material of contact, master cable side	CU alloy
Material of the contact carrier on the master cable side	PA
Material of contact surface, master cable side	tin-plated

## Cable/line

External cable diameter	6 mm ... 12 mm
Connection method	plug-in push-in spring connection

# SACB- 6/3-L-PTP-M8 HD - Distributor box



1197608

<https://www.phoenixcontact.com/us/products/1197608>

## Environmental and real-life conditions

### Ambient conditions

Degree of protection	IP67
Ambient temperature (operation)	-25 °C ... 80 °C

## Standards and regulations

Standard designation	M8 connector
Standards/specifications	IEC 61076-2-104

# SACB- 6/3-L-PTP-M8 HD - Distributor box

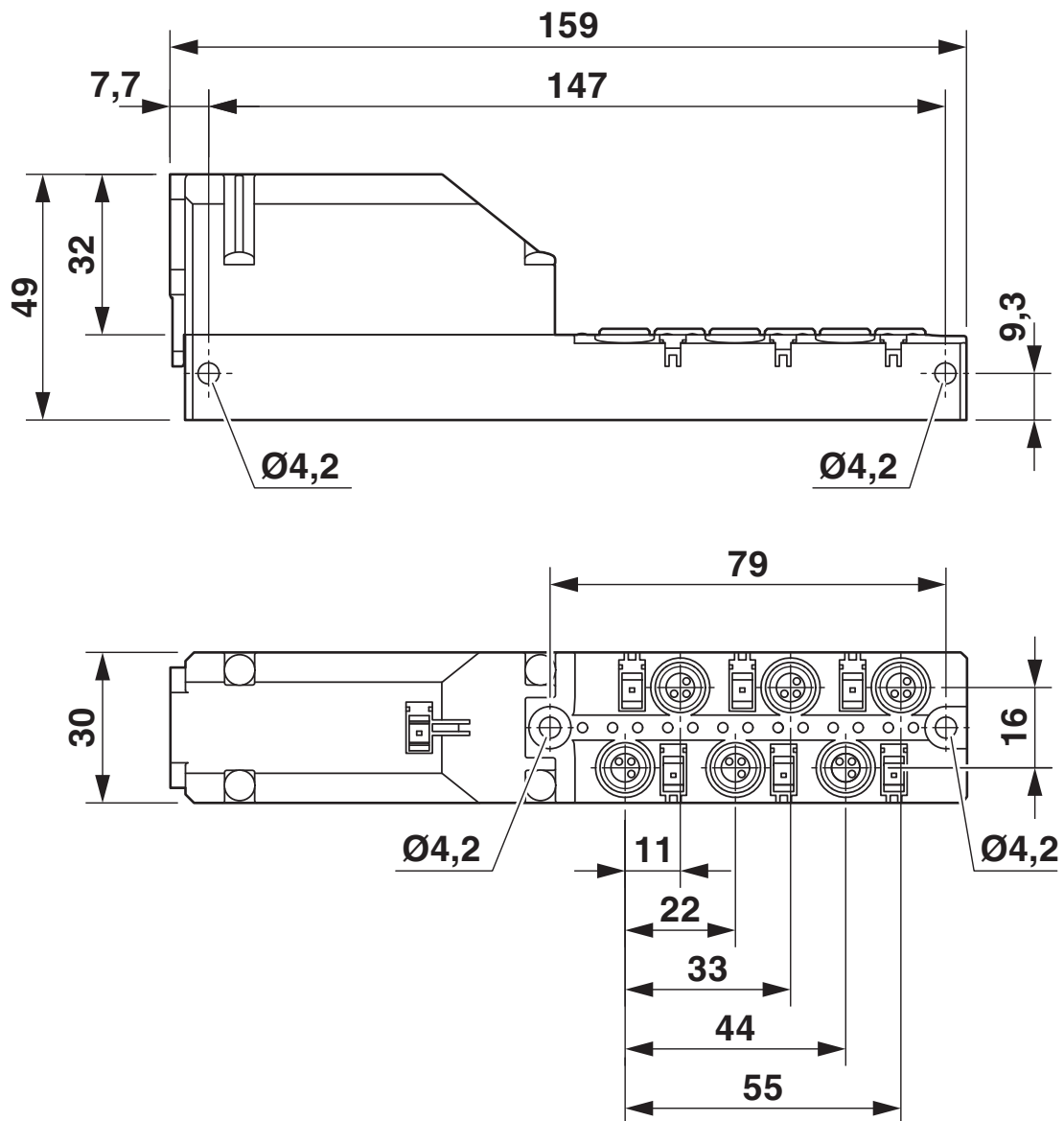


1197608

<https://www.phoenixcontact.com/us/products/1197608>

## Drawings

Dimensional drawing



# SACB- 6/3-L-PTP-M8 HD - Distributor box

1197608

<https://www.phoenixcontact.com/us/products/1197608>

Schematic diagram



M8 slot, socket, 3-pos.

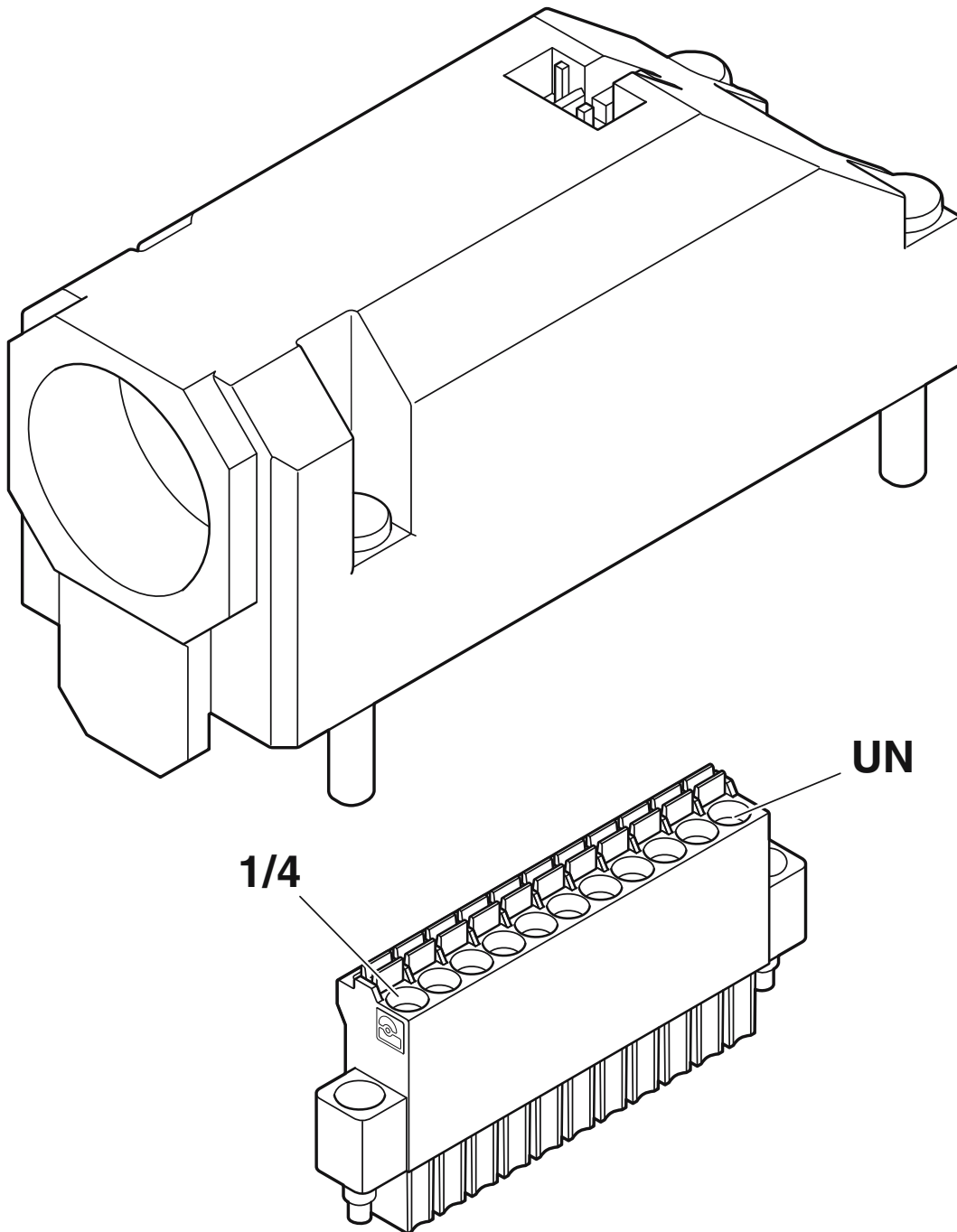
# SACB- 6/3-L-PTP-M8 HD - Distributor box



1197608

<https://www.phoenixcontact.com/us/products/1197608>

Schematic diagram



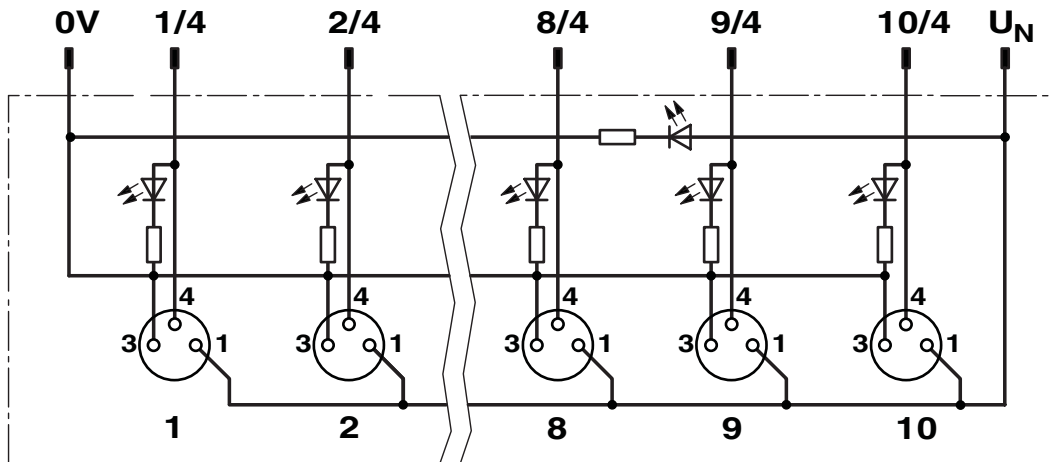
PCB connector positioning - the UN connection is on the end of the connector hood opposite the cable gland

# SACB- 6/3-L-PTP-M8 HD - Distributor box

1197608

<https://www.phoenixcontact.com/us/products/1197608>

Circuit diagram



# SACB- 6/3-L-PTP-M8 HD - Distributor box



1197608

<https://www.phoenixcontact.com/us/products/1197608>

## Classifications

### ECLASS

ECLASS-13.0	27440111
ECLASS-15.0	27440111

### ETIM

ETIM 10.0	EC003558
-----------	----------

### UNSPSC

UNSPSC 21.0	31251500
-------------	----------

# SACB- 6/3-L-PTP-M8 HD - Distributor box



1197608

<https://www.phoenixcontact.com/us/products/1197608>

## Environmental product compliance

### EU RoHS

Fulfills EU RoHS substance requirements	Yes, No exemptions
---	--------------------

### China RoHS

Environment friendly use period (EFUP)	EFUP-E
	No hazardous substances above the limits

### EU REACH SVHC

REACH candidate substance (CAS No.)	No substance above 0.1 wt%
-------------------------------------	----------------------------

Phoenix Contact 2026 © - all rights reserved  
<https://www.phoenixcontact.com>

Phoenix Contact USA  
586 Fulling Mill Road  
Middletown, PA 17057, United States  
(+717) 944-1300  
[info@phoenixcon.com](mailto:info@phoenixcon.com)