

SACB-10/3-L-M12-M8 HD - Distributor box



1197576

<https://www.phoenixcontact.com/us/products/1197576>

Please be informed that the data shown in this PDF document is generated from our online catalog. Please find the complete data in the user documentation. Our general terms of use for downloads are valid.



Distributor box, application: Standard, connection method: M8 socket Metal, number of slots: 10, number of positions: 3, coding: A, slot assignment: single, status display: yes, PNP; master cable connection: M12 plug connection 90°, shielding: no

Your advantages

- Safety in the field, thanks to molded housing and high degree of protection
- Convenient: increased machine availability thanks to quick and easy diagnostics

Commercial data

Item number	1197576
Packing unit	1 pc
Minimum order quantity	1 pc
Sales key	BF40
Product key	AF3BCB
GTIN	4063151257439
Weight per piece (including packing)	150.7 g
Weight per piece (excluding packing)	150.7 g
Customs tariff number	85444290
Country of origin	DE

SACB-10/3-L-M12-M8 HD - Distributor box



1197576

<https://www.phoenixcontact.com/us/products/1197576>

Technical data

Notes

Assembly note	NOTE: Observe the permissible bending radii when routing cables, since the degree of protection may be at risk if the bending forces are too high. Reduce mechanical loads upstream of the connector, e.g., by using cable ties.
Note on application	Unused slots are to be sealed off prior to commissioning. Suitable sealing elements are to be found under "Accessories".

Product properties

Product type	Distributor box
Application	Standard
Number of positions	3
Number of slots	10
Coding	A
LED	yes

System properties

Local diagnostics	
Monitored function	Supply voltage per module
Optical representation	Green LED

Electrical properties

Max. operating voltage U_{max}	30 V DC
Local diagnostics	Supply voltage per module Green LED
	Status display I/O Yellow LED
Nominal voltage U_N	24 V DC
Rated current, total	1 A
Max. current carrying capacity per path	1 A
Current carrying capacity per slot	1 A

Connection data

Conductor connection	
Sensor/actuator connection system	M8 socket
Tightening torque slot sensor/actuator cable	0.2 Nm
Tightening torque - master cable - plug connection	0.4 Nm
Tightening torque of mounting screw for fixing the housing	0.8 Nm

Connection assignment	
Slot/position = Wire color or connection	1 / 4 (A) = 3
	2 / 4 (A) = 4
	3 / 4 (A) = 6
	4 / 4 (A) = 8

SACB-10/3-L-M12-M8 HD - Distributor box



1197576

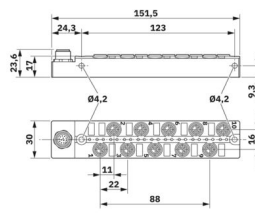
<https://www.phoenixcontact.com/us/products/1197576>

	5 / 4 (A) = 5
	6 / 4 (A) = 9
	7 / 4 (A) = 7
	8 / 4 (A) = 10
	9 / 4 (A) = 11
	10 / 4 (A) = 12
	1-10 / 1 (+24 V) = 1
	1-10 / 3 (0 V) = 2

Signaling

Status display present	yes
------------------------	-----

Dimensions

Dimensional drawing	
Width	30 mm
Height	23.6 mm
Length	151.5 mm

Material specifications

Material Threaded sleeve	Cu alloy
Material Housing	PBT
Material Molding compound	PUR
Seal material O-ring	FKM
Contact material	CuZn
Contact surface material	Ni/Au
Contact carrier material	PBT
Material of contact, master cable side	CU alloy
Material of contact surface, master cable side	gold-plated

Cable/line

Connection method	M12 plug connection
-------------------	---------------------

Environmental and real-life conditions

Ambient conditions

Degree of protection	IP67
Ambient temperature (operation) (male connector/female connector)	-25 °C ... 80 °C

Standards and regulations

SACB-10/3-L-M12-M8 HD - Distributor box



1197576

<https://www.phoenixcontact.com/us/products/1197576>

M12

Standard designation	M12 connector
Standards/specifications	IEC 61076-2-101

M8

Standard designation	M8 connector
Standards/specifications	IEC 61076-2-104

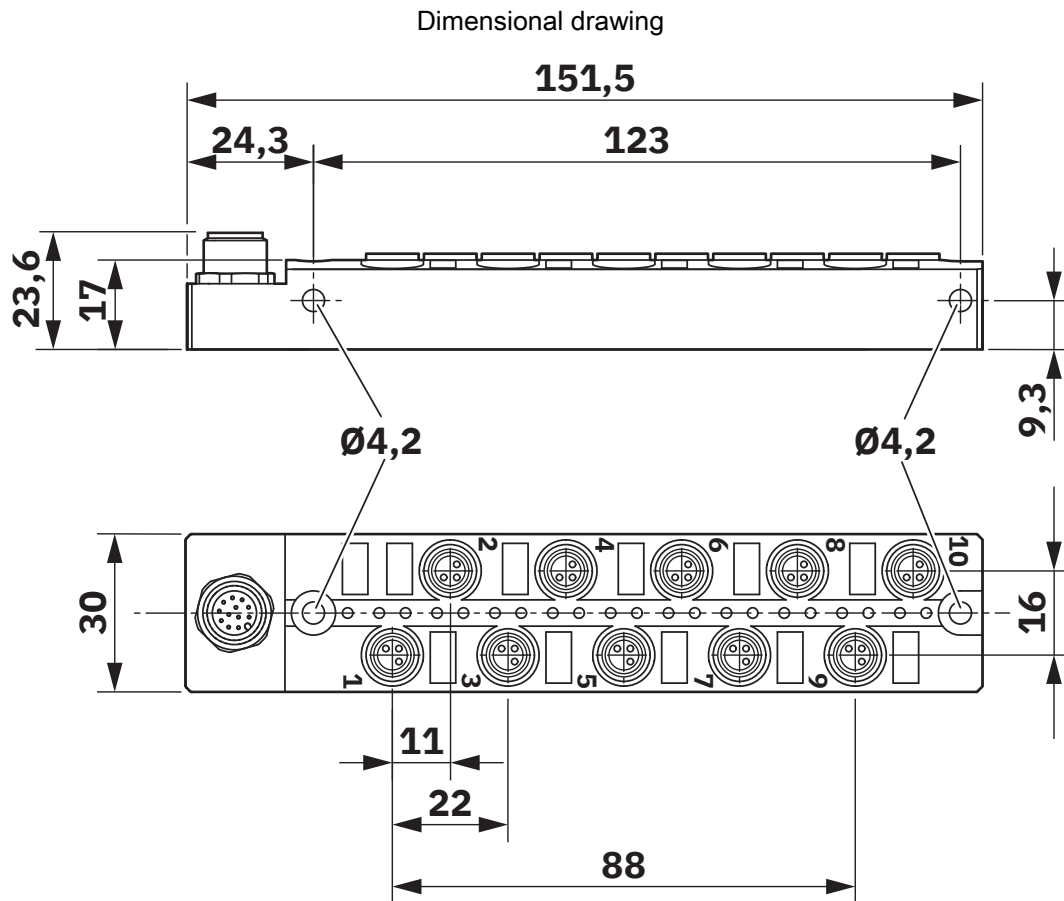
SACB-10/3-L-M12-M8 HD - Distributor box



1197576

<https://www.phoenixcontact.com/us/products/1197576>

Drawings



SACB-10/3-L-M12-M8 HD - Distributor box

1197576

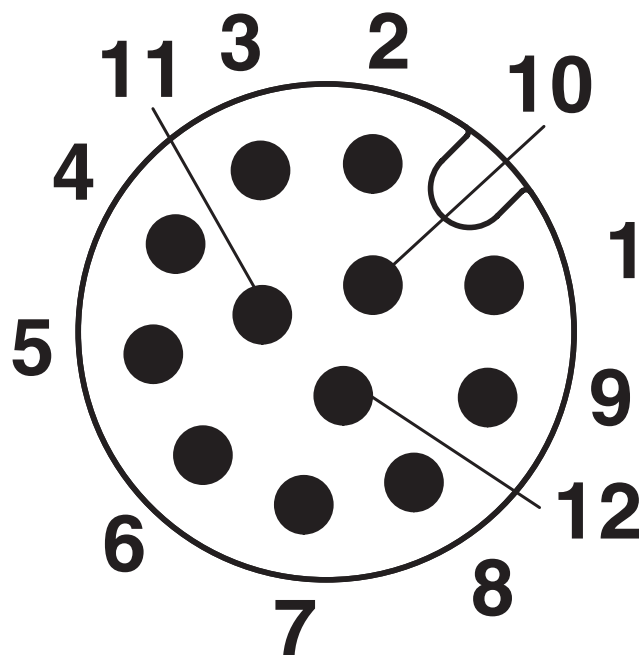
<https://www.phoenixcontact.com/us/products/1197576>

Schematic diagram



M8 slot, socket, 3-pos.

Schematic diagram



M12 plug connection pin, 12-pos.

SACB-10/3-L-M12-M8 HD - Distributor box



1197576

<https://www.phoenixcontact.com/us/products/1197576>

Circuit diagram



Further information can be found in the connection assignment section

SACB-10/3-L-M12-M8 HD - Distributor box



1197576

<https://www.phoenixcontact.com/us/products/1197576>

Classifications

ECLASS

ECLASS-13.0	27440111
ECLASS-15.0	27440111

ETIM

ETIM 10.0	EC003558
-----------	----------

UNSPSC

UNSPSC 21.0	31251500
-------------	----------

SACB-10/3-L-M12-M8 HD - Distributor box



1197576

<https://www.phoenixcontact.com/us/products/1197576>

Environmental product compliance

EU RoHS

Fulfills EU RoHS substance requirements	Yes, No exemptions
---	--------------------

China RoHS

Environment friendly use period (EFUP)	EFUP-E
	No hazardous substances above the limits

EU REACH SVHC

REACH candidate substance (CAS No.)	No substance above 0.1 wt%
-------------------------------------	----------------------------

Phoenix Contact 2026 © - all rights reserved
<https://www.phoenixcontact.com>

Phoenix Contact USA
586 Fulling Mill Road
Middletown, PA 17057, United States
(+717) 944-1300
info@phoenixcon.com