

# SACB- 4/3-L-M16-M8 HD - Distributor box



1197406

<https://www.phoenixcontact.com/us/products/1197406>

Please be informed that the data shown in this PDF document is generated from our online catalog. Please find the complete data in the user documentation. Our general terms of use for downloads are valid.



Distributor box, application: Standard, connection method: M8 socket Metal, number of slots: 4, number of positions: 3, coding: A, slot assignment: single, status display: yes, PNP; master cable connection: M16 plug connection 90°, shielding: no

## Your advantages

- Safety in the field, thanks to molded housing and high degree of protection
- Convenient: increased machine availability thanks to quick and easy diagnostics

## Commercial data

|                                      |               |
|--------------------------------------|---------------|
| Item number                          | 1197406       |
| Packing unit                         | 1 pc          |
| Minimum order quantity               | 1 pc          |
| Sales key                            | BF40          |
| Product key                          | AF3BCB        |
| GTIN                                 | 4063151256821 |
| Weight per piece (including packing) | 102 g         |
| Weight per piece (excluding packing) | 22.22 g       |
| Customs tariff number                | 85444290      |
| Country of origin                    | DE            |

# SACB- 4/3-L-M16-M8 HD - Distributor box



1197406

<https://www.phoenixcontact.com/us/products/1197406>

## Technical data

### Notes

|                     |   |
|---------------------|---|
| Assembly note       | <b>NOTE:</b> Observe the permissible bending radii when routing cables, since the degree of protection may be at risk if the bending forces are too high. Reduce mechanical loads upstream of the connector, e.g., by using cable ties. |
| Note on application | Unused slots are to be sealed off prior to commissioning. Suitable sealing elements are to be found under "Accessories".  |

### Product properties

|                     |                 |
|---------------------|-----------------|
| Product type        | Distributor box |
| Application         | Standard        |
| Number of positions | 3               |
| Number of slots     | 4               |
| Coding              | A               |
| LED                 | yes             |

### System properties

#### Local diagnostics

|                        |                           |
|------------------------|---------------------------|
| Monitored function     | Supply voltage per module |
| Optical representation | Green LED                 |

### Electrical properties

|   |                                     |
|---|-------------------------------------|
| Max. operating voltage $U_{max}$        | 30 V DC                             |
| Local diagnostics                       | Supply voltage per module Green LED |
|   | Status display I/O Yellow LED       |
| Nominal voltage $U_N$                   | 24 V DC                             |
| Rated current, total                    | 6 A                                 |
| Max. current carrying capacity per path | 2 A                                 |
| Current carrying capacity per slot      | 2 A                                 |

### Connection data

#### Conductor connection

|  |           |
|--|-----------|
| Sensor/actuator connection system                          | M8 socket |
| Tightening torque slot sensor/actuator cable               | 0.2 Nm    |
| Tightening torque - master cable - plug connection         | 1.5 Nm    |
| Tightening torque of mounting screw for fixing the housing | 0.8 Nm    |

#### Connection assignment

|  |               |
|--|---------------|
| Slot/position = Wire color or connection | 1 / 4 (A) = P |
|  | 2 / 4 (A) = J |
|  | 3 / 4 (A) = T |
|  | 4 / 4 (A) = S |

# SACB- 4/3-L-M16-M8 HD - Distributor box



1197406

<https://www.phoenixcontact.com/us/products/1197406>

|  |                        |
|--|------------------------|
|  | 1-4 / 1 (+ 24 V) = A+M |
|  | 1-4 / 3 (0 V) = L+U    |

## Signaling

|                        |     |
|------------------------|-----|
| Status display present | yes |
|------------------------|-----|

## Dimensions

|                     |         |
|---------------------|---------|
| Dimensional drawing |         |
| Width               | 30 mm   |
| Height              | 27 mm   |
| Length              | 90.4 mm |

## Material specifications

|  |          |
|--|----------|
| Material Threaded sleeve               | Cu alloy |
| Material Housing                       | PBT      |
| Material Molding compound              | PUR      |
| Seal material O-ring                   | FKM      |
| Contact material                       | CuZn     |
| Contact surface material               | Ni/Au    |
| Contact carrier material               | PBT      |
| Material of contact, master cable side | CU alloy |

## Cable/line

|                   |                     |
|-------------------|---------------------|
| Connection method | M16 plug connection |
|-------------------|---------------------|

## Environmental and real-life conditions

### Ambient conditions

|                                 |                  |
|---------------------------------|------------------|
| Degree of protection            | IP67             |
| Ambient temperature (operation) | -20 °C ... 80 °C |

## Standards and regulations

|                          |                 |
|--------------------------|-----------------|
| Standard designation     | M8 connector    |
| Standards/specifications | IEC 61076-2-104 |

# SACB- 4/3-L-M16-M8 HD - Distributor box

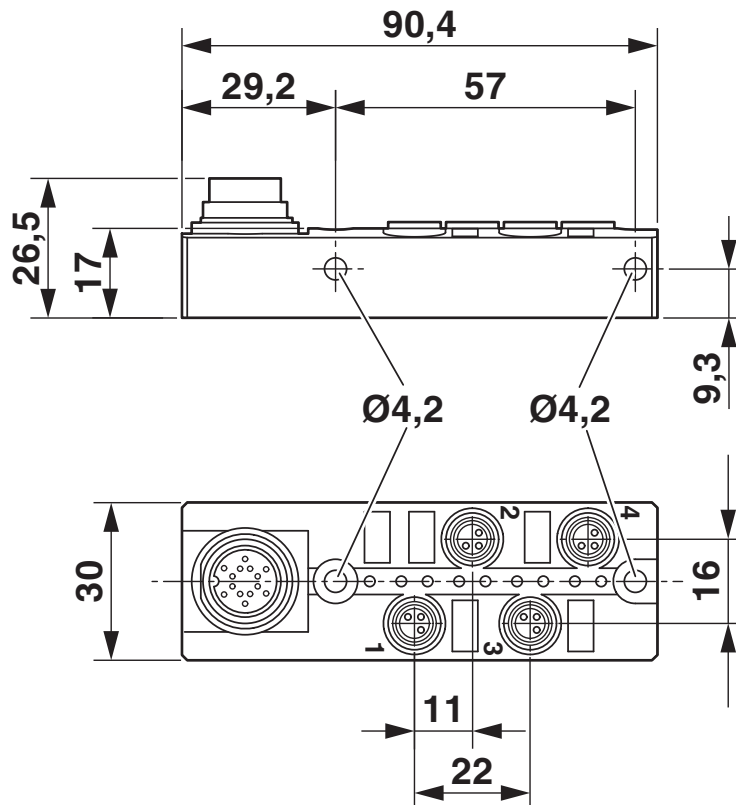
1197406

<https://www.phoenixcontact.com/us/products/1197406>



## Drawings

Dimensional drawing

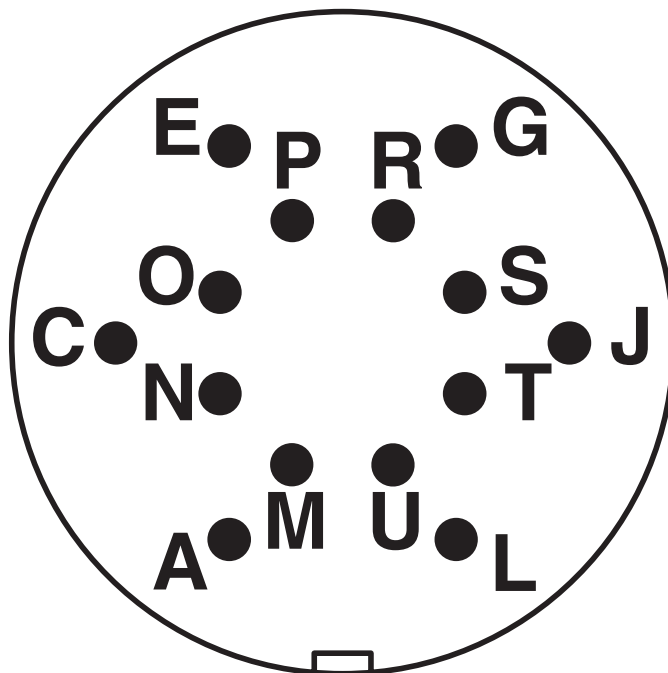


Schematic diagram



M8 slot, socket, 3-pos.

Schematic diagram



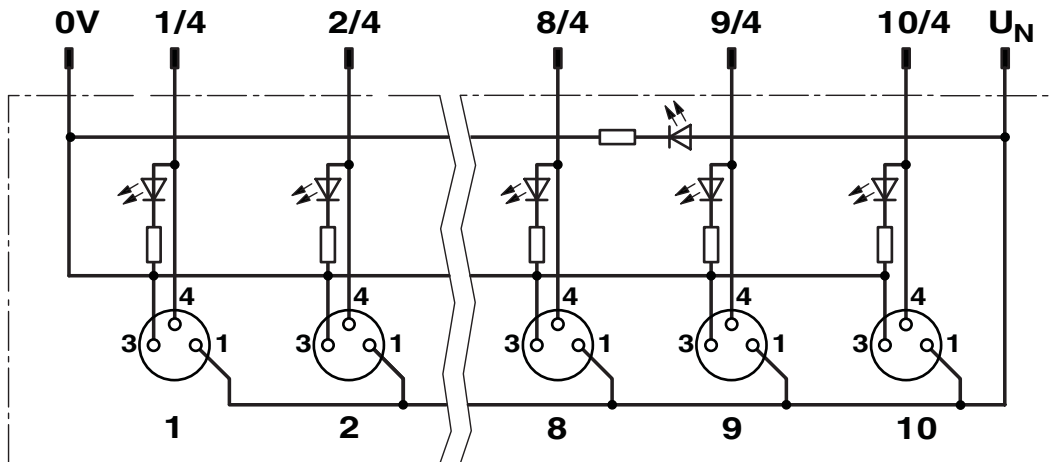
M16 plug connection pin, 14-pos.

# SACB- 4/3-L-M16-M8 HD - Distributor box

1197406

<https://www.phoenixcontact.com/us/products/1197406>

Circuit diagram



Further information can be found in the connection assignment section

# SACB- 4/3-L-M16-M8 HD - Distributor box



1197406

<https://www.phoenixcontact.com/us/products/1197406>

## Classifications

### ECLASS

|             |          |
|-------------|----------|
| ECLASS-13.0 | 27440111 |
| ECLASS-15.0 | 27440111 |

### ETIM

|           |          |
|-----------|----------|
| ETIM 10.0 | EC003558 |
|-----------|----------|

### UNSPSC

|             |          |
|-------------|----------|
| UNSPSC 21.0 | 31251500 |
|-------------|----------|

# SACB- 4/3-L-M16-M8 HD - Distributor box



1197406

<https://www.phoenixcontact.com/us/products/1197406>

## Environmental product compliance

### EU RoHS

|   |                    |
|---|--------------------|
| Fulfills EU RoHS substance requirements | Yes, No exemptions |
|---|--------------------|

### China RoHS

|  |  |
|--|--|
| Environment friendly use period (EFUP) | EFUP-E                                   |
|  | No hazardous substances above the limits |

### EU REACH SVHC

|                                     |                            |
|-------------------------------------|----------------------------|
| REACH candidate substance (CAS No.) | No substance above 0.1 wt% |
|-------------------------------------|----------------------------|

Phoenix Contact 2026 © - all rights reserved  
<https://www.phoenixcontact.com>

Phoenix Contact USA  
586 Fulling Mill Road  
Middletown, PA 17057, United States  
(+717) 944-1300  
[info@phoenixcon.com](mailto:info@phoenixcon.com)