

# NBC-M12MS/ 5,0-94L - Network cable



1192129

<https://www.phoenixcontact.com/us/products/1192129>

Please be informed that the data shown in this PDF document is generated from our online catalog. Please find the complete data in the user documentation. Our general terms of use for downloads are valid.



Network cable, Ethernet CAT5e (1 Gbps), 8-position, TPE, highly flexible, turquoise, Plug straight M12, coding: A / IP65, on free cable end, cable length: 5 m

## Commercial data

Item number	1192129
Packing unit	1 pc
Minimum order quantity	1 pc
Note	Made to order (non-returnable)
Sales key	BF15
Product key	AF1IHD
GTIN	4063151344016
Weight per piece (including packing)	342 g
Weight per piece (excluding packing)	22.22 g
Customs tariff number	85444290
Country of origin	US

# NBC-M12MS/ 5,0-94L - Network cable



1192129

<https://www.phoenixcontact.com/us/products/1192129>

## Technical data

### Product properties

Product type	Data cable preassembled
Application	Standard, U.S. cables
Number of positions	8
Shielded	yes
Coding	A

### Interfaces

Bus system	Ethernet
Signal type/category	Ethernet CAT5e, 1 Gbps

### Signaling

Status display	no
Status display present	no

### Electrical properties

Nominal voltage $U_N$	48 V AC
	60 V DC
Nominal current $I_N$	2 A (Plug/socket in accordance with IEC 61076-2-101, cable technical data is to be observed)
Transmission medium	Copper
Transmission speed	1 Gbps

### Connector

#### Connection 1

Type	Plug straight M12 / IP65
Coding type	A (Standard)
Material	CuZn (Contact)
	Ni/Au (Contact surface)
	TPU GF (Contact carrier)
	TPU, hardly inflammable, self-extinguishing (Grip body)
	Zinc die-cast, nickel-plated (Screw connection)
Degree of protection	IP65

#### Connection 2

Type	free cable end
------	----------------

### Cable/line

Cable length	5 m
--------------	-----

Highly flexible Ethernet CAT5e [94L]

# NBC-M12MS/ 5,0-94L - Network cable



1192129

<https://www.phoenixcontact.com/us/products/1192129>

Dimensional drawing	
UL AWM Style	2463 (80 °C / 600 V)
Number of positions	8
Shielded	yes
Cable type	Highly flexible Ethernet CAT5e [94L]
Conductor structure	4x2xAWG24/7; SF/UTP
Conductor structure signal line	7x 0.20 mm (7x32)
AWG signal line	24
Conductor cross-section	4x 2x 0.2 mm <sup>2</sup>
Wire diameter incl. insulation	1.2 mm
External cable diameter	7.40 mm ±0.25 mm
Outer sheath, material	TPE
External sheath, color	turquoise
Conductor material	Tin-plated Cu litz wires
Material wire insulation	PE
Single wire, color	white/blue-blue, white/orange-orange, white/green-green, white/brown-brown
Twisted pairs	2 cores to the pair
Overall twist	4 pairs for core
Optical shield covering	75 %
Wave impedance	100 Ω ±15 Ω (at 100 MHz)
Cable impedance	100 Ω ±15 Ω (at 1 ... 100 MHz)
Nominal voltage, cable	600 V
Test voltage	2000 V
Dynamic load capacity (bending)	Max. bending cycles: 1000000, Bending radius: 10 x D, Traversing path: 0.23 m, Traversing rate: 1.5 m/s, Acceleration: 20.5 m/s <sup>2</sup> Max. bending cycles: 10000000, Bending radius: 20 X D (126 cycles/min. at 20 °C)
Dynamic load capacity (torsion)	Torsion: 360 °/m (1 lb. load), Torsion cycles: 4800000, Torsional frequency: 71 cycles/min, Ambient temperature (operation): 20 °C
Near end crosstalk attenuation (NEXT)	50 dB (with 100 MHz (IEC 62153-4-9))
Return attenuation (RL)	20 dB (at 10 MHz (+6LOG)) 26 dB (at 20 MHz) 26 dB (at 100 MHz (-5LOG))
Flame resistance	VW-1
Other resistance	Resistant to welding splashes (Abrasion and oil resistance)

# NBC-M12MS/ 5,0-94L - Network cable



1192129

<https://www.phoenixcontact.com/us/products/1192129>

	UV resistant (CMX outdoor)
Ambient temperature (operation)	-40 °C ... 80 °C (Cable, flexible installation)

## Environmental and real-life conditions

### Ambient conditions

Degree of protection	IP65
	IP65
Ambient temperature (operation) (male connector/female connector)	-25 °C ... 85 °C (M12 connector)

## Standards and regulations

### M12

Standard designation	M12 connector
Standards/specifications	IEC 61076-2-101

Drawings

Dimensional drawing



Plug, M12 x 1, straight, shielded

Schematic diagram

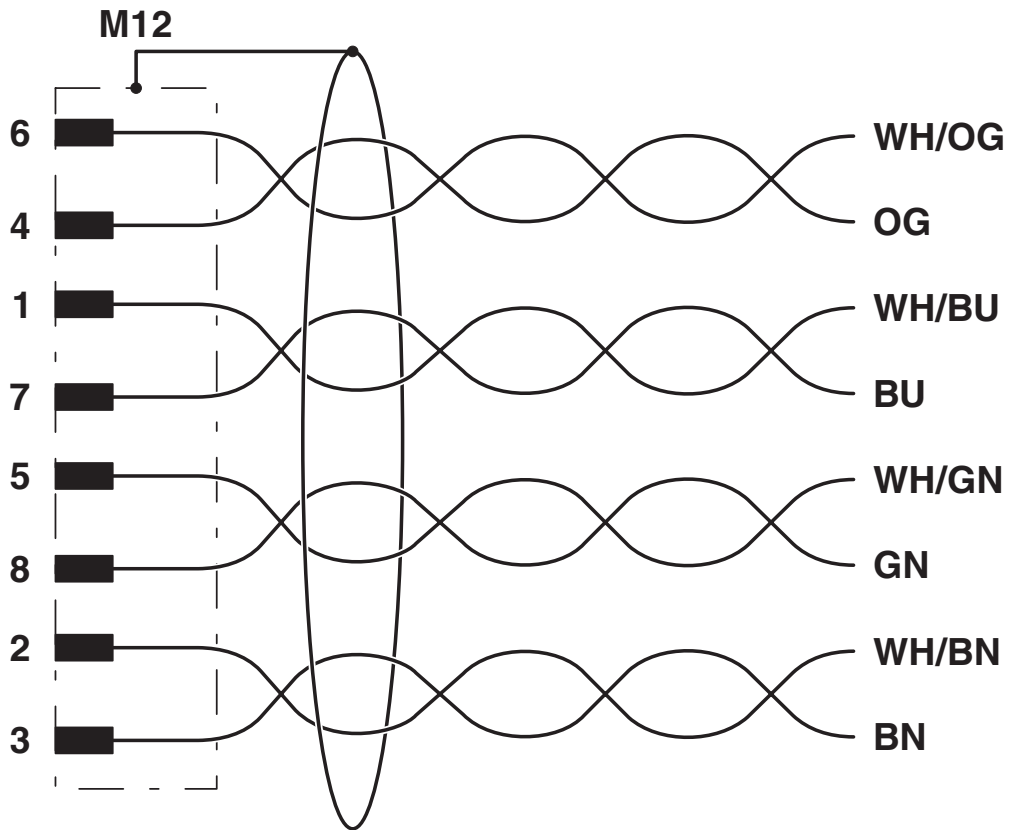


Pin assignment M12 plug, 8-pos., A-coded, view plug side

1192129

<https://www.phoenixcontact.com/us/products/1192129>

Circuit diagram



Contact assignment of the M12 plug

# NBC-M12MS/ 5,0-94L - Network cable




1192129

<https://www.phoenixcontact.com/us/products/1192129>

## Approvals

To download certificates, visit the product detail page: <https://www.phoenixcontact.com/us/products/1192129>

 <b>cUL Recognized</b> Approval ID: File E335024				
	Nominal voltage $U_N$	Nominal current $I_N$	Cross section AWG	Cross section $\text{mm}^2$
keine				
	60 V	1.5 A	-	-

 <b>UL Recognized</b> Approval ID: File E335024				
	Nominal voltage $U_N$	Nominal current $I_N$	Cross section AWG	Cross section $\text{mm}^2$
keine				
	60 V	1.5 A	-	-

# NBC-M12MS/ 5,0-94L - Network cable



1192129

<https://www.phoenixcontact.com/us/products/1192129>

## Classifications

### ECLASS

ECLASS-13.0	27060307
ECLASS-15.0	27060307

### UNSPSC

UNSPSC 21.0	26121600
-------------	----------

1192129

<https://www.phoenixcontact.com/us/products/1192129>

## Environmental product compliance

### EU RoHS

Fulfills EU RoHS substance requirements	Yes, No exemptions
---	--------------------

### China RoHS

Environment friendly use period (EFUP)	EFUP-E
	No hazardous substances above the limits

### EU REACH SVHC

REACH candidate substance (CAS No.)	bis(2-ethylhexyl) tetrabromophthalate covering any of the individual isomers and/or combinations thereof(CAS: 26040-51-7)
-------------------------------------	---

### EF3.1 Climate Change

CO2e kg	5.813 kg CO2e
---------	---------------

Phoenix Contact 2026 © - all rights reserved  
<https://www.phoenixcontact.com>

Phoenix Contact USA  
586 Fulling Mill Road  
Middletown, PA 17057, United States  
(+717) 944-1300  
[info@phoenixcon.com](mailto:info@phoenixcon.com)