

NBC-M12MS/10,0-94L - Network cable



1192128

<https://www.phoenixcontact.com/us/products/1192128>

Please be informed that the data shown in this PDF document is generated from our online catalog. Please find the complete data in the user documentation. Our general terms of use for downloads are valid.



Network cable, Ethernet CAT5e (1 Gbps), 8-position, TPE, highly flexible, turquoise, Plug straight M12, coding: A / IP65, on free cable end, cable length: 10 m

Commercial data

| | |
|--------------------------------------|--------------------------------|
| Item number | 1192128 |
| Packing unit | 1 pc |
| Minimum order quantity | 1 pc |
| Note | Made to order (non-returnable) |
| Sales key | BF15 |
| Product key | AF1IHD |
| GTIN | 4063151344023 |
| Weight per piece (including packing) | 22.22 g |
| Weight per piece (excluding packing) | 22.22 g |
| Customs tariff number | 85444290 |
| Country of origin | US |

NBC-M12MS/10,0-94L - Network cable



1192128

<https://www.phoenixcontact.com/us/products/1192128>

Technical data

Product properties

| | |
|---------------------|-------------------------|
| Product type | Data cable preassembled |
| Application | Standard, U.S. cables |
| Number of positions | 8 |
| Shielded | yes |
| Coding | A |

Interfaces

| | |
|----------------------|------------------------|
| Bus system | Ethernet |
| Signal type/category | Ethernet CAT5e, 1 Gbps |

Signaling

| | |
|------------------------|----|
| Status display | no |
| Status display present | no |

Electrical properties

| | |
|-----------------------|--|
| Nominal voltage U_N | 48 V AC |
| | 60 V DC |
| Nominal current I_N | 2 A (Plug/socket in accordance with IEC 61076-2-101, cable technical data is to be observed) |
| Transmission medium | Copper |
| Transmission speed | 1 Gbps |

Connector

Connection 1

| | |
|----------------------|---|
| Type | Plug straight M12 / IP65 |
| Coding type | A (Standard) |
| Material | CuZn (Contact) |
| | Ni/Au (Contact surface) |
| | TPU GF (Contact carrier) |
| | TPU, hardly inflammable, self-extinguishing (Grip body) |
| | Zinc die-cast, nickel-plated (Screw connection) |
| Degree of protection | IP65 |

Connection 2

| | |
|------|----------------|
| Type | free cable end |
|------|----------------|

Cable/line

| | |
|--------------|------|
| Cable length | 10 m |
|--------------|------|


Highly flexible Ethernet CAT5e [94L]

NBC-M12MS/10,0-94L - Network cable



1192128

<https://www.phoenixcontact.com/us/products/1192128>

| | |
|---------------------------------------|--|
| Dimensional drawing |  |
| UL AWM Style | 2463 (80 °C / 600 V) |
| Number of positions | 8 |
| Shielded | yes |
| Cable type | Highly flexible Ethernet CAT5e [94L] |
| Conductor structure | 4x2xAWG24/7; SF/UTP |
| Conductor structure signal line | 7x 0.20 mm (7x32) |
| AWG signal line | 24 |
| Conductor cross-section | 4x 2x 0.2 mm ² |
| Wire diameter incl. insulation | 1.2 mm |
| External cable diameter | 7.40 mm ±0.25 mm |
| Outer sheath, material | TPE |
| External sheath, color | turquoise |
| Conductor material | Tin-plated Cu litz wires |
| Material wire insulation | PE |
| Single wire, color | white/blue-blue, white/orange-orange, white/green-green, white/brown-brown |
| Twisted pairs | 2 cores to the pair |
| Overall twist | 4 pairs for core |
| Optical shield covering | 75 % |
| Wave impedance | 100 Ω ±15 Ω (at 100 MHz) |
| Cable impedance | 100 Ω ±15 Ω (at 1 ... 100 MHz) |
| Nominal voltage, cable | 600 V |
| Test voltage | 2000 V |
| Dynamic load capacity (bending) | Max. bending cycles: 1000000, Bending radius: 10 x D, Traversing path: 0.23 m, Traversing rate: 1.5 m/s, Acceleration: 20.5 m/s ² Max. bending cycles: 10000000, Bending radius: 20 X D (126 cycles/min. at 20 °C) |
| Dynamic load capacity (torsion) | Torsion: 360 °/m (1 lb. load), Torsion cycles: 4800000, Torsional frequency: 71 cycles/min, Ambient temperature (operation): 20 °C |
| Near end crosstalk attenuation (NEXT) | 50 dB (with 100 MHz (IEC 62153-4-9)) |
| Return attenuation (RL) | 20 dB (at 10 MHz (+6LOG)) 26 dB (at 20 MHz) 26 dB (at 100 MHz (-5LOG)) |
| Flame resistance | VW-1 |
| Other resistance | Resistant to welding splashes (Abrasion and oil resistance) |

NBC-M12MS/10,0-94L - Network cable



1192128

<https://www.phoenixcontact.com/us/products/1192128>

| | |
|---------------------------------|---|
| | UV resistant (CMX outdoor) |
| Ambient temperature (operation) | -40 °C ... 80 °C (Cable, flexible installation) |

Environmental and real-life conditions

Ambient conditions

| | |
|---|----------------------------------|
| Degree of protection | IP65 |
| | IP65 |
| Ambient temperature (operation) (male connector/female connector) | -25 °C ... 85 °C (M12 connector) |

Standards and regulations

M12

| | |
|--------------------------|-----------------|
| Standard designation | M12 connector |
| Standards/specifications | IEC 61076-2-101 |

Drawings

Dimensional drawing



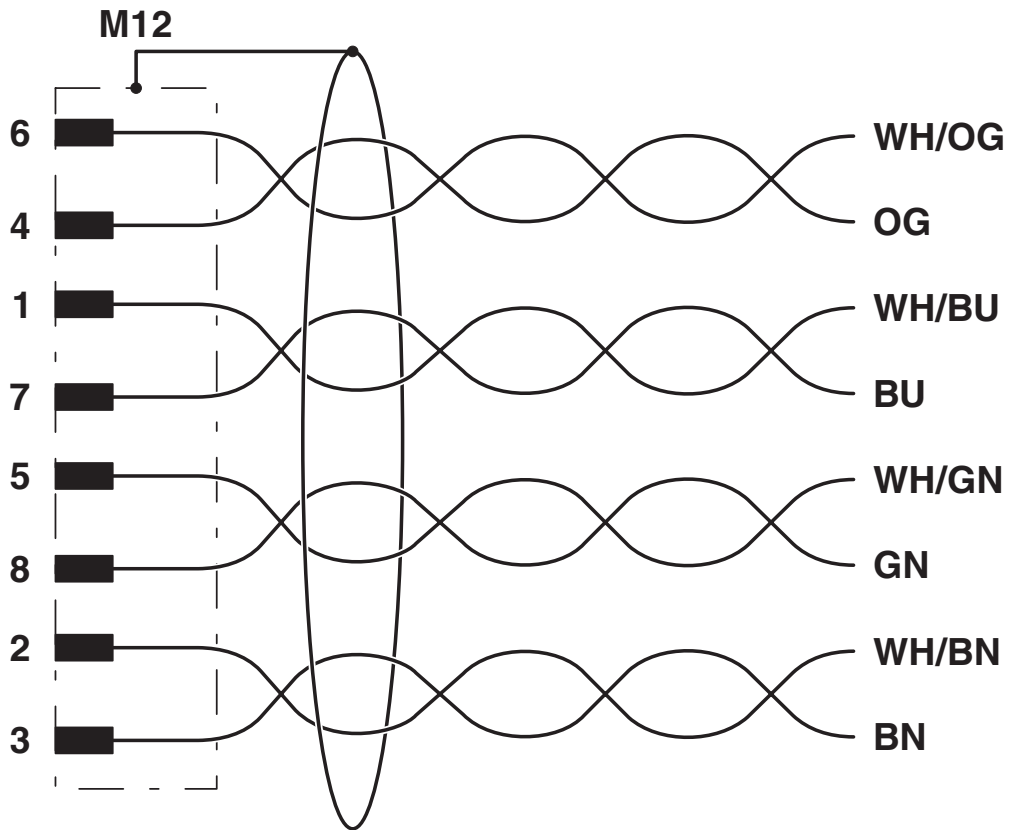
Plug, M12 x 1, straight, shielded

Schematic diagram



Pin assignment M12 plug, 8-pos., A-coded, view plug side

Circuit diagram



Contact assignment of the M12 plug

NBC-M12MS/10,0-94L - Network cable




1192128

<https://www.phoenixcontact.com/us/products/1192128>

Approvals

To download certificates, visit the product detail page: <https://www.phoenixcontact.com/us/products/1192128>

|  cUL Recognized Approval ID: File E335024 | | | | |
|--|-----------------------|-----------------------|-------------------|-----------------------------|
| | Nominal voltage U_N | Nominal current I_N | Cross section AWG | Cross section mm^2 |
| keine | | | | |
| | 60 V | 1.5 A | - | - |

|  UL Recognized Approval ID: File E335024 | | | | |
|---|-----------------------|-----------------------|-------------------|-----------------------------|
| | Nominal voltage U_N | Nominal current I_N | Cross section AWG | Cross section mm^2 |
| keine | | | | |
| | 60 V | 1.5 A | - | - |

NBC-M12MS/10,0-94L - Network cable



1192128

<https://www.phoenixcontact.com/us/products/1192128>

Classifications

ECLASS

| | |
|-------------|----------|
| ECLASS-13.0 | 27060307 |
| ECLASS-15.0 | 27060307 |

UNSPSC

| | |
|-------------|----------|
| UNSPSC 21.0 | 26121600 |
|-------------|----------|

NBC-M12MS/10,0-94L - Network cable



1192128

<https://www.phoenixcontact.com/us/products/1192128>

Environmental product compliance

EU RoHS

| | |
|---|--------------------|
| Fulfills EU RoHS substance requirements | Yes, No exemptions |
|---|--------------------|

China RoHS

| | |
|--|--|
| Environment friendly use period (EFUP) | EFUP-E |
| | No hazardous substances above the limits |

EU REACH SVHC

| | |
|-------------------------------------|---|
| REACH candidate substance (CAS No.) | bis(2-ethylhexyl) tetrabromophthalate covering any of the individual isomers and/or combinations thereof(CAS: 26040-51-7) |
|-------------------------------------|---|

EF3.1 Climate Change

| | |
|---------|----------------|
| CO2e kg | 10.994 kg CO2e |
|---------|----------------|

Phoenix Contact 2026 © - all rights reserved
<https://www.phoenixcontact.com>

Phoenix Contact USA
586 Fulling Mill Road
Middletown, PA 17057, United States
(+717) 944-1300
info@phoenixcon.com