

PSD-S IOL - Connection element



1191993

<https://www.phoenixcontact.com/us/products/1191993>

Please be informed that the data shown in this PDF document is generated from our online catalog. Please find the complete data in the user documentation. Our general terms of use for downloads are valid.

IO-Link device for modular signal towers



Product description

The IO-Link device is intended to be part of a modular signal tower. This is used for issuing digital signals for controlling the modular 70 mm signal elements. The IO-Link device is connected to an IO-Link master via an IO-Link A port. Use within different networks is possible via the IO-Link master. You can assemble a signal tower corresponding to your requirements by combining one IO-Link device with a maximum of five further elements in any way. Only use the IO-Link device as the lowest element on a connection element. Set up to a maximum of five optical signal elements or up to four optical and one audible signal element. Only use an audible signal element as the top element. A bayonet locking system establishes the mechanical and electrical connection between the elements. Connection elements with spring-cage connection can be used for electrical connection of the signal tower. Various accessories are available to assemble the signal tower.

Your advantages

- IO-Link A port
- IO-Link specification V1.1.1
- Tool-free element changeover
- Can be freely combined
- Low power consumption
- Degree of protection IP65

Commercial data

Item number	1191993
Packing unit	1 pc
Minimum order quantity	1 pc
Sales key	DR07
Product key	DRL11Z
GTIN	4063151244217
Weight per piece (including packing)	77 g
Weight per piece (excluding packing)	77 g
Customs tariff number	85318070
Country of origin	DE

PSD-S IOL - Connection element

1191993

<https://www.phoenixcontact.com/us/products/1191993>

Technical data

Notes

Note on application

Note on application	Only for industrial use
---------------------	-------------------------

Product properties

Product type	Assembly element
Product family	PSD-S

Electrical properties

General

Input voltage	24 V DC
Current consumption	typ. 335 mA

Supply: IO-Link

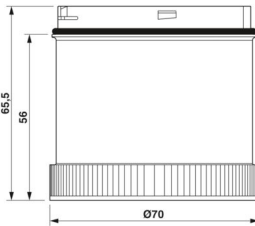
Nominal voltage for I/O supply	24 V DC
--------------------------------	---------

Input data

IO-Link

Number of ports	1
Cycle Time	min. 5 ms

Dimensions

Dimensional drawing	
Height	65.5 mm
Diameter	70 mm

Material specifications

Color	black
Material	Polycarbonate PC

Environmental and real-life conditions

Ambient conditions

Degree of protection	IP65 (when installed or with end cover)
Ambient temperature (operation)	-30 °C ... 60 °C

PSD-S IOL - Connection element



1191993

<https://www.phoenixcontact.com/us/products/1191993>

Mounting

Mounting type

Plug-in mounting

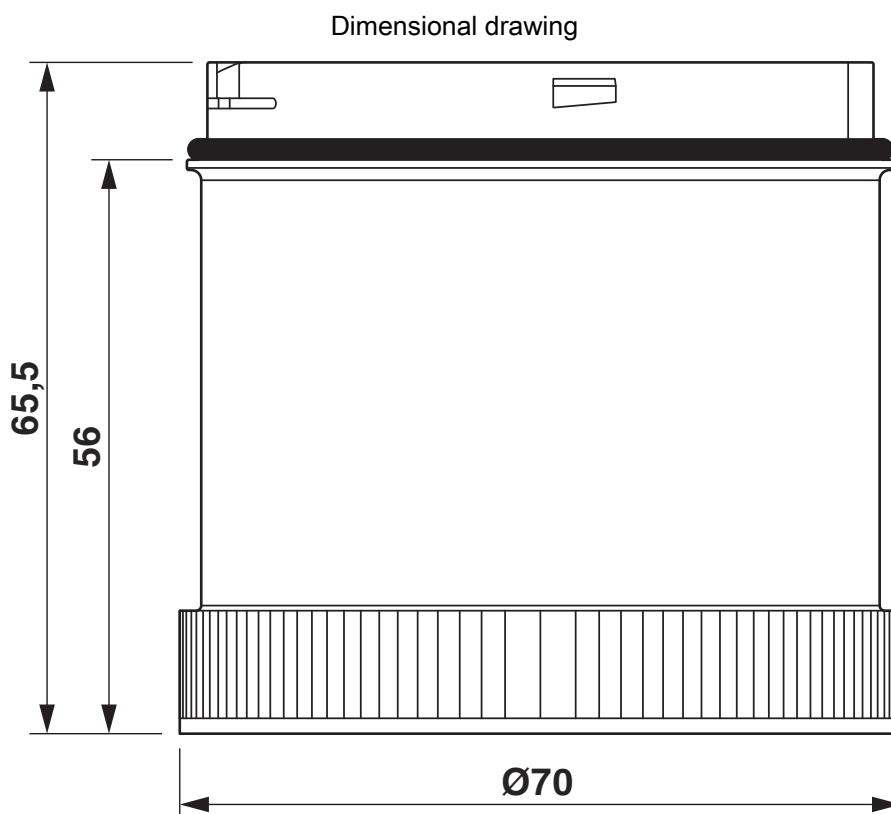
PSD-S IOL - Connection element

1191993

<https://www.phoenixcontact.com/us/products/1191993>



Drawings



PSD-S IOL - Connection element



1191993

<https://www.phoenixcontact.com/us/products/1191993>

Approvals

To download certificates, visit the product detail page: <https://www.phoenixcontact.com/us/products/1191993>



cULus Listed

Approval ID: E123528

PSD-S IOL - Connection element



1191993

<https://www.phoenixcontact.com/us/products/1191993>

Classifications

ECLASS

ECLASS-13.0	27371232
ECLASS-15.0	27371232

ETIM

ETIM 10.0	EC001152
-----------	----------

UNSPSC

UNSPSC 21.0	46171600
-------------	----------

1191993

<https://www.phoenixcontact.com/us/products/1191993>

Environmental product compliance

EU RoHS

Fulfills EU RoHS substance requirements	Yes
Exemption	6(a)-I, 7(a), 7(c)-I

China RoHS

Environment friendly use period (EFUP)	EFUP-50
	An article-related China RoHS declaration table can be found in the download area for the respective article under "Manufacturer declaration". For all articles with EFUP-E, no China RoHS declaration table issued and required.

EU REACH SVHC

REACH candidate substance (CAS No.)	Lead(CAS: 7439-92-1)
SCIP	559fa8c0-a6b3-4165-89e3-1ec60072b370

Phoenix Contact 2026 © - all rights reserved

<https://www.phoenixcontact.com>

Phoenix Contact USA
586 Fulling Mill Road
Middletown, PA 17057, United States
(+717) 944-1300
info@phoenixcon.com