

# BXT-4XS-SEC-T3-120+2X2-24AC - Surge protection device



1191888

<https://www.phoenixcontact.com/us/products/1191888>

Please be informed that the data shown in this PDF document is generated from our online catalog. Please find the complete data in the user documentation. Our general terms of use for downloads are valid.



Wall-mounted NEMA 4/4X (IP66) 316L stainless steel enclosure with surge protection for 120 V AC/DC power and two 24 V AC loops with 28 V AC/40 V DC MCOV

## Your advantages

- Eligible for limited lifetime warranty (in some U.S. markets)
- Customizable: expand base unit with SPDs to suit your application
- Polycarbonate and 316L stainless steel enclosures available
- UL 1449 Listed SPD
- Single solution for power, data, and signal in one enclosure

## Commercial data

Item number	1191888
Packing unit	1 pc
Minimum order quantity	1 pc
Sales key	CL20
Product key	CL1481
GTIN	4063151244040
Weight per piece (including packing)	3,460 g
Weight per piece (excluding packing)	3.36 g
Country of origin	DE

# BXT-4XS-SEC-T3-120+2X2-24AC - Surge protection device



1191888

<https://www.phoenixcontact.com/us/products/1191888>

## Set consists of

### PLT-SEC-T3-120-FM-UT - Type 3 surge protection device

2907918

<https://www.phoenixcontact.com/us/products/2907918>



Type 2/3 surge protection, consisting of protective plug and base element, with integrated status indicator and remote signaling for single-phase power supply networks. Nominal voltage: 120 V AC/DC

---

### PT 2X2-24AC-ST - Surge protection plug

2838283

<https://www.phoenixcontact.com/us/products/2838283>



PT protective connector with protective circuit for two 2-wire floating signal circuits. 24 V AC nominal voltage. HART-compatible.

# BXT-4XS-SEC-T3-120+2X2-24AC - Surge protection device



1191888

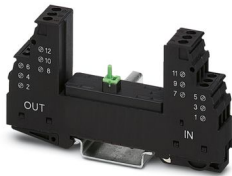
<https://www.phoenixcontact.com/us/products/1191888>

## PT 2X2+F-BE - Surge protection base-element

2839224

<https://www.phoenixcontact.com/us/products/2839224>

Base element for protective plug PT with protective circuit for two 2-wire floating signal circuit, gas-filled surge arrester between the connections 3-4 (GND) and 9-10, for mounting on NS 35/7.5 and NS 35/15, housing width: 17.5 mm



# BXT-4XS-SEC-T3-120+2X2-24AC - Surge protection device



1191888

<https://www.phoenixcontact.com/us/products/1191888>

## Technical data

### Notes

#### Trade restriction

CE note	The products are offered exclusively for export outside the EU and the European Economic Area.
---------	--

### Product properties

Product type	Surge protection for NEMA power supply units
Type	DIN rail module, two-section, divisible
Surge protection fault message	optical
EN type	T2 / T3
Number of ports	One

### Electrical properties

Nominal voltage $U_N$	120 V AC (Power)
	24 V AC (Signal)

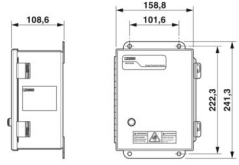
#### Indicator/remote signaling

Connection name	Remote fault indicator contact
Switching function	Changeover contact

### Connection data

Screw thread	M3
Tightening torque, min	0.5 Nm
Conductor cross-section flexible min.	0.2 mm <sup>2</sup>
Conductor cross-section flexible max.	2.5 mm <sup>2</sup>
Conductor cross-section, rigid min.	0.2 mm <sup>2</sup>
Conductor cross-section, rigid max.	4 mm <sup>2</sup>
Connection method	Screw connection
Screw thread	M3

### Dimensions

Dimensional drawing	
Width	152 mm
Height	203 mm
Depth	102 mm

### Material specifications

# BXT-4XS-SEC-T3-120+2X2-24AC - Surge protection device



1191888

<https://www.phoenixcontact.com/us/products/1191888>

Color	Steel/stainless steel color
Housing material	Stainless steel, 316L, electropolished

## Protective circuit

### Power supplies

Direction of action	L/N-PE & Signal Line-Shield-Earth Ground
Nominal voltage $U_N$	120 V AC (TN-S) 120 V AC (TT)

### Information technology

Nominal voltage $U_N$	120 V AC (Power) 24 V AC (Signal)
Max. operating voltage $U_{max}$	150 V AC (Power) 28 V AC (Signal)
Nominal current $I_N$	20 A (Power) 450 mA (Signal)
Max. discharge current $I_{max}$ (8/20) $\mu$ s	10 kA (Power)
Max. discharge current $I_{max}$ (8/20) $\mu$ s maximum (line-line)	10 kA (Signal)
Max. discharge current $I_{max}$ (8/20) $\mu$ s maximum (line-earth)	20 kA (Signal)
Resistance per path	2.2 $\Omega$ (Signal)

## Environmental and real-life conditions

### Ambient conditions

Degree of protection	IP66/NEMA 4X
Ambient temperature (operation)	-40 °C ... 80 °C
Ambient temperature (storage/transport)	-40 °C ... 80 °C
Altitude	$\leq$ 2000 mm
Permissible humidity (operation)	5 % ... 95 %

## Approvals

### UL specifications

Maximum continuous operating voltage MCOV	150 V AC/DC
Short-circuit current rating (SCCR)	10 kA
Voltage protection rating VPR (L-N)	700 V
Voltage protection rating VPR (L-G)	1000 V
Voltage protection rating VPR (N-G)	900 V
Voltage protection rating VPR (DC+) - (DC-)	700 V
Voltage protection rating VPR (DC+) - G	1000 V
Voltage protection rating VPR (DC-) - G	900 V
UL type	type 2
Nominal discharge current $I_n$	5 kA
Maximum Circuit Breaker	25.00 A
Maximum Surge Current per Phase	20 A

# BXT-4XS-SEC-T3-120+2X2-24AC - Surge protection device



1191888

<https://www.phoenixcontact.com/us/products/1191888>

## Mounting

Mounting type

Panel mounting

# BXT-4XS-SEC-T3-120+2X2-24AC - Surge protection device

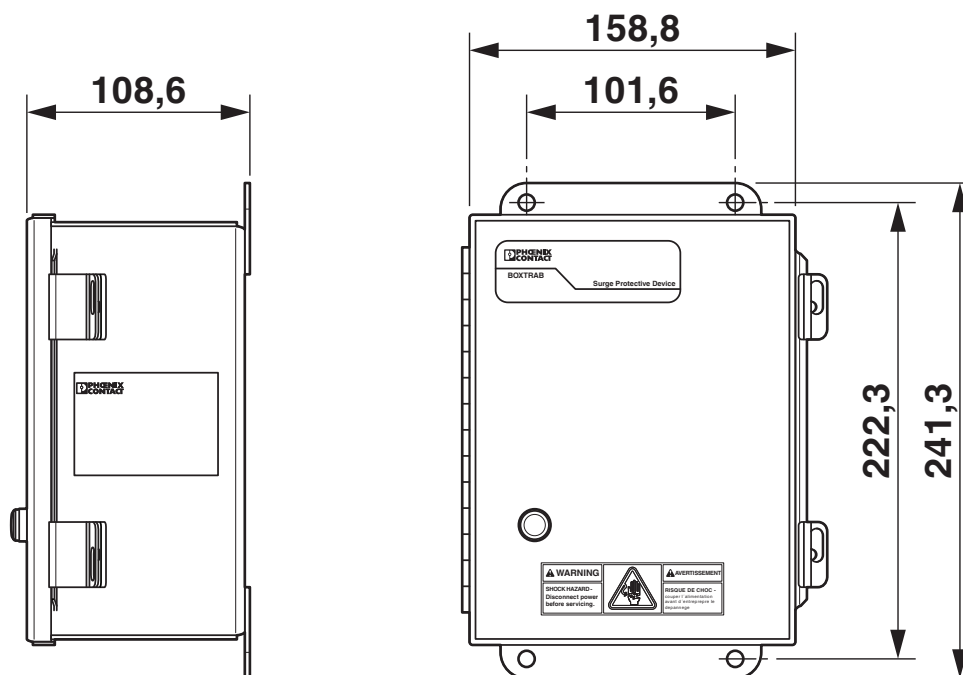


1191888

<https://www.phoenixcontact.com/us/products/1191888>

## Drawings

Dimensional drawing



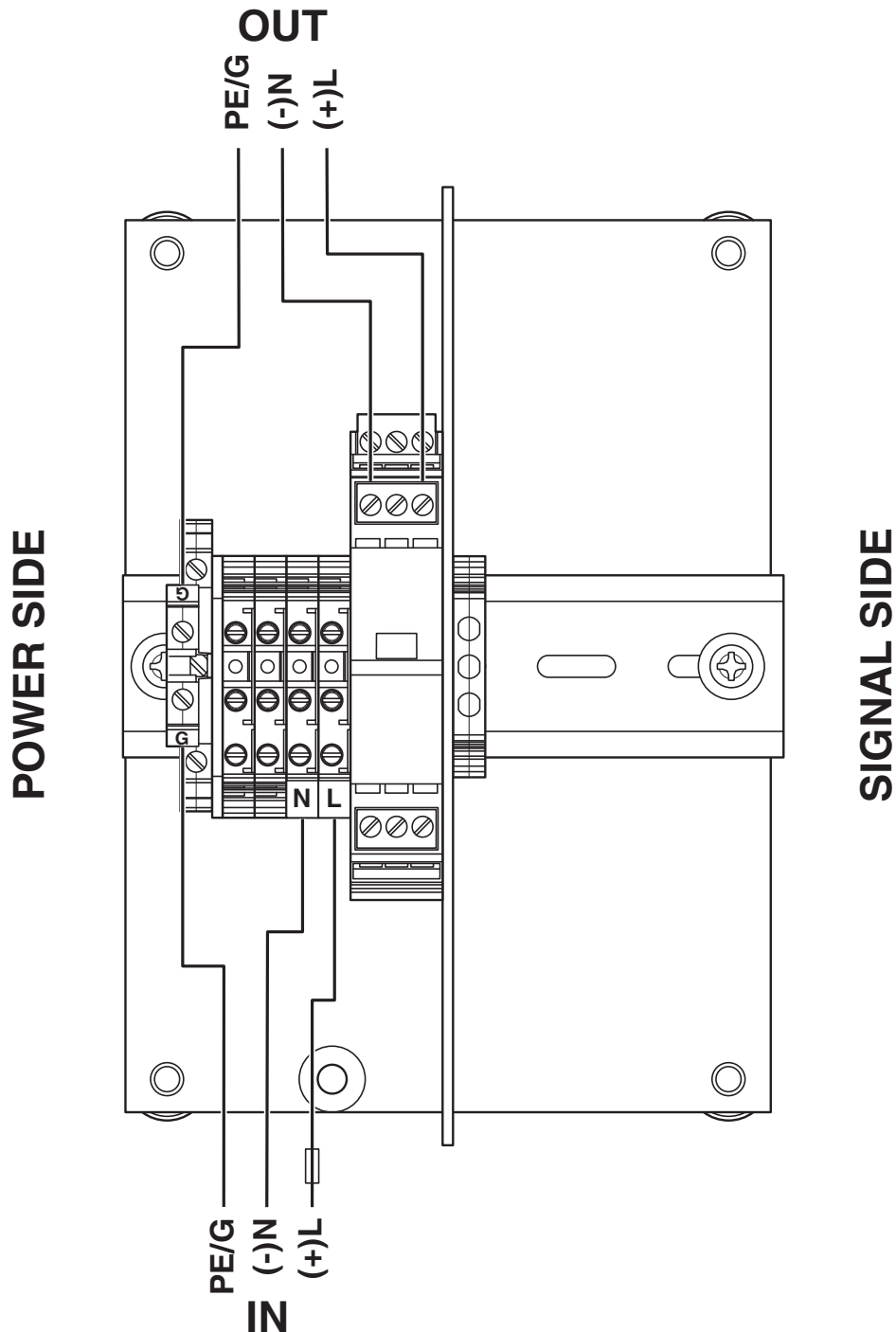
# BXT-4XS-SEC-T3-120+2X2-24AC - Surge protection device



1191888

<https://www.phoenixcontact.com/us/products/1191888>

Connection diagram



Connections for power protection only are shown. For signal protection connection, refer to included article datasheet. Signal and power protection may be bonded through DIN rail.

# BXT-4XS-SEC-T3-120+2X2-24AC - Surge protection device



1191888

<https://www.phoenixcontact.com/us/products/1191888>

## Approvals

To download certificates, visit the product detail page: <https://www.phoenixcontact.com/us/products/1191888>



**UL Listed**

Approval ID: FILE E 330181



**cUL Listed**

Approval ID: FILE E 330181

# BXT-4XS-SEC-T3-120+2X2-24AC - Surge protection device



1191888

<https://www.phoenixcontact.com/us/products/1191888>

## Classifications

### ECLASS

ECLASS-13.0	27171203
ECLASS-15.0	27171203

### ETIM

ETIM 9.0	EC000942
----------	----------

# BXT-4XS-SEC-T3-120+2X2-24AC - Surge protection device



1191888

<https://www.phoenixcontact.com/us/products/1191888>

## Environmental product compliance

### EU RoHS

Fulfills EU RoHS substance requirements	Not applicable, Not qualified for the European market
---	---

### EU REACH SVHC

REACH candidate substance (CAS No.)	Lead(CAS: 7439-92-1)
-------------------------------------	----------------------

Phoenix Contact 2026 © - all rights reserved  
<https://www.phoenixcontact.com>

Phoenix Contact USA  
586 Fulling Mill Road  
Middletown, PA 17057, United States  
(+717) 944-1300  
[info@phoenixcon.com](mailto:info@phoenixcon.com)