

BXT-4XS-SEC-T3-120+1X2-24 - Surge protection device



1191886

<https://www.phoenixcontact.com/us/products/1191886>

Please be informed that the data shown in this PDF document is generated from our online catalog. Please find the complete data in the user documentation. Our general terms of use for downloads are valid.



Wall-mounted NEMA 4/4X (IP66) 316L stainless steel enclosure with surge protection for 120 V AC/DC power and one 24 V DC loop with 28 V DC MCOV

Your advantages

- Eligible for limited lifetime warranty (in some U.S. markets)
- Polycarbonate and 316L stainless steel enclosures available
- UL 1449 Listed SPD
- Customizable: expand base unit with SPDs to suit your application
- Single solution for power, data, and signal in one enclosure

Commercial data

Item number	1191886
Packing unit	1 pc
Minimum order quantity	1 pc
Sales key	CL20
Product key	CL1481
GTIN	4063151244033
Weight per piece (including packing)	3,440 g
Weight per piece (excluding packing)	3.34 g
Country of origin	US

BXT-4XS-SEC-T3-120+1X2-24 - Surge protection device



1191886

<https://www.phoenixcontact.com/us/products/1191886>

Set consists of

PLT-SEC-T3-120-FM-UT - Type 3 surge protection device

2907918

<https://www.phoenixcontact.com/us/products/2907918>



Type 2/3 surge protection, consisting of protective plug and base element, with integrated status indicator and remote signaling for single-phase power supply networks. Nominal voltage: 120 V AC/DC

PT 1X2-24DC-ST - Surge protection plug

2856032

<https://www.phoenixcontact.com/us/products/2856032>



PT protective connector with protective circuit for a 2-wire floating signal circuit. HART-compatible.

BXT-4XS-SEC-T3-120+1X2-24 - Surge protection device



1191886

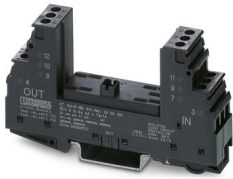
<https://www.phoenixcontact.com/us/products/1191886>

PT 1X2+F-BE - Surge protection base-element

2856126

<https://www.phoenixcontact.com/us/products/2856126>

Base element for protective plug PT with protective circuit for a 2-core floating signal circuit. Integrated gas arrester as coarse protection between GND and PE. Mounting on NS 35/7.5 und NS 35/15, housing width: 17.5 mm.



BXT-4XS-SEC-T3-120+1X2-24 - Surge protection device



1191886

<https://www.phoenixcontact.com/us/products/1191886>

Technical data

Notes

Trade restriction

CE note	The products are offered exclusively for export outside the EU and the European Economic Area.
---------	--

Product properties

Product type	Surge protection for NEMA power supply units
Type	DIN rail module, two-section, divisible
Surge protection fault message	optical
EN type	T2 / T3
Number of ports	One

Electrical properties

Nominal voltage U_N	120 V AC (Power)
	24 V DC (Signal)

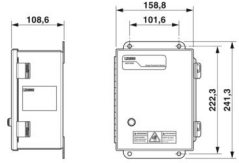
Indicator/remote signaling

Connection name	Remote fault indicator contact
Switching function	Changeover contact

Connection data

Screw thread	M3
Tightening torque, min	0.5 Nm
Conductor cross-section flexible min.	0.2 mm ²
Conductor cross-section flexible max.	2.5 mm ²
Conductor cross-section, rigid min.	0.2 mm ²
Conductor cross-section, rigid max.	4 mm ²
Connection method	Screw connection
Screw thread	M3

Dimensions

Dimensional drawing	
Width	152 mm
Height	203 mm
Depth	102 mm

Material specifications

BXT-4XS-SEC-T3-120+1X2-24 - Surge protection device



1191886

<https://www.phoenixcontact.com/us/products/1191886>

Color	Steel/stainless steel color
Housing material	Stainless steel, 316L, electropolished

Protective circuit

Power supplies

Direction of action	L/N-PE & Signal Line-Shield-Earth Ground
Nominal voltage U_N	120 V AC (TN-S) 120 V AC (TT)

Information technology

Nominal voltage U_N	120 V AC (Power) 24 V DC (Signal)
Max. operating voltage U_{max}	150 V AC (Power) 28 V DC (Signal)
Nominal current I_N	20 A (Power) 450 mA (Signal)
Max. discharge current I_{max} (8/20) μ s	10 kA (Power)
Max. discharge current I_{max} (8/20) μ s maximum (line-line)	10 kA (Signal)
Max. discharge current I_{max} (8/20) μ s maximum (line-earth)	10 kA (Signal)
Resistance per path	2.2 Ω (Signal)

Environmental and real-life conditions

Ambient conditions

Degree of protection	IP66/NEMA 4X
Ambient temperature (operation)	-40 °C ... 80 °C
Ambient temperature (storage/transport)	-40 °C ... 80 °C
Altitude	\leq 2000 mm
Permissible humidity (operation)	5 % ... 95 %

Approvals

UL specifications

Maximum continuous operating voltage MCOV	150 V AC/DC
Short-circuit current rating (SCCR)	10 kA
Voltage protection rating VPR (L-N)	700 V
Voltage protection rating VPR (L-G)	1000 V
Voltage protection rating VPR (N-G)	900 V
Voltage protection rating VPR (DC+) - (DC-)	700 V
Voltage protection rating VPR (DC+) - G	1000 V
Voltage protection rating VPR (DC-) - G	900 V
UL type	type 2
Nominal discharge current I_n	5 kA
Maximum Circuit Breaker	25.00 A
Maximum Surge Current per Phase	20 A

BXT-4XS-SEC-T3-120+1X2-24 - Surge protection device



1191886

<https://www.phoenixcontact.com/us/products/1191886>

Mounting

Mounting type

Panel mounting

BXT-4XS-SEC-T3-120+1X2-24 - Surge protection device

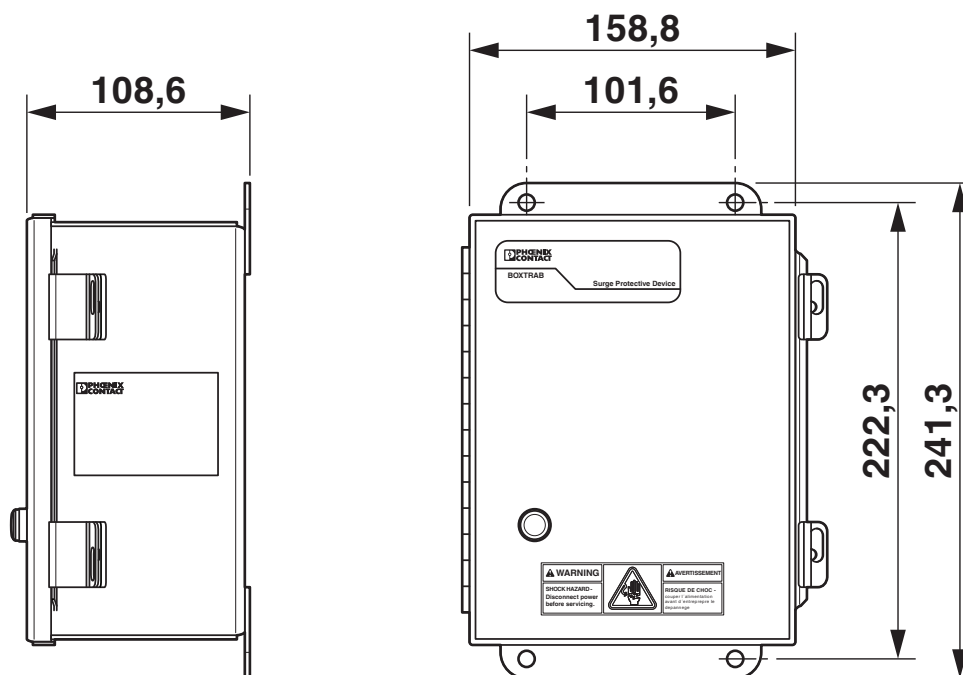


1191886

<https://www.phoenixcontact.com/us/products/1191886>

Drawings

Dimensional drawing



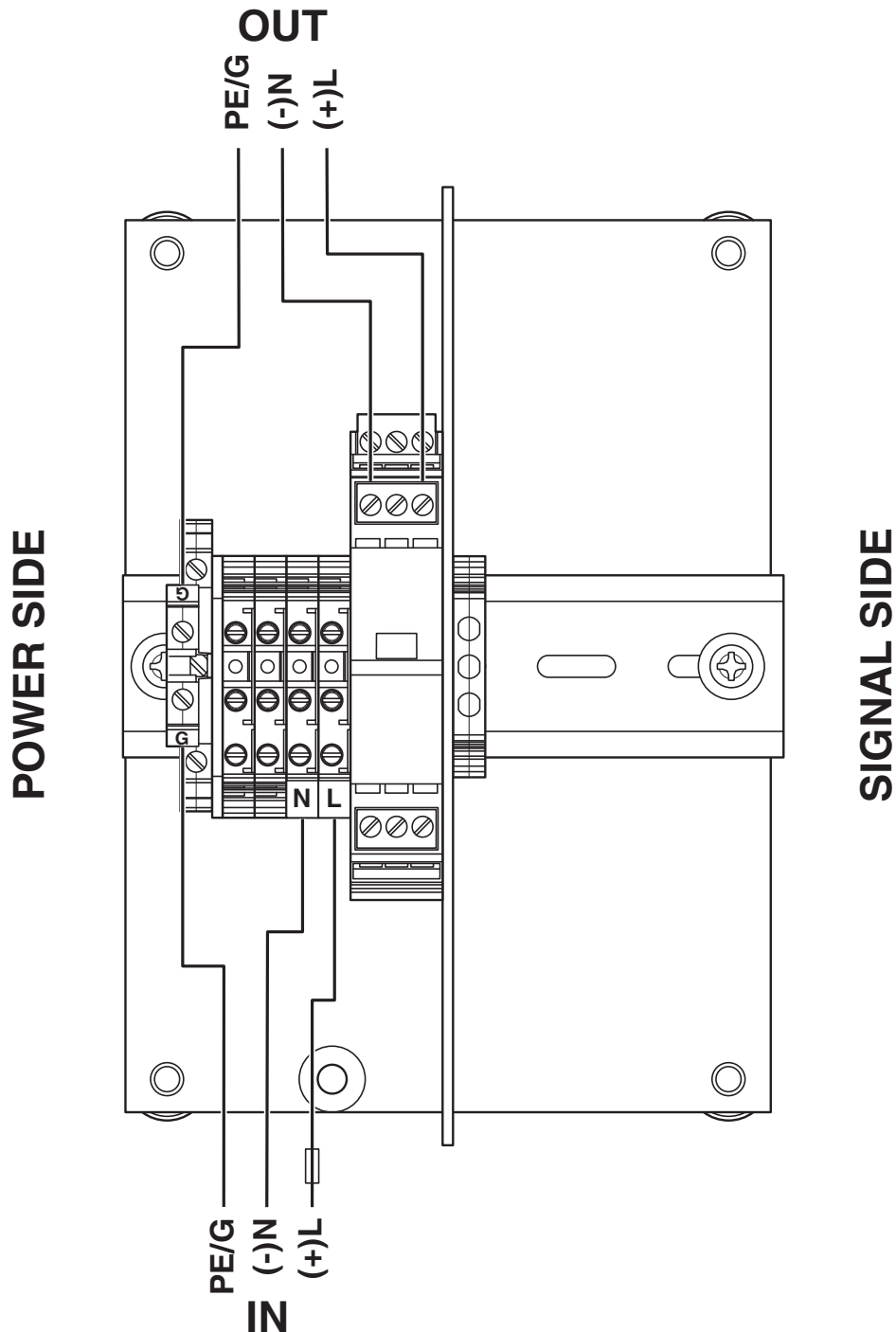
BXT-4XS-SEC-T3-120+1X2-24 - Surge protection device



1191886

<https://www.phoenixcontact.com/us/products/1191886>

Connection diagram



Connections for power protection only are shown. For signal protection connection, refer to included article datasheet. Signal and power protection may be bonded through DIN rail.

BXT-4XS-SEC-T3-120+1X2-24 - Surge protection device




1191886

<https://www.phoenixcontact.com/us/products/1191886>

Approvals

To download certificates, visit the product detail page: <https://www.phoenixcontact.com/us/products/1191886>

 **UL Listed**
Approval ID: FILE E 330181

 **cUL Listed**
Approval ID: FILE E 330181

BXT-4XS-SEC-T3-120+1X2-24 - Surge protection device



1191886

<https://www.phoenixcontact.com/us/products/1191886>

Classifications

ECLASS

ECLASS-13.0	27171203
ECLASS-15.0	27171203

ETIM

ETIM 10.0	EC000942
-----------	----------

BXT-4XS-SEC-T3-120+1X2-24 - Surge protection device



1191886

<https://www.phoenixcontact.com/us/products/1191886>

Environmental product compliance

EU RoHS

Fulfills EU RoHS substance requirements	Not applicable, Not qualified for the European market
---	---

EU REACH SVHC

REACH candidate substance (CAS No.)	Lead(CAS: 7439-92-1)
-------------------------------------	----------------------

Phoenix Contact 2026 © - all rights reserved
<https://www.phoenixcontact.com>

Phoenix Contact USA
586 Fulling Mill Road
Middletown, PA 17057, United States
(+717) 944-1300
info@phoenixcon.com