

BXT-4XS-SEC-T3-230-FM - Surge protection device



1191885

<https://www.phoenixcontact.com/us/products/1191885>

Please be informed that the data shown in this PDF document is generated from our online catalog. Please find the complete data in the user documentation. Our general terms of use for downloads are valid.



Wall-mounted NEMA 4/4X (IP66) 316L stainless steel enclosure with surge protection for 240 V AC/DC power and a divided compartment ready for additional Isolated Loop Protection.

Your advantages

- Eligible for limited lifetime warranty (in some U.S. markets)
- Customizable: expand base unit with SPDs to suit your application
- Polycarbonate and 316L stainless steel enclosures available

Commercial data

Item number	1191885
Packing unit	1 pc
Minimum order quantity	1 pc
Sales key	CL20
Product key	CL1481
GTIN	4063151243746
Weight per piece (including packing)	3,380 g
Weight per piece (excluding packing)	3.28 g
Country of origin	DE

BXT-4XS-SEC-T3-230-FM - Surge protection device



1191885

<https://www.phoenixcontact.com/us/products/1191885>

Set consists of

PLT-SEC-T3-230-FM-UT - Type 3 surge protection device

2907919

<https://www.phoenixcontact.com/us/products/2907919>



Type 2/3 surge protection, consisting of protective plug and base element with screw connection. For single-phase power supply network with integrated status indicator and remote signaling. Nominal voltage: 230 V AC/DC

BXT-4XS-SEC-T3-230-FM - Surge protection device



1191885

<https://www.phoenixcontact.com/us/products/1191885>

Technical data

Notes

Trade restriction

CE note	The products are offered exclusively for export outside the EU and the European Economic Area.
---------	--

Product properties

Product type	Surge protection for NEMA power supply units
Type	DIN rail module, two-section, divisible
Surge protection fault message	optical
EN type	T2 / T3
Number of ports	One

Electrical properties

Nominal voltage U_N	240 V AC (Power)
-----------------------	------------------

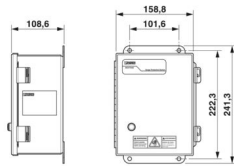
Indicator/remote signaling

Connection name	Remote fault indicator contact
Switching function	Changeover contact

Connection data

Screw thread	M3
Tightening torque, min	0.5 Nm
Conductor cross-section flexible min.	0.2 mm ²
Conductor cross-section flexible max.	2.5 mm ²
Conductor cross-section, rigid min.	0.2 mm ²
Conductor cross-section, rigid max.	4 mm ²
Connection method	Screw connection
Screw thread	M3

Dimensions

Dimensional drawing	
Width	152 mm
Height	203 mm
Depth	102 mm

Material specifications

Color	Steel/stainless steel color
-------	-----------------------------

BXT-4XS-SEC-T3-230-FM - Surge protection device



1191885

<https://www.phoenixcontact.com/us/products/1191885>

Housing material	Stainless steel, 316L, electropolished
------------------	--

Protective circuit

Power supplies

Direction of action	L/N-PE & Signal Line-Shield-Earth Ground
Nominal voltage U_N	240 V AC (TN-S)
	240 V AC (TT)

Information technology

Nominal voltage U_N	240 V AC (Power)
Max. operating voltage U_{max}	275 V AC (Power)
Nominal current I_N	20 A (Power)
Max. discharge current I_{max} (8/20) μ s	10 kA (Power)

Environmental and real-life conditions

Ambient conditions

Degree of protection	IP66/NEMA 4X
Ambient temperature (operation)	-40 °C ... 80 °C
Ambient temperature (storage/transport)	-40 °C ... 80 °C
Altitude	≤ 6000 mm (operating voltage remote contact ≤ 150 V)
Permissible humidity (operation)	5 % ... 95 %

Mounting

Mounting type	Panel mounting
---------------	----------------

BXT-4XS-SEC-T3-230-FM - Surge protection device

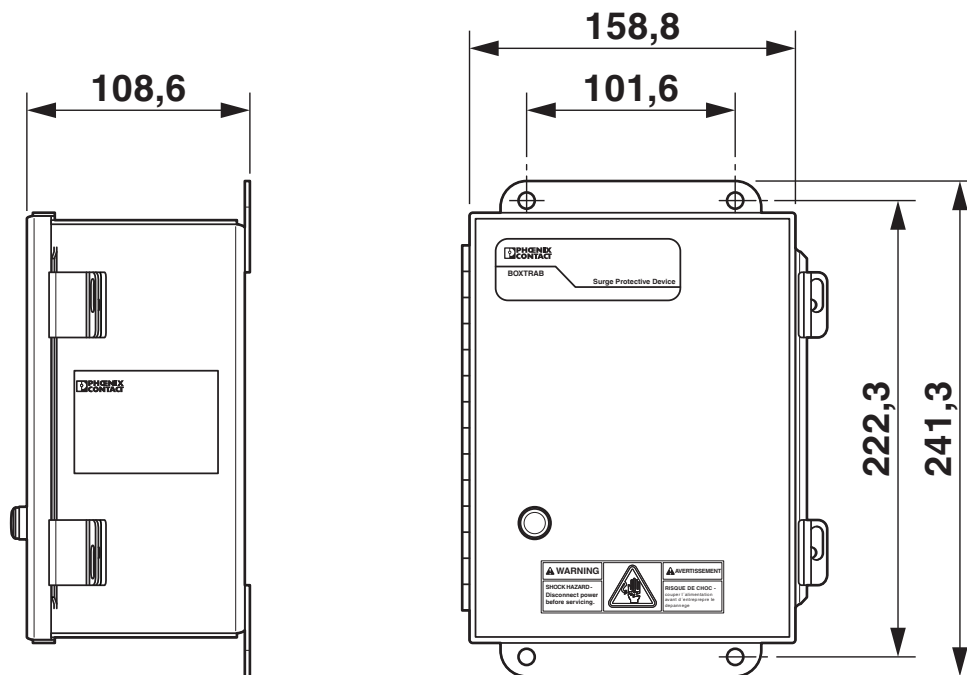


1191885

<https://www.phoenixcontact.com/us/products/1191885>

Drawings

Dimensional drawing



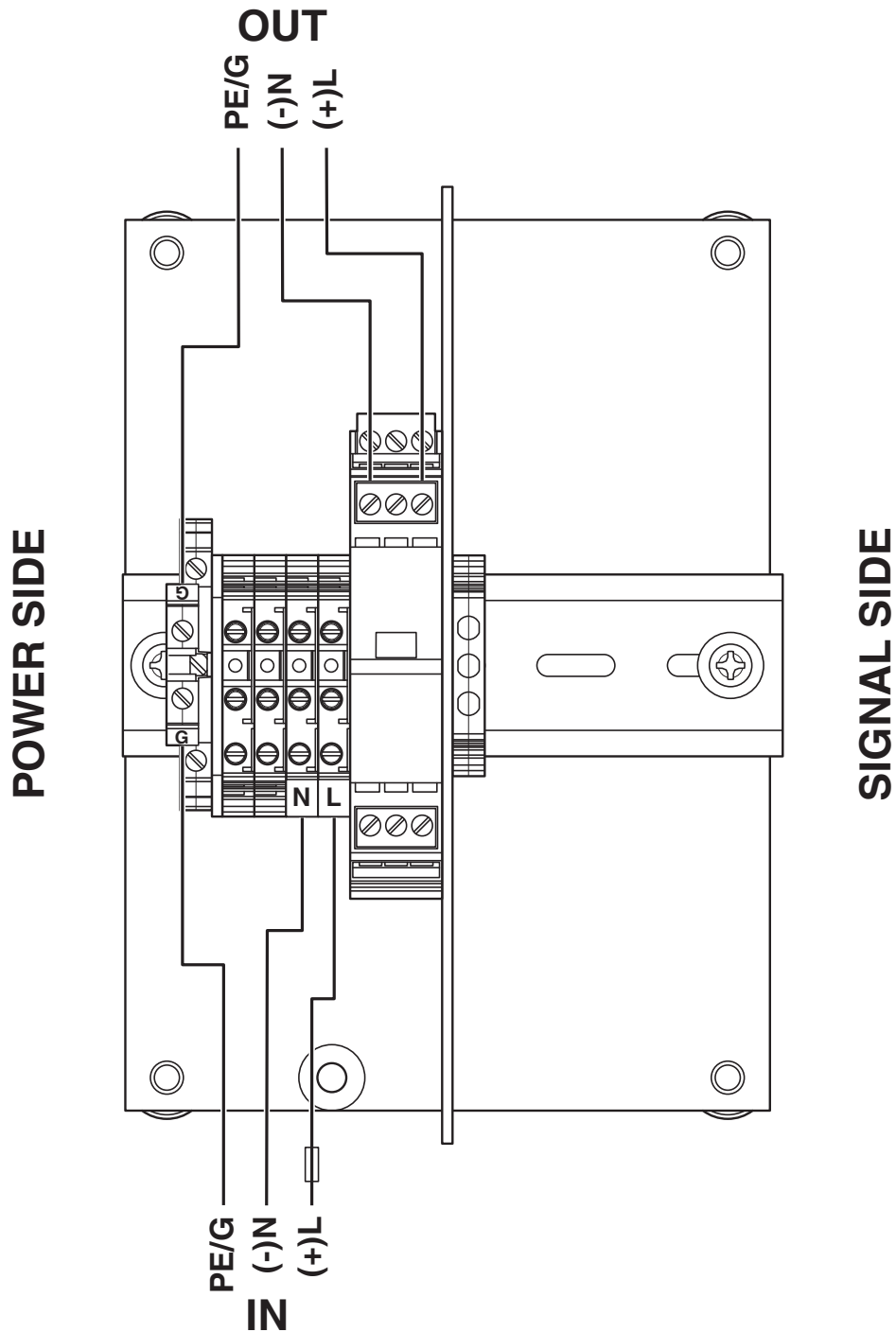
BXT-4XS-SEC-T3-230-FM - Surge protection device

1191885

<https://www.phoenixcontact.com/us/products/1191885>



Connection diagram



1191885

<https://www.phoenixcontact.com/us/products/1191885>

Classifications

ECLASS

ECLASS-13.0	27171203
ECLASS-15.0	27171203

ETIM

ETIM 9.0	EC000942
----------	----------

BXT-4XS-SEC-T3-230-FM - Surge protection device



1191885

<https://www.phoenixcontact.com/us/products/1191885>

Environmental product compliance

EU RoHS

Fulfills EU RoHS substance requirements	Not applicable, Not qualified for the European market
---	---

EU REACH SVHC

REACH candidate substance (CAS No.)	Lead(CAS: 7439-92-1)
-------------------------------------	----------------------

Phoenix Contact 2026 © - all rights reserved
<https://www.phoenixcontact.com>

Phoenix Contact USA
586 Fulling Mill Road
Middletown, PA 17057, United States
(+717) 944-1300
info@phoenixcon.com