

SCX-DOOR-LOCK - Locking

1184401

<https://www.phoenixcontact.com/us/products/1184401>

Please be informed that the data shown in this PDF document is generated from our online catalog. Please find the complete data in the user documentation. Our general terms of use for downloads are valid.



Stable door lock with locking tab for securely locking the Smart Ethernet Box, protects against unauthorized access, for a padlock with a shackle diameter of up to 12 mm

Commercial data

Item number	1184401
Packing unit	1 pc
Minimum order quantity	1 pc
Sales key	DN08
Product key	DNC3Z1
GTIN	4063151224226
Weight per piece (including packing)	229 g
Weight per piece (excluding packing)	229 g
Customs tariff number	83024900
Country of origin	SI

SCX-DOOR-LOCK - Locking



1184401

<https://www.phoenixcontact.com/us/products/1184401>

Technical data

Notes

Note on application

Note on application	Only for industrial use
---------------------	-------------------------

Product properties

Product type	Mounting material
--------------	-------------------

Dimensions

Width	35 mm
Height	290 mm
Depth	53 mm

Material specifications

Color	light gray (RAL 7035)
Material	Sheet steel
Surface characteristics	powder coated

SCX-DOOR-LOCK - Locking

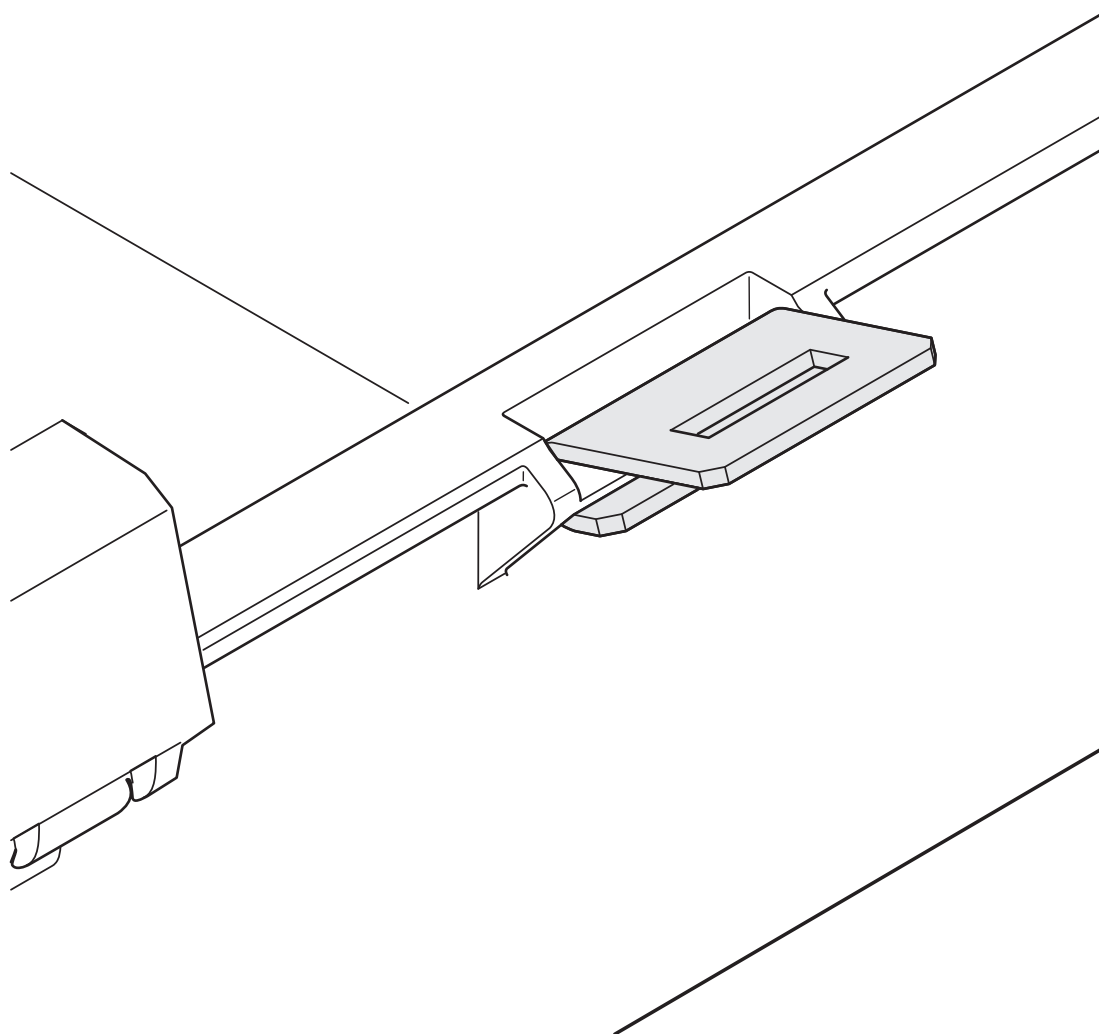
1184401

<https://www.phoenixcontact.com/us/products/1184401>



Drawings

Schematic diagram



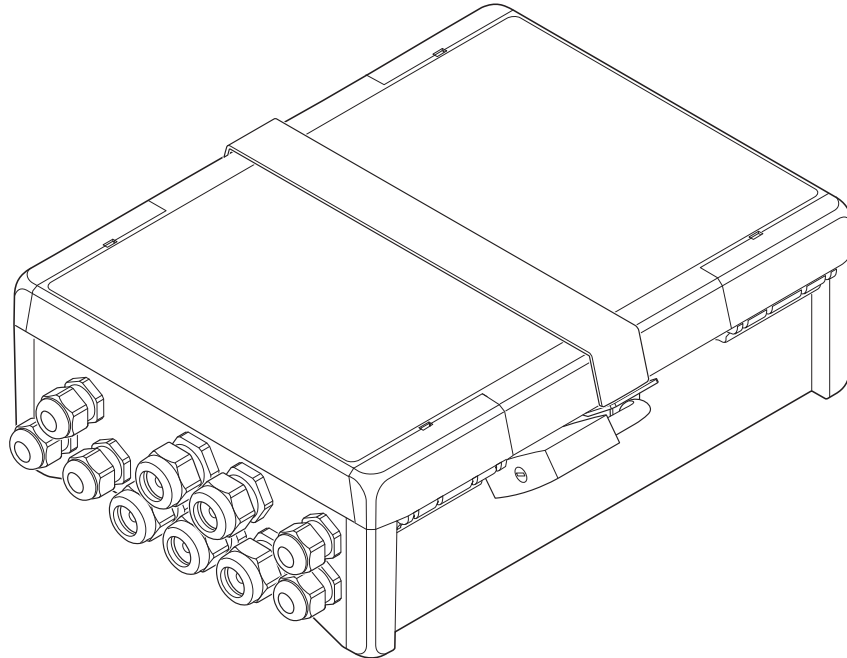
Attaching the locking tab

SCX-DOOR-LOCK - Locking

1184401

<https://www.phoenixcontact.com/us/products/1184401>

Schematic diagram



Mounting the door lock (padlock not included in the scope of supply)

SCX-DOOR-LOCK - Locking



1184401

<https://www.phoenixcontact.com/us/products/1184401>

Classifications

ECLASS

ECLASS-13.0	27371390
ECLASS-15.0	27371390

ETIM

ETIM 10.0	EC002498
-----------	----------

UNSPSC

UNSPSC 21.0	26121600
-------------	----------

SCX-DOOR-LOCK - Locking



1184401

<https://www.phoenixcontact.com/us/products/1184401>

Environmental product compliance

EU RoHS

Fulfills EU RoHS substance requirements	Yes, No exemptions
---	--------------------

China RoHS

Environment friendly use period (EFUP)	EFUP-E
	No hazardous substances above the limits

EU REACH SVHC

REACH candidate substance (CAS No.)	No substance above 0.1 wt%
-------------------------------------	----------------------------

EF3.1 Climate Change

CO2e kg	5.306 kg CO2e
---------	---------------

Phoenix Contact 2026 © - all rights reserved
<https://www.phoenixcontact.com>

Phoenix Contact USA
586 Fulling Mill Road
Middletown, PA 17057, United States
(+717) 944-1300
info@phoenixcon.com