

# AXL SE INC1 ASYM - Function module



1182185

<https://www.phoenixcontact.com/us/products/1182185>

Please be informed that the data shown in this PDF document is generated from our online catalog. Please find the complete data in the user documentation. Our general terms of use for downloads are valid.



Axioline Smart Elements, Function module, Position detection, Incremental encoder; Incremental encoder input: 1, Asymmetrical encoder; Digital inputs: 2, 24 V DC; degree of protection: IP20

## Product description

You can integrate Axioline Smart Elements into systems with the Smart Element interface. This Smart Element detects the positions of incremental encoders.

## Your advantages

- Acquisition of digital signals from asymmetrical incremental encoders (A, B, Z)
- Acquisition of pulses of up to 300 kHz
- Evaluating linear or rotary axes
- Power supply for 5 V or 24 V encoder
- 1 input can be used for referencing
- Latch function for quick buffering of positions
- 32-bit register to output the measured increments
- Device rating plate stored

## Commercial data

Item number	1182185
Packing unit	1 pc
Minimum order quantity	1 pc
Sales key	DR05
Product key	DRIB61
GTIN	4063151218379
Weight per piece (including packing)	38.44 g
Weight per piece (excluding packing)	35 g
Customs tariff number	85389091
Country of origin	DE

# AXL SE INC1 ASYM - Function module



1182185

<https://www.phoenixcontact.com/us/products/1182185>

## Technical data

### Dimensions

Dimensional drawing	
Width	14.9 mm
Height	62.2 mm
Depth	62 mm

### Notes

#### Note on application

Note on application	Only for industrial use
---------------------	-------------------------

### Material specifications

Color (Housing)	gray (RAL 7042)
-----------------	-----------------

### Interfaces

#### Smart Element interface

Number of interfaces	1
Connection method	Card edge connector
Transmission speed	See system in which you use the Smart Element.
Start time until ready to operate	< 500 ms

### System properties

#### Programming data (LocalbusSlave)

Process data channel	80 bit
Input address area	10 Byte
Output address area	10 Byte

#### Fieldbus data telegram

Required parameter data	19 Byte
Required configuration data	7 Byte

### Input data

#### Digital:

Input name	Digital inputs
Description of the input	EN 61131-2, type 3

# AXL SE INC1 ASYM - Function module



1182185

<https://www.phoenixcontact.com/us/products/1182185>

Number of inputs	2 (DI Ref, DI L)
Connection method	Push-in connection
Connection technology	1-conductor
Input voltage range "0" signal	-3 V DC ... 5 V DC
Input voltage range "1" signal	11 V DC ... 30 V DC
Nominal input voltage $U_{IN}$	24 V DC
Nominal input current at $U_{IN}$	3 mA
Process data update	typ. 400 $\mu$ s
Protective circuit	Transient protection; Suppressor diode

## Encoder

Number of inputs	1 (A, B, Z)
Input name	Incremental encoder input
Encoder signals	Asymmetrical encoder
Cable length	< 30 m (Shielded cable)

## Product properties

Product type	I/O component
Product family	Axioline Smart Elements
Type	modular
Mounting position	See the system in which the Smart Element is used.

## Insulation characteristics

Overvoltage category	II (IEC 60664-1, EN 60664-1)
Pollution degree	2 (IEC 60664-1, EN 60664-1)

## Electrical properties

Maximum power dissipation for nominal condition	1.8 W
---	-------

## Encoder

Number	1 (+5 V)
Nominal output voltage	5 V DC
Voltage range	5 V DC ... 5.5 V DC
Current carrying capacity	max. 300 mA
Protective circuit	Short-circuit protection; Electrical and thermal
	Overload protection
	Transient protection; Suppressor diode
Number	1 (+24 V)
Nominal output voltage	24 V DC
Voltage range	19.2 V DC ... 30 V DC
Current carrying capacity	max. 500 mA
Protective circuit	Short-circuit protection; Electrical (from approx. 600 mA)
	Overload protection
	Transient protection; Suppressor diode
Number	1 (A, B, Z)

# AXL SE INC1 ASYM - Function module



1182185

<https://www.phoenixcontact.com/us/products/1182185>

Designation	Asymmetrical incremental encoder
Input frequency	max. 300 kHz

## Potentials: Communications power supply of the Smart Elements ( $U_{SE}$ )

Supply voltage	using card edge connectors
----------------	----------------------------

## Potentials: I/O supply ( $U_P$ )

Supply voltage	24 V DC (using card edge connectors)
Supply voltage range	19.2 V DC ... 30 V DC (including all tolerances, including ripple)
Current draw	max. 700 mA typ. 512 mA
Current consumption	min. 11 mA (without connected peripherals)
Protective circuit	Surge protection; See the system in which the Smart Element is used. Reverse polarity protection; Polarity protection diode
Protection	See the system in which the Smart Element is used.

## Electrical isolation/isolation of the voltage ranges

Test voltage: Communications supply / 24 V supply (I/O)	500 V AC, 50 Hz, 1 min
Test voltage: Communications supply / functional ground	500 V AC, 50 Hz, 1 min
Test voltage: 24 V supply (I/O) / functional ground	500 V AC, 50 Hz, 1 min

## Connection data

### Connection technology

Connection name	I/O
Note on the connection method	Please observe the information provided on conductor cross-sections in the "AxioLine Smart Elements" user manual.

### I/O

Connection method	Push-in connection
Note on the connection method	Please observe the information provided on conductor cross-sections in the "AxioLine Smart Elements" user manual.
Conductor cross-section, rigid	0.25 mm <sup>2</sup> ... 1.5 mm <sup>2</sup>
Conductor cross-section, flexible	0.25 mm <sup>2</sup> ... 1.5 mm <sup>2</sup>
Conductor cross-section AWG	24 ... 16
Conductor cross-section, flexible, with ferrule, with plastic sleeve	0.25 mm <sup>2</sup> ... 1.5 mm <sup>2</sup>
Conductor cross-section, flexible, with ferrule, without plastic sleeve	0.25 mm <sup>2</sup> ... 1.5 mm <sup>2</sup> 0.25 mm <sup>2</sup> ... 1.5 mm <sup>2</sup>
Conductor cross-section, flexible, with ferrule, with plastic sleeve	0.25 mm <sup>2</sup> ... 1.5 mm <sup>2</sup>
Stripping length	8 mm

## Environmental and real-life conditions

### Ambient conditions

Ambient temperature (operation)	-25 °C ... 60 °C
Degree of protection	IP20
Air pressure (operation)	70 kPa ... 106 kPa (up to 3000 m above sea level)

# AXL SE INC1 ASYM - Function module



1182185

<https://www.phoenixcontact.com/us/products/1182185>

Air pressure (storage/transport)	70 kPa ... 106 kPa (up to 3000 m above sea level)
Ambient temperature (storage/transport)	-40 °C ... 85 °C
Permissible humidity (operation)	5 % ... 95 % (non-condensing)
Permissible humidity (storage/transport)	5 % ... 95 % (non-condensing)

## Mechanical test

Vibration resistance in accordance with EN 60068-2-6/IEC 60068-2-6	5g
Shock in accordance with EN 60068-2-27/IEC 60068-2-27	30g
Continuous shock in accordance with EN 60068-2-27/IEC 60068-2-27	10g

## Standards and regulations

Protection class	III (IEC 61140, EN 61140, VDE 0140-1)
------------------	---------------------------------------

## Mounting

Mounting type	Plug-in mounting (Smart Element slot)
Mounting position	See the system in which the Smart Element is used.

# AXL SE INC1 ASYM - Function module

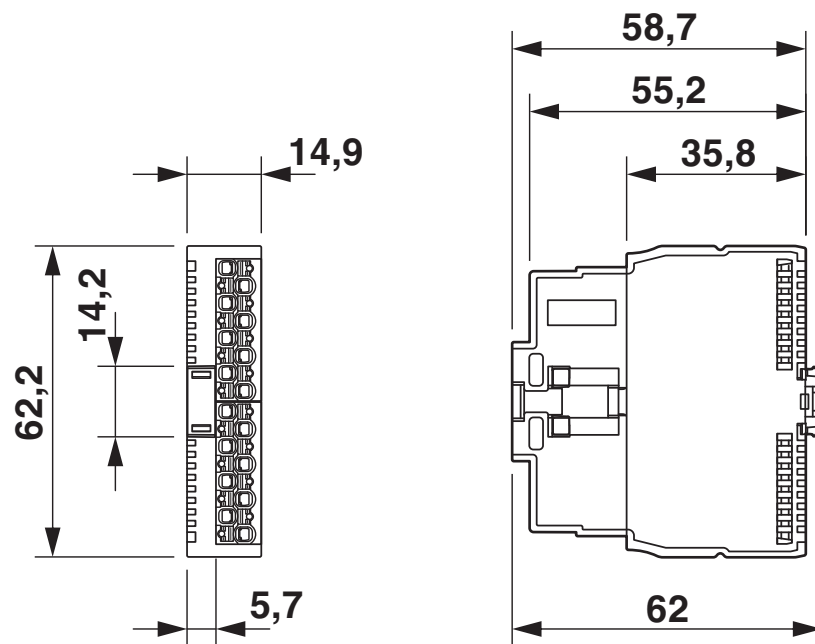
1182185

<https://www.phoenixcontact.com/us/products/1182185>



## Drawings

Dimensional drawing



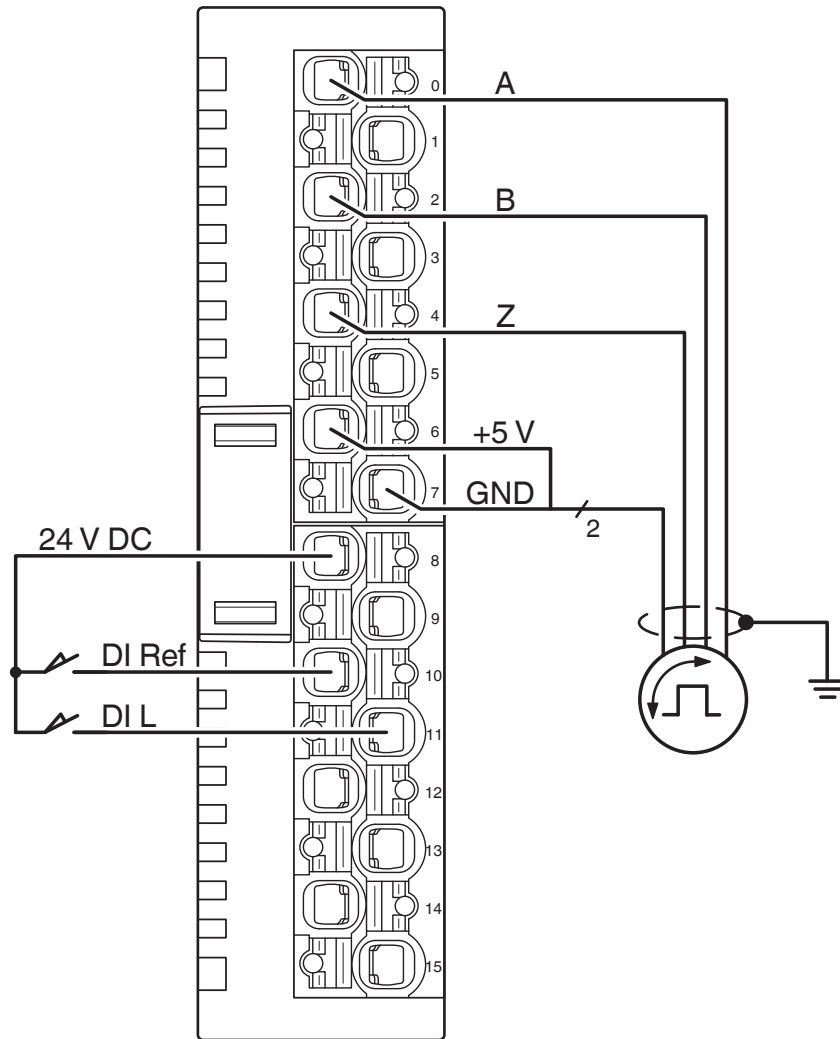
## Dimensions

# AXL SE INC1 ASYM - Function module

1182185

<https://www.phoenixcontact.com/us/products/1182185>

Connection diagram



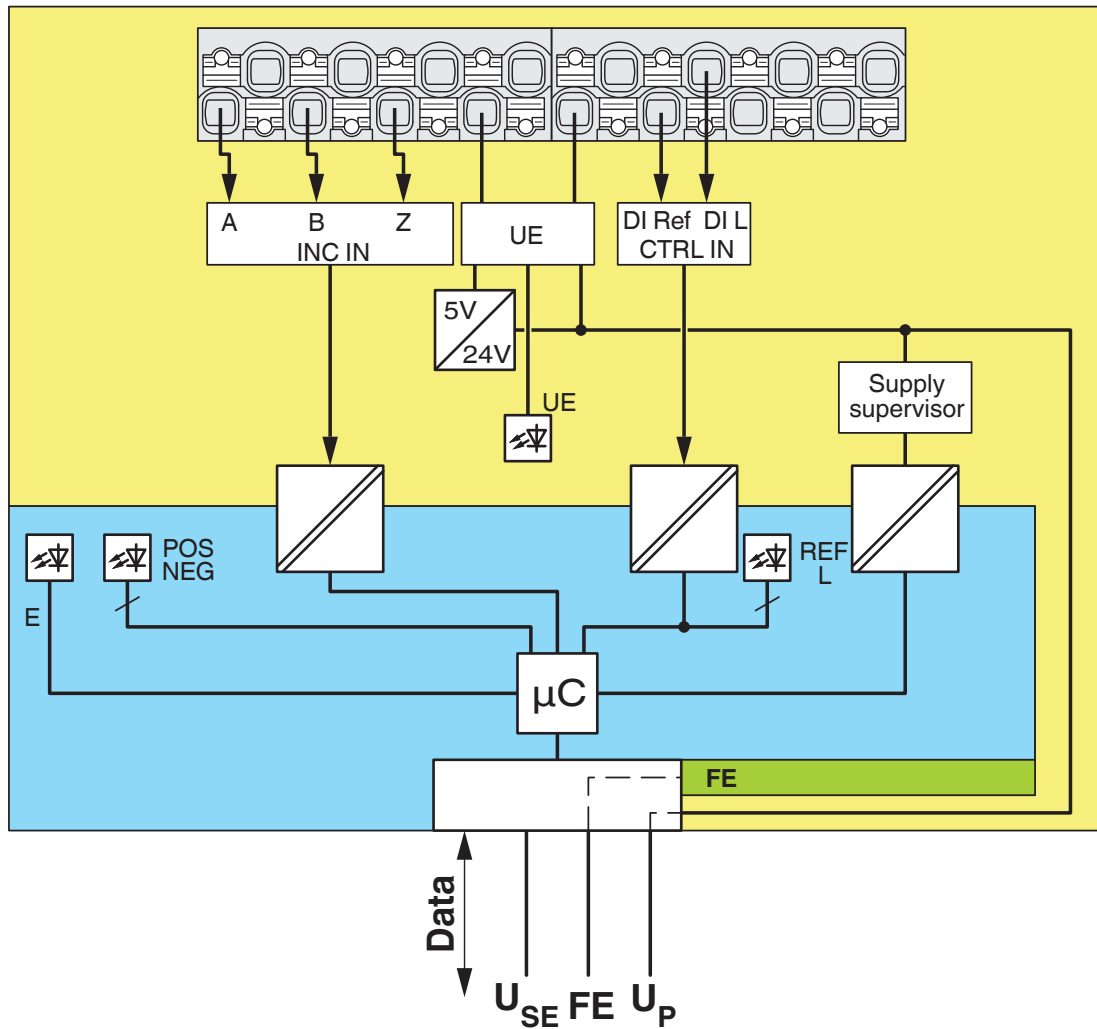
Connection example

# AXL SE INC1 ASYM - Function module

1182185

<https://www.phoenixcontact.com/us/products/1182185>

Block diagram



Internal wiring of the terminal points

# AXL SE INC1 ASYM - Function module



1182185

<https://www.phoenixcontact.com/us/products/1182185>

## Approvals

To download certificates, visit the product detail page: <https://www.phoenixcontact.com/us/products/1182185>



**cULus Listed**

Approval ID: E238705

# AXL SE INC1 ASYM - Function module



1182185

<https://www.phoenixcontact.com/us/products/1182185>

## Classifications

### ECLASS

ECLASS-13.0	27242604
ECLASS-15.0	27242604

### ETIM

ETIM 10.0	EC001599
-----------	----------

### UNSPSC

UNSPSC 21.0	32151600
-------------	----------

1182185

<https://www.phoenixcontact.com/us/products/1182185>

## Environmental product compliance

### EU RoHS

Fulfills EU RoHS substance requirements	Yes
Exemption	7(a), 7(c)-I

### China RoHS

Environment friendly use period (EFUP)	EFUP-50
	An article-related China RoHS declaration table can be found in the download area for the respective article under "Manufacturer declaration". For all articles with EFUP-E, no China RoHS declaration table issued and required.

### EU REACH SVHC

REACH candidate substance (CAS No.)	Lead(CAS: 7439-92-1)
SCIP	8bd6d594-7c01-49fe-96c0-6dcfe1196d83

Phoenix Contact 2026 © - all rights reserved

<https://www.phoenixcontact.com>

Phoenix Contact USA  
586 Fulling Mill Road  
Middletown, PA 17057, United States  
(+717) 944-1300  
[info@phoenixcon.com](mailto:info@phoenixcon.com)