

PTPOWER-IL - Mounting material



1180891

<https://www.phoenixcontact.com/us/products/1180891>

Please be informed that the data shown in this PDF document is generated from our online catalog. Please find the complete data in the user documentation. Our general terms of use for downloads are valid.

Operating decal for the PTPOWER



Commercial data

Item number	1180891
Packing unit	10 pc
Minimum order quantity	10 pc
Product key	BE2ZWX
GTIN	4063151216863
Weight per piece (including packing)	2.27 g
Weight per piece (excluding packing)	2.27 g
Country of origin	DE

PTPOWER-IL - Mounting material



1180891

<https://www.phoenixcontact.com/us/products/1180891>

Technical data

Product properties

Product type	Documentation
--------------	---------------

Dimensions

Width	101 mm
Height	110 mm
Depth	110 mm

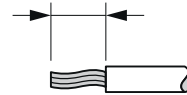
Material specifications

Color	yellow (RAL 1018)
-------	-------------------

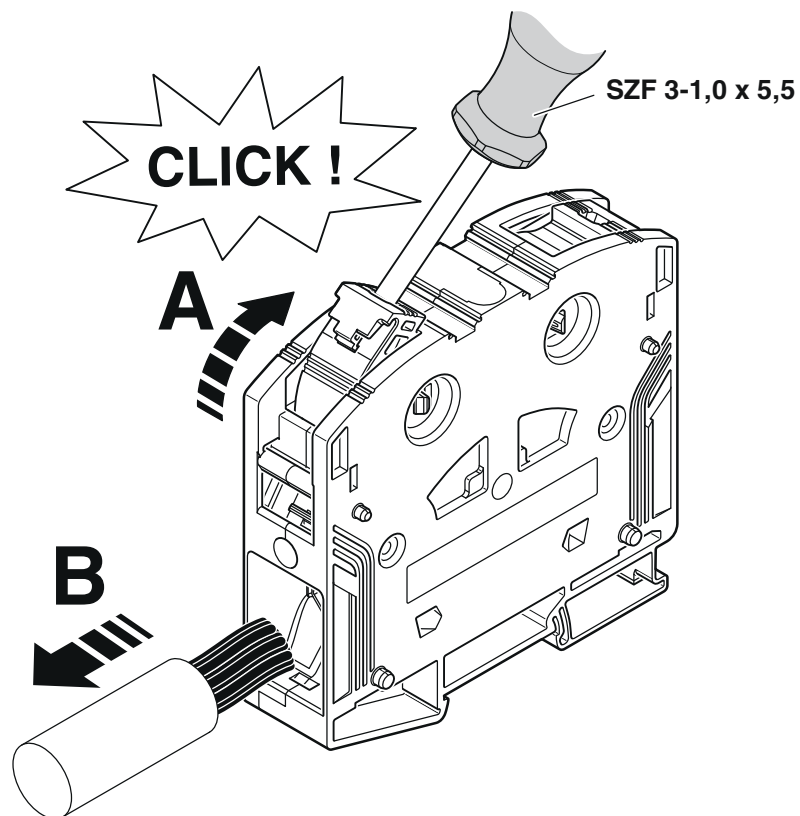
Drawings

Schematic diagram

PTPOWER



AGK 10-PTPOWER	0,5 mm ² ... 16 mm ²	18 mm
PTPOWER 35	2,5 mm ² ... 35 mm ²	25 mm
PTPOWER 50	10 mm ² ... 50 mm ²	32 mm
PTPOWER 95	25 mm ² ... 95 mm ²	40 mm
PTPOWER 185	95 mm ² ... 185 mm ²	40 mm



PTPOWER-IL - Mounting material



1180891

<https://www.phoenixcontact.com/us/products/1180891>

Classifications

ECLASS

ECLASS-13.0	27141190
ECLASS-15.0	27141190

ETIM

ETIM 10.0	EC002848
-----------	----------

UNSPSC

UNSPSC 21.0	39121400
-------------	----------

PTPOWER-IL - Mounting material



1180891

<https://www.phoenixcontact.com/us/products/1180891>

Environmental product compliance

EU RoHS

Fulfills EU RoHS substance requirements

Not applicable, No electrical and electronic equipment (EEE), cannot be used in EEE

EU REACH SVHC

REACH candidate substance (CAS No.)

No substance above 0.1 wt%

Phoenix Contact 2026 © - all rights reserved

<https://www.phoenixcontact.com>

Phoenix Contact USA
586 Fulling Mill Road
Middletown, PA 17057, United States
(+717) 944-1300
info@phoenixcon.com