

# SACC-PO12MR-5CT-CL SH - Connector



1177590

<https://www.phoenixcontact.com/us/products/1177590>

Please be informed that the data shown in this PDF document is generated from our online catalog. Please find the complete data in the user documentation. Our general terms of use for downloads are valid.



Connector, Universal, 5-position, shielded, Plug angled M12 Push-pull external locking, coding: A, Crimp connection, knurl material: PA 6.6, external cable diameter 6.5 mm ... 10 mm, without crimp contacts

## Your advantages

- Plug and Produce: convenient and secure connection, thanks to the manufacturer-independent locking system
- Extremely compact, thanks to the small wiring space and high contact density
- Clear feedback: the connector springs back when not snapped into place correctly
- Safely shielded: reliable shield connection even under extreme mechanical strain
- Robust connection: suitable for railway applications with high shock and vibration loads

## Commercial data

Item number	1177590
Packing unit	1 pc
Minimum order quantity	1 pc
Note	Made to order (non-returnable)
Sales key	BF34
Product key	AF2CJA
GTIN	4063151208691
Weight per piece (including packing)	22.22 g
Weight per piece (excluding packing)	22.22 g
Customs tariff number	85366990
Country of origin	DE

# SACC-PO12MR-5CT-CL SH - Connector



1177590

<https://www.phoenixcontact.com/us/products/1177590>

## Technical data

### Notes

Assembly note	<b>NOTE:</b> Observe the permissible bending radii when routing cables, since the degree of protection may be at risk if the bending forces are too high. Reduce mechanical loads upstream of the connector, e.g., by using cable ties.
---------------	---

### Mounting

Assembly note	Contacts can be clipped in place and unclipped without tools
	The pin assignment can be rotated in a 30° pitch to the cable outlet

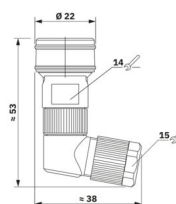
### Product properties

Product type	Circular connector (cable-side)
Sensor type	Universal
Number of positions	5
No. of cable outlets	1
Shielded	yes
Coding	A
Cable outlet	angled

### Insulation characteristics

Overvoltage category	III
Degree of pollution	3

### Dimensions

Dimensional drawing	
Length	53 mm
Wrench size, union nut	15 mm
Wrench size, counter nut	14 mm

### External dimensions

Outside diameter	6.5 mm ... 10 mm
------------------	------------------

### Housing

Diameter housing	22 mm
------------------	-------

### Material specifications

Flammability rating according to UL 94	V0
--	----

# SACC-PO12MR-5CT-CL SH - Connector



1177590

<https://www.phoenixcontact.com/us/products/1177590>

Seal material	NBR
Material of grip body	Zinc die-cast, nickel-plated
Contact carrier material	PA 6.6
Material for screw connection	PA 6.6
Standards/regulations	PA 6.6

## Connection data

### Conductor connection

Connection method	Crimp connection
Connection cross section	0.14 mm <sup>2</sup> ... 1 mm <sup>2</sup> (flexible)
Connection cross section AWG	26 ... 18 (flexible)
Stripping length of the individual wire	4 mm +0,5 mm
Tightening torque	1.5 Nm (Screw plug insert with sleeve housing as far it will go) 4 Nm (Pressure nut with coupling sleeve)

## Electrical properties

Rated surge voltage	1.5 kV
Insulation resistance	≥ 100 MΩ
Nominal voltage U <sub>N</sub>	48 V AC 60 V DC
Nominal current I <sub>N</sub>	4 A

## Mechanical properties

### Mechanical data

Insertion/withdrawal cycles	≥ 100
-----------------------------	-------

## Connector

### Connection 1

Head design	Plug
Head cable outlet	angled
Head thread type	M12
Head locking type	Push-pull external locking
Coding	A

## Cable/line

Signal type/category	Universal
Stripping length of the individual wire	4 mm +0,5 mm

## Environmental and real-life conditions

### Ambient conditions

Degree of protection	IP65 IP67 IP68
----------------------	----------------------

# SACC-PO12MR-5CT-CL SH - Connector



1177590

<https://www.phoenixcontact.com/us/products/1177590>

	IP69K
Ambient temperature (operation) (male connector/female connector)	-40 °C ... 85 °C (Plug / socket)

## Standards and regulations

### Testing

Standards/regulations	PA 6.6: Fire protection in rail vehicles - requirement sets R22, R23, R24, and R26 acc. to DIN EN 45545-2 (Risk level HL1 - HL3)
Standard designation	M12 connector
Standards/specifications	IEC 61076-2-101
Note	according to
Standard designation	Shock, vibration
Standards/specifications	EN 50155:2001

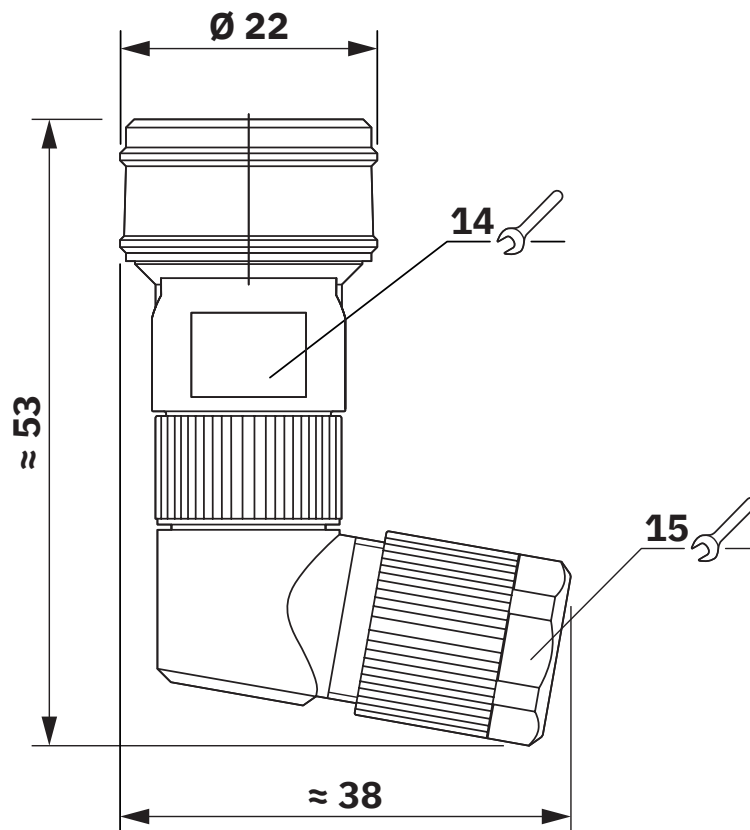
# SACC-PO12MR-5CT-CL SH - Connector

1177590

<https://www.phoenixcontact.com/us/products/1177590>

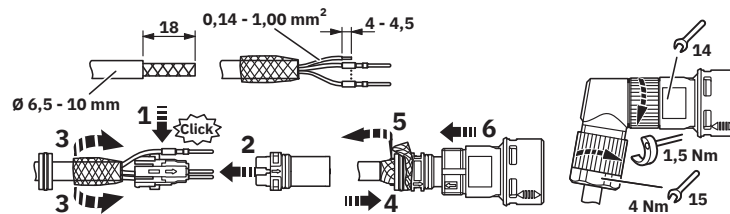
## Drawings

Dimensional drawing



Dimensional drawing

Functional drawing



Functional drawing

1177590

<https://www.phoenixcontact.com/us/products/1177590>

Schematic diagram



M12 PUSH-PULL male pin assignment, 5-pos., pin-side view

# SACC-PO12MR-5CT-CL SH - Connector



1177590

<https://www.phoenixcontact.com/us/products/1177590>

## Classifications

### ECLASS

ECLASS-13.0	27440116
ECLASS-15.0	27440116

### ETIM

ETIM 9.0	EC002635
----------	----------

### UNSPSC

UNSPSC 21.0	39121400
-------------	----------

# SACC-PO12MR-5CT-CL SH - Connector



1177590

<https://www.phoenixcontact.com/us/products/1177590>

## Environmental product compliance

### EU RoHS

Fulfills EU RoHS substance requirements	Yes, No exemptions
---	--------------------

### China RoHS

Environment friendly use period (EFUP)	EFUP-E
	No hazardous substances above the limits

### EU REACH SVHC

REACH candidate substance (CAS No.)	No substance above 0.1 wt%
-------------------------------------	----------------------------

Phoenix Contact 2026 © - all rights reserved  
<https://www.phoenixcontact.com>

Phoenix Contact USA  
586 Fulling Mill Road  
Middletown, PA 17057, United States  
(+717) 944-1300  
[info@phoenixcon.com](mailto:info@phoenixcon.com)