

SACB-4/ 8-PT QO - Distributor box



1175445

<https://www.phoenixcontact.com/us/products/1175445>

Please be informed that the data shown in this PDF document is generated from our online catalog. Please find the complete data in the user documentation. Our general terms of use for downloads are valid.



Distributor box, connection method: QUICKON, 0.14 mm² ... 0.5 mm², number of slots: 4, number of positions: 5, slot assignment: Double, status display: no, Universal; master cable connection: Push-in connection 180°, shielding: no, When connecting 5 conductors, max. 0.5 mm² can be connected

Your advantages

- Safety in the field, thanks to molded housing and high degree of protection
- Convenient: increased machine availability thanks to quick and easy diagnostics
- Innovative and time-saving assembly with insulation displacement connection
- Flexible: distributor box with connector hood for on-site assembly

Commercial data

Item number	1175445
Packing unit	1 pc
Minimum order quantity	1 pc
Sales key	BF41
Product key	AF3DBC
GTIN	4063151204761
Weight per piece (including packing)	252.8 g
Weight per piece (excluding packing)	252.8 g
Customs tariff number	85366990
Country of origin	DE

SACB-4/ 8-PT QO - Distributor box



1175445

<https://www.phoenixcontact.com/us/products/1175445>

Technical data

Notes

Assembly note	NOTE: Observe the permissible bending radii when routing cables, since the degree of protection may be at risk if the bending forces are too high. Reduce mechanical loads upstream of the connector, e.g., by using cable ties.
Note on application	Unused slots are to be sealed off prior to commissioning. Suitable sealing elements are to be found under "Accessories".
Note on application	Cables with 5 conductors may have a maximum connection cross-section of 0.5 mm ² /20 AWG.

Product properties

Product type	Distributor box
Number of positions	5
Number of slots	4
LED	no

Electrical properties

Nominal voltage U _N	48 V AC
	60 V DC
Rated current, total	10 A
Max. current carrying capacity per path	2 A
Current carrying capacity per slot	4 A

Connection data

Conductor connection

Sensor/actuator connection system	QUICKON
Conductor cross-section Flexible signal line	0.14 mm ² ... 0.5 mm ²
Conductor cross-section Flexible power supply	0.14 mm ² ... 0.5 mm ²
Connection cross section AWG Flexible signal line	26 ... 20
Connection cross section AWG Flexible power supply	26 ... 20
Stripping length Signal line	8 mm
Stripping length of the sheath	50 mm (Master cable)
Tightening torque, cover screw	0.35 Nm
Tightening torque of mounting screw for fixing the housing	0.5 Nm
Tightening torque, union nut	4 Nm

Connection assignment

Slot/position = Wire color or connection	1 / 4 (A) = 1 / 4
	1 / 2 (B) = 1 / 2
	2 / 4 (A) = 2 / 4
	2 / 2 (B) = 2 / 2
	3 / 4 (A) = 3 / 4
	3 / 2 (B) = 3 / 2

SACB-4/ 8-PT QO - Distributor box



1175445

<https://www.phoenixcontact.com/us/products/1175445>

	4 / 4 (A) = 4 / 4
	4 / 2 (B) = 4 / 2
	1-4 / 1 (+ 48 V) = U _N
	1-4 / 3 (0 V) = 0 V
	1-4 / 5 (PE) = PE

Signaling

Status display present	no
------------------------	----

Dimensions

Dimensional drawing	
Width	58 mm
Height	45 mm
Length	131 mm
Wrench size, union nut	16 mm

Material specifications

Material Housing	PBT
Material Molding compound	PUR
Flammability rating according to UL 94	V0
Seal material O-ring	FKM
Seal material	FKM
Contact material	Steel/copper
Contact surface material	Sn
Contact carrier material	PA 6.6
Material of contact, master cable side	CU alloy
Material of the contact carrier on the master cable side	PA 6.6 V0
Material of contact surface, master cable side	Sn
Wire insulation material	PVC / PE / PP / rubber

Cable/line

External cable diameter	7 mm ... 12 mm
Connection method	Push-in connection

Environmental and real-life conditions

Ambient conditions

Degree of protection	IP65
----------------------	------

SACB-4/ 8-PT QO - Distributor box



1175445

<https://www.phoenixcontact.com/us/products/1175445>

Ambient temperature (operation)	-30 °C ... 80 °C
	-5 °C ... 50 °C (During assembly)

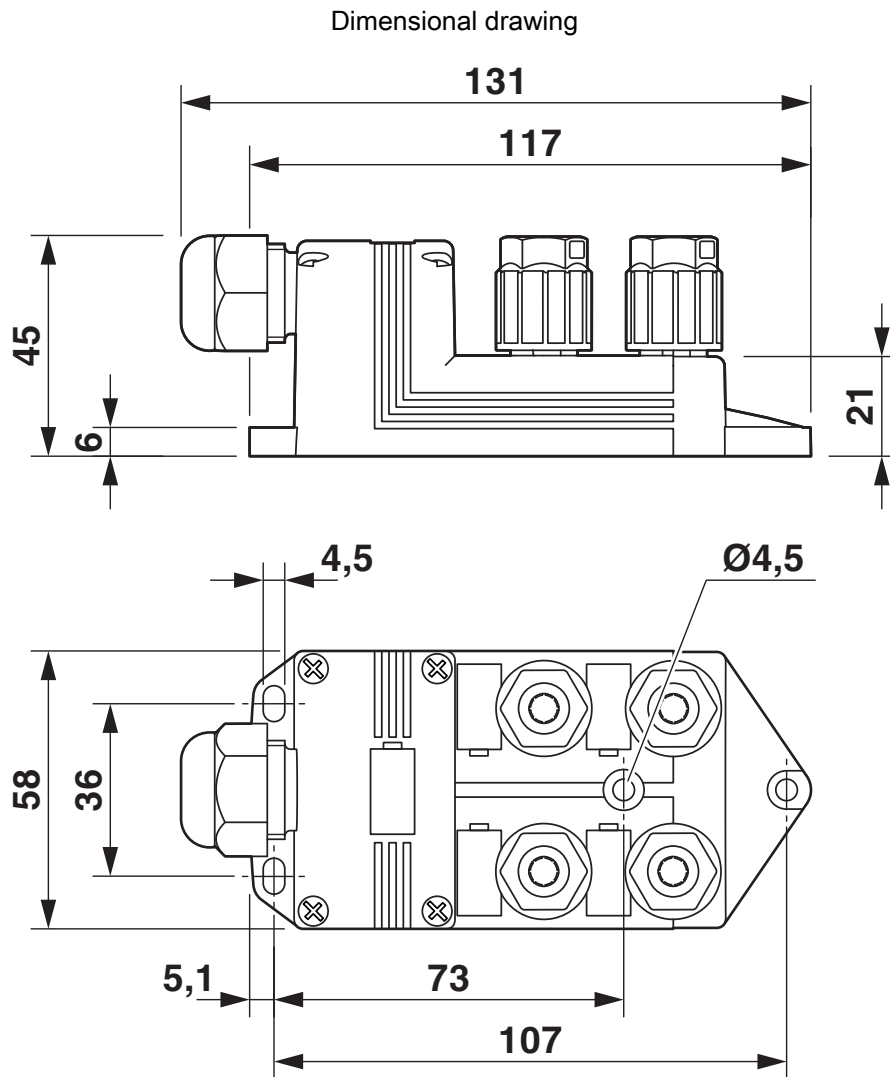
SACB-4/ 8-PT QO - Distributor box



1175445

<https://www.phoenixcontact.com/us/products/1175445>

Drawings



SACB-4/ 8-PT QO - Distributor box

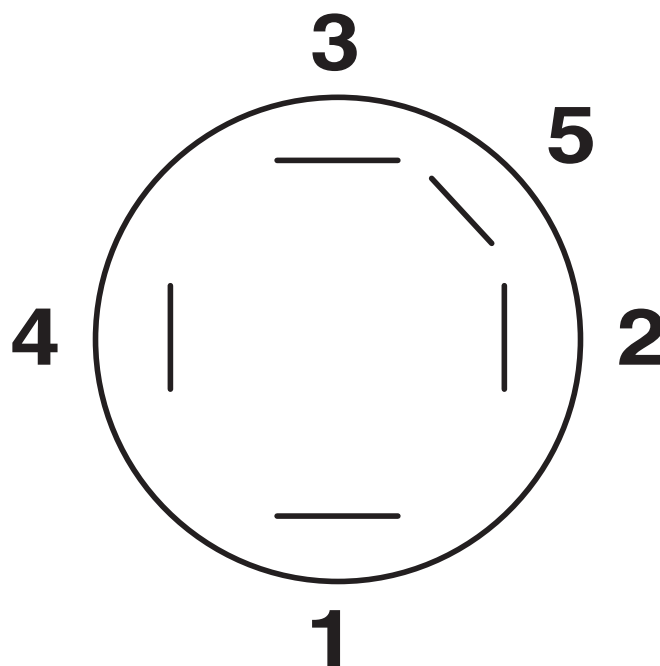
1175445

<https://www.phoenixcontact.com/us/products/1175445>

Functional drawing



Schematic diagram



QUICKON connection, 5-pos.

SACB-4/ 8-PT QO - Distributor box



1175445

<https://www.phoenixcontact.com/us/products/1175445>

Circuit diagram



SACB-4/ 8-PT QO - Distributor box



1175445

<https://www.phoenixcontact.com/us/products/1175445>

Classifications

ECLASS

ECLASS-13.0	27440111
ECLASS-15.0	27440111

ETIM

ETIM 10.0	EC003558
-----------	----------

UNSPSC

UNSPSC 21.0	31251500
-------------	----------

SACB-4/ 8-PT QO - Distributor box



1175445

<https://www.phoenixcontact.com/us/products/1175445>

Environmental product compliance

EU RoHS

Fulfills EU RoHS substance requirements	Yes, No exemptions
---	--------------------

China RoHS

Environment friendly use period (EFUP)	EFUP-E
	No hazardous substances above the limits

EU REACH SVHC

REACH candidate substance (CAS No.)	No substance above 0.1 wt%
-------------------------------------	----------------------------

Phoenix Contact 2026 © - all rights reserved
<https://www.phoenixcontact.com>

Phoenix Contact USA
586 Fulling Mill Road
Middletown, PA 17057, United States
(+717) 944-1300
info@phoenixcon.com