

AXL SE SC - Cover

1167159

<https://www.phoenixcontact.com/us/products/1167159>



Please be informed that the data shown in this PDF document is generated from our online catalog. Please find the complete data in the user documentation. Our general terms of use for downloads are valid.

Axioline Smart Elements, Slot cover, degree of protection: IP20



Product description

You can integrate Axioline Smart Elements into systems with the Smart Element interface. This Smart Element covers an unused Smart Element slot.

Your advantages

- Protects an unused Smart Element slot

Commercial data

Item number	1167159
Packing unit	1 pc
Minimum order quantity	1 pc
Sales key	DR05
Product key	DRIBZ4
GTIN	4063151182151
Weight per piece (including packing)	19.1 g
Weight per piece (excluding packing)	19.1 g
Customs tariff number	85389099
Country of origin	DE

Technical data

Notes

Note on application

Note on application	Only for industrial use
---------------------	-------------------------

Product properties

Product type	Cover
Product family	Axioline Smart Elements
Type	modular
Mounting position	See the system in which the Smart Element is used.

System properties

Programming data (LocalbusSlave)

Process data channel	0 bit (All systems except PROFIBUS)
Input address area	0 Byte (All systems except PROFIBUS) 1 Byte (PROFIBUS)
Output address area	0 Byte

Fieldbus data telegram

Required parameter data	1 Byte
Required configuration data	6 Byte

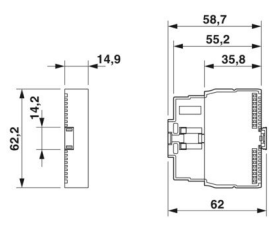
Electrical properties

Maximum power dissipation for nominal condition	0 W
---	-----

Connection data

Connection method	without
-------------------	---------

Dimensions

Dimensional drawing	
Width	14.9 mm
Height	62.2 mm
Depth	62 mm

Material specifications

Color (Housing)	gray (RAL 7042)
-----------------	-----------------

AXL SE SC - Cover

1167159

<https://www.phoenixcontact.com/us/products/1167159>



Mounting

Mounting type	Plug-in mounting (Smart Element slot)
Mounting position	See the system in which the Smart Element is used.

AXL SE SC - Cover

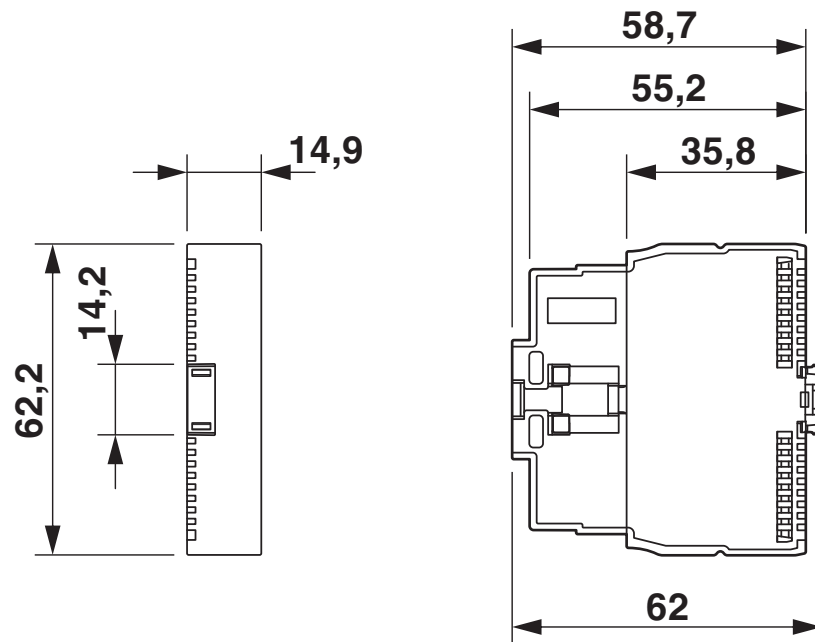
1167159

<https://www.phoenixcontact.com/us/products/1167159>



Drawings

Dimensional drawing



Dimensions

AXL SE SC - Cover



1167159

<https://www.phoenixcontact.com/us/products/1167159>

Approvals

To download certificates, visit the product detail page: <https://www.phoenixcontact.com/us/products/1167159>

DNV

Approval ID: TAA00003B0



LR

Approval ID: LR23402057TA



RINA

Approval ID: ELE263623XG

ABS

Approval ID: 24-2510075-PDA



cULus Listed

Approval ID: E238705

AXL SE SC - Cover

1167159

<https://www.phoenixcontact.com/us/products/1167159>



Classifications

ECLASS

ECLASS-13.0	27242692
ECLASS-15.0	27242692

ETIM

ETIM 10.0	EC002584
-----------	----------

UNSPSC

UNSPSC 21.0	32151600
-------------	----------

1167159

<https://www.phoenixcontact.com/us/products/1167159>

Environmental product compliance

EU RoHS

Fulfills EU RoHS substance requirements	Yes, No exemptions
---	--------------------

China RoHS

Environment friendly use period (EFUP)	EFUP-E
	No hazardous substances above the limits

EU REACH SVHC

REACH candidate substance (CAS No.)	No substance above 0.1 wt%
-------------------------------------	----------------------------

EF3.1 Climate Change

CO2e kg	0.115 kg CO2e
---------	---------------

Phoenix Contact 2026 © - all rights reserved
<https://www.phoenixcontact.com>

Phoenix Contact USA
586 Fulling Mill Road
Middletown, PA 17057, United States
(+717) 944-1300
info@phoenixcon.com