

SACC-DSI-M12FSL-4CON-M16XL/0,5 - Device connector rear mounting



1163053

<https://www.phoenixcontact.com/us/products/1163053>

Please be informed that the data shown in this PDF document is generated from our online catalog. Please find the complete data in the user documentation. Our general terms of use for downloads are valid.



Device connector rear mounting, Power, 4-position, Socket, straight, M12, L-coding, on free cable end, Individual wires, cable length: 0.5 m, 2.50 mm², PEX litz wire, Alternative product in accordance with RoHS II without Exemption 6c (Pb < 0.1 %) item no.: 1238566

Your advantages

- For compact devices: transmit high power in a confined space
- Easy-to-install, optimized XL housing contour with wrench size 19
- Mechanical tightening limitation for long-term-stable gasket
- Preassembled with litz wires for immediate use
- Customer-specific assemblies and litz wire lengths available
- Sealed on the litz wire side for optimum leak-tightness
- For high transmission safety: shield connection to the housing with optional EMC nut

Commercial data

Item number	1163053
Packing unit	1 pc
Minimum order quantity	1 pc
Sales key	AB24
Product key	ABQCHG
GTIN	4063151174026
Weight per piece (including packing)	22.22 g
Weight per piece (excluding packing)	77.863 g
Customs tariff number	85444290
Country of origin	DE

SACC-DSI-M12FSL-4CON-M16XL/0,5 - Device connector rear mounting



1163053

<https://www.phoenixcontact.com/us/products/1163053>

Technical data

Notes

Notes on operation	The electrical and mechanical data specified assume that the connector pair is correctly locked and mounted. If the connector is unlocked and if there is a danger of contamination, the connector must be sealed using a protective cap > IP54. Influences arising from litz wires, cables or PCB assembly must also be taken into consideration.
Order information:	Lock nut is included in the scope of delivery

Mounting

Mounting type	Rear mounting
---------------	---------------

Product properties

Product type	Circular connectors (device side)
Sensor type	Power
Number of positions	4
No. of cable outlets	1
Shielded	no
Coding	L
Thread type	M12

Insulation characteristics

Overvoltage category	III
Degree of pollution	3

Material specifications

Flammability rating according to UL 94	V0
Seal material	FKM
Contact material	CuZn
Contact surface material	Au
Contact carrier material	PA
Material for screw connection	Zinc die-cast, nickel-plated
Conductor material	Tin-plated Cu litz wires

Electrical properties

Rated surge voltage	1.5 kV
Rated surge voltage	1.5 kV AC/DC
Nominal voltage U_N	63 V
Nominal current I_N	16 A
Test voltage	1.5 kV

Connection data

SACC-DSI-M12FSL-4CON-M16XL/0,5 - Device connector rear mounting



1163053

<https://www.phoenixcontact.com/us/products/1163053>

Conductor connection

Connection method	Individual wires
Contact connection type	Socket
Conductor cross-section	2.5 mm ²

Mechanical properties

Mechanical data

Insertion/withdrawal cycles	> 100
-----------------------------	-------

Connector

Connection 1

Head design	Socket
Head cable outlet	straight
Head thread type	M12
Coding	L

Connection 2

Head design	free cable end
-------------	----------------

Cable/line

Cable length	0.5 m
Cable type	PEX litz wire
Signal type/category	Power
Single wire, color	brown 1, white 2, blue 3, black 4
Cable cross section	2.5 mm ²
Conductor material	Tin-plated Cu litz wires
AWG signal line	14
Material wire insulation	PE-X
Halogen-free	according to IEC 60754-1
Flame resistance	in acc. with UL FT-2
Ambient temperature (operation)	-40 °C ... 85 °C (without mechanical actuation)
	-40 °C ... 85 °C (without mechanical actuation)
	-25 °C ... 105 °C (Cable, flexible installation)

Environmental and real-life conditions

Ambient conditions

Degree of protection	IP67
	IP65/IP67
Ambient temperature (operation) (male connector/female connector)	-25 °C ... 85 °C (Plug / socket)
Ambient temperature (operation) (Cable, fixed installation)	-40 °C ... 85 °C (without mechanical actuation)
Ambient temperature (operation) (Cable, flexible installation)	-25 °C ... 105 °C (Cable, flexible installation)

SACC-DSI-M12FSL-4CON-M16XL/0,5 - Device connector rear mounting



1163053

<https://www.phoenixcontact.com/us/products/1163053>

Ambient temperature (operation) (Cable, fixed installation)	-40 °C ... 105 °C (cable, fixed installation)
---	---

Standards and regulations

Flame resistance	in acc. with UL FT-2
Standard designation	M12 circular connector
Standards/specifications	according to IEC 61076-2-111

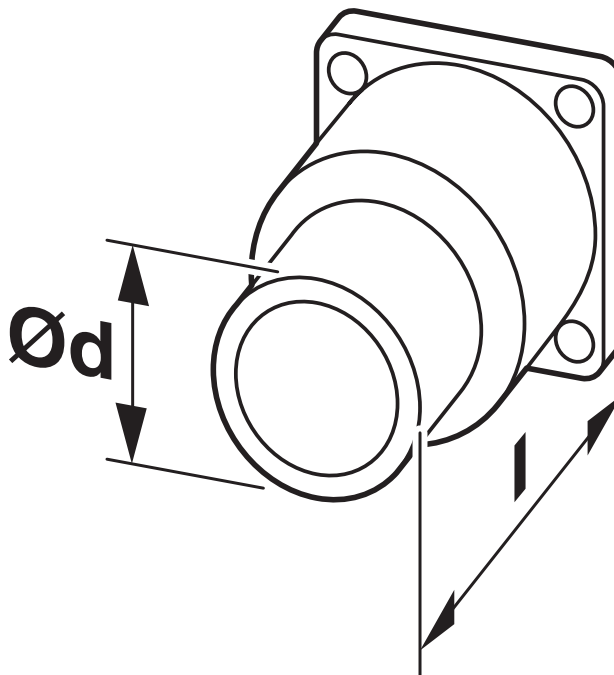
SACC-DSI-M12FSL-4CON-M16XL/0,5 - Device connector rear mounting

1163053

<https://www.phoenixcontact.com/us/products/1163053>

Drawings

Dimensional drawing



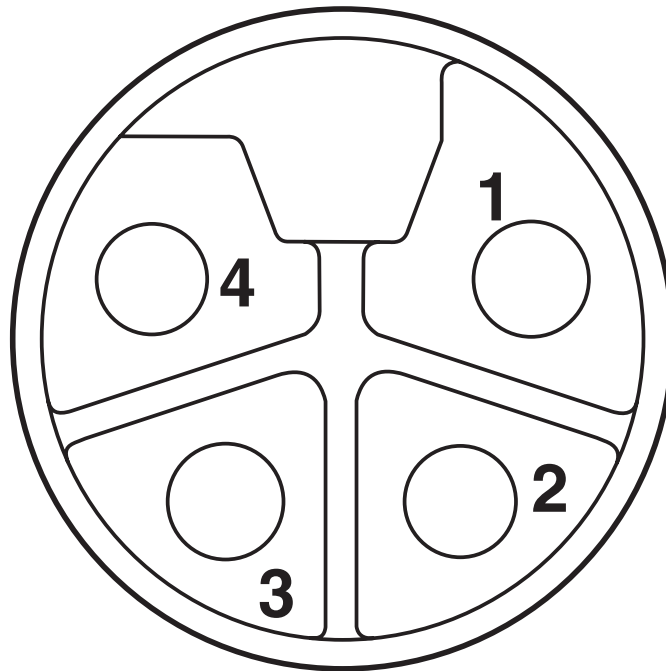
Technical drawings can be found under Downloads

SACC-DSI-M12FSL-4CON-M16XL/0,5 - Device connector rear mounting

1163053

<https://www.phoenixcontact.com/us/products/1163053>

Schematic diagram



Pin assignment of M12 socket, 4-pos., L-coded, socket side view

SACC-DSI-M12FSL-4CON-M16XL/0,5 - Device connector rear mounting



1163053

<https://www.phoenixcontact.com/us/products/1163053>

Classifications

ECLASS

ECLASS-13.0

27440116

ETIM

ETIM 9.0

EC002635

UNSPSC

UNSPSC 21.0

39121400

SACC-DSI-M12FSL-4CON-M16XL/0,5 - Device connector rear mounting



1163053

<https://www.phoenixcontact.com/us/products/1163053>

Environmental product compliance

EU RoHS

Fulfills EU RoHS substance requirements	Yes
Exemption	6(c)

China RoHS

Environment friendly use period (EFUP)	EFUP-50
	An article-related China RoHS declaration table can be found in the download area for the respective article under "Manufacturer declaration". For all articles with EFUP-E, no China RoHS declaration table issued and required.

EU REACH SVHC

REACH candidate substance (CAS No.)	Lead(CAS: 7439-92-1)
SCIP	b8762083-e906-4ede-8585-a8ae997e87c2

Phoenix Contact 2026 © - all rights reserved
<https://www.phoenixcontact.com>

Phoenix Contact USA
586 Fulling Mill Road
Middletown, PA 17057, United States
(+717) 944-1300
info@phoenixcon.com