

# VIP-PA-2X14/26/ 4,0M/1756/062 - Front adapter



1162595

<https://www.phoenixcontact.com/us/products/1162595>

Please be informed that the data shown in this PDF document is generated from our online catalog. Please find the complete data in the user documentation. Our general terms of use for downloads are valid.



VIP VARIOFACE front adapter, with connected system cables for ControlLogix® 1756 I/O. Up to 2 x 8 channels can be connected.

## Your advantages

- Individual I/O modules lock to the controller for connection security
- Disconnect lever aids in removal from I/O card
- Marking label can be attached
- Pluggable screw terminals on adapter for power connection

## Commercial data

Item number	1162595
Packing unit	1 pc
Minimum order quantity	1 pc
Note	Made to order (non-returnable)
Sales key	C423
Product key	DK232R
GTIN	4063151172589
Weight per piece (excluding packing)	700 g
Customs tariff number	85444290
Country of origin	DE

# VIP-PA-2X14/26/ 4,0M/1756/062 - Front adapter



1162595

<https://www.phoenixcontact.com/us/products/1162595>

## Technical data

### Product properties

Product type	Front adapter
Product family	VARIOFACE Professional

### Electrical properties

Operating voltage (AC)	≤ 120 V AC
Current (Per path)	≤ 1 A
Current (per group, positive terminals)	≤ 3 A
Current (per group, negative terminals)	≤ 8 A

Supported controller: ALLEN-BRADLEY ControlLogix

Suitable I/O card	1756-IA16
	1756-IB16
	1756-IC16
	1756-IN16

### Connection data

#### Controller level

Connection method	Plug-in connection
Note	Can be plugged onto 20-pos. I/O modules

#### Field level

Connection in acc. with standard	IEC 60603-13
Connection method	IDC/FLK socket strip
Number of connections	2
Number of positions	14
Pitch	2.54 mm

#### Supply

Connection method	Push-in / plug connection
Stripping length	9 mm
Conductor cross-section rigid	0.14 mm <sup>2</sup> ... 1.5 mm <sup>2</sup>
Conductor cross-section flexible	0.14 mm <sup>2</sup> ... 1.5 mm <sup>2</sup>
Conductor cross-section AWG	26 ... 16

### Dimensions

#### Item dimensions

Width	344.822 mm
Height	47.352 mm
Depth	56.345 mm

#### Cable

# VIP-PA-2X14/26/ 4,0M/1756/062 - Front adapter



1162595

<https://www.phoenixcontact.com/us/products/1162595>

Length	4 m
--------	-----

## Cable/line

### 14X0.14 [PVC]

UL AWM Style	2464/1061
Number of positions	14
Shielded	no
Cable type	14X0.14 [PVC]
Conductor type	Round cable set
Conductor structure signal line	7x 0.16 mm
AWG signal line	26
Conductor cross-section	14x 0.14 mm <sup>2</sup>
Wire diameter incl. insulation	1 mm ±0.03 mm
External cable diameter	6.40 mm ±0.4 mm
Outer sheath, material	Semi-rigid PVC
External sheath, color	gray
Conductor material	Tin-plated Cu litz wires
Cable resistance	≤ 145 Ω/km (20 °C)
Insulation resistance	≥ 20 MΩ*km (20 °C)
Smallest bending radius, fixed installation	55 mm
Smallest bending radius, movable installation	104 mm
Dynamic load capacity (bending)	Max. bending cycles: 5000 (at a radius of ≥ 15x outside diameter)
Halogen-free	no
Flame resistance	IEC 60332-1-2 (raw cable) VDE 0842, Part 332-1-2 (raw cable) IEC 60332-3-22 (raw cable) UL VW-1 CSA FT-1
Resistance to oil	can withstand occasional splashes (raw cable)
Cable type	Front adapter with splitting cable for two modules

## Environmental and real-life conditions

### Ambient conditions

Degree of protection	IP20
Ambient temperature (operation)	0 °C ... 60 °C
Ambient temperature (storage/transport)	0 °C ... 80 °C
Altitude	≤ 2000 m (Above sea level)
Permissible humidity (operation)	≤ 95 % (non-condensing)

## Standards and regulations

Standards/regulations	UL 61010-2-201
-----------------------	----------------

## Notes

# VIP-PA-2X14/26/ 4,0M/1756/062 - Front adapter



1162595

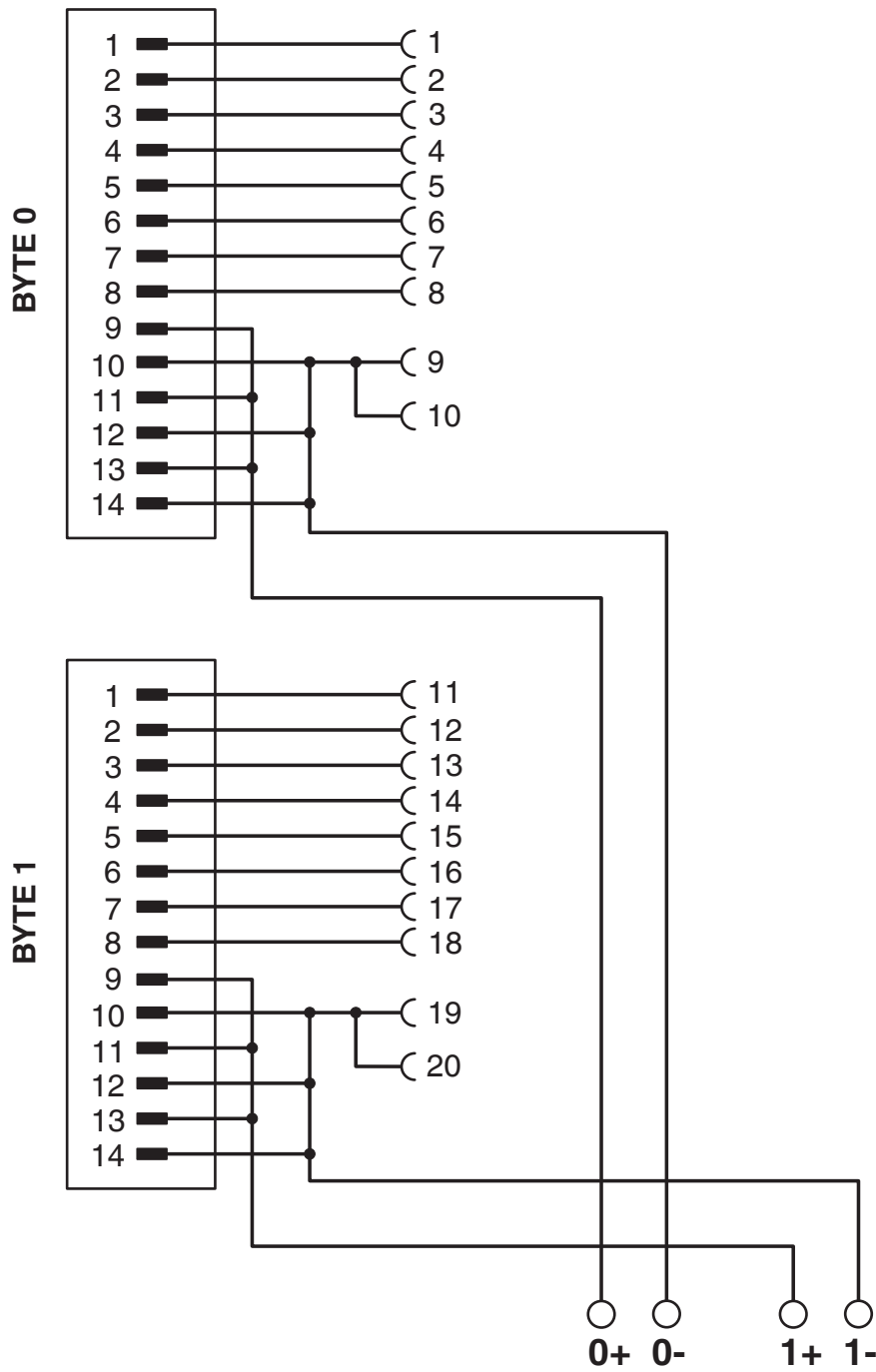
<https://www.phoenixcontact.com/us/products/1162595>

## Notes on operation

For proper use, the specifications of the installation directive (see Downloads) must be observed. For applications or use with third-party products, the specifications, and the safety and warning instructions of the respective third-party manufacturer must also be met.

Drawings

Circuit diagram



1162595

<https://www.phoenixcontact.com/us/products/1162595>

## Approvals

To download certificates, visit the product detail page: <https://www.phoenixcontact.com/us/products/1162595>



**UL classified**

Approval ID: E238705



**cUL Classified**

Approval ID: E238705



**cUL Recognized**

Approval ID: E196811



**UL Recognized**

Approval ID: E196811

# VIP-PA-2X14/26/ 4,0M/1756/062 - Front adapter



1162595

<https://www.phoenixcontact.com/us/products/1162595>

## Classifications

### ECLASS

ECLASS-13.0	27242292
ECLASS-15.0	27242292

### ETIM

ETIM 10.0	EC002584
-----------	----------

1162595

<https://www.phoenixcontact.com/us/products/1162595>

## Environmental product compliance

### EU RoHS

Fulfills EU RoHS substance requirements	Yes
Exemption	6(c)

### China RoHS

Environment friendly use period (EFUP)	EFUP-50
	An article-related China RoHS declaration table can be found in the download area for the respective article under "Manufacturer declaration". For all articles with EFUP-E, no China RoHS declaration table issued and required.

### EU REACH SVHC

REACH candidate substance (CAS No.)	Lead(CAS: 7439-92-1)
SCIP	02afa872-df08-43df-913f-f051e612e5f9

Phoenix Contact 2026 © - all rights reserved

<https://www.phoenixcontact.com>

Phoenix Contact USA  
586 Fulling Mill Road  
Middletown, PA 17057, United States  
(+717) 944-1300  
[info@phoenixcon.com](mailto:info@phoenixcon.com)