

VIP-PA-2X14/26/ 1,0M/1756/061 - Front adapter



1162578

<https://www.phoenixcontact.com/us/products/1162578>

Please be informed that the data shown in this PDF document is generated from our online catalog. Please find the complete data in the user documentation. Our general terms of use for downloads are valid.



VIP VARIOFACE front adapter, with connected system cables for ControlLogix® 1756 I/O. Up to 2 x 4 channels can be connected.

Your advantages

- Individual I/O modules lock to the controller for connection security
- Disconnect lever aids in removal from I/O card
- Marking label can be attached
- Pluggable screw terminals on adapter for power connection

Commercial data

Item number	1162578
Packing unit	1 pc
Minimum order quantity	1 pc
Note	Made to order (non-returnable)
Sales key	C423
Product key	DK232R
GTIN	4063151172381
Weight per piece (excluding packing)	320 g
Customs tariff number	85444290
Country of origin	DE

1162578

<https://www.phoenixcontact.com/us/products/1162578>

Technical data

Product properties

Product type	Front adapter
Product family	VARIOFACE Professional

Insulation characteristics

Overvoltage category	II
Pollution degree	2

Electrical properties

Operating voltage (DC)	≤ 60 V DC
Current (Per path)	≤ 1 A
Current (per group, positive terminals)	≤ 4 A
Current (per group, negative terminals)	≤ 4 A

Supported controller: ALLEN-BRADLEY ControlLogix

Suitable I/O card	1756-OB8
-------------------	----------

Connection data

Controller level

Connection method	Plug-in connection
Note	Can be plugged onto 20-pos. I/O modules

Field level

Connection in acc. with standard	IEC 60603-13
Connection method	IDC/FLK socket strip
Number of connections	2
Number of positions	14
Pitch	2.54 mm

Supply

Connection method	Push-in / plug connection
Stripping length	9 mm
Conductor cross-section rigid	0.14 mm ² ... 1.5 mm ²
Conductor cross-section flexible	0.14 mm ² ... 1.5 mm ²
Conductor cross-section AWG	26 ... 16

Dimensions

Item dimensions

Width	354.822 mm
Height	47.352 mm
Depth	56.345 mm

Cable

VIP-PA-2X14/26/ 1,0M/1756/061 - Front adapter



1162578

<https://www.phoenixcontact.com/us/products/1162578>

Length	1 m
--------	-----

Cable/line

14X0.14 [PVC]

UL AWM Style	2464/1061
Number of positions	14
Shielded	no
Cable type	14X0.14 [PVC]
Conductor type	Round cable set
Conductor structure signal line	7x 0.16 mm
AWG signal line	26
Conductor cross-section	14x 0.14 mm ²
Wire diameter incl. insulation	1 mm ±0.03 mm
External cable diameter	6.40 mm ±0.4 mm
Outer sheath, material	Semi-rigid PVC
External sheath, color	gray
Conductor material	Tin-plated Cu litz wires
Cable resistance	≤ 145 Ω/km (20 °C)
Insulation resistance	≥ 20 MΩ*km (20 °C)
Smallest bending radius, fixed installation	55 mm
Smallest bending radius, movable installation	104 mm
Dynamic load capacity (bending)	Max. bending cycles: 5000 (at a radius of ≥ 15x outside diameter)
Halogen-free	no
Flame resistance	IEC 60332-1-2 (raw cable) VDE 0842, Part 332-1-2 (raw cable) IEC 60332-3-22 (raw cable) UL VW-1 CSA FT-1
Resistance to oil	can withstand occasional splashes (raw cable)
Cable type	Front adapter with splitting cable for two modules

Environmental and real-life conditions

Ambient conditions

Degree of protection	IP20
Ambient temperature (operation)	0 °C ... 60 °C
Ambient temperature (storage/transport)	0 °C ... 80 °C
Altitude	≤ 2000 m (Above sea level)
Permissible humidity (operation)	0 % ... 95 % (non-condensing)

Standards and regulations

Standards/regulations	UL 61010-2-201
-----------------------	----------------

Notes

VIP-PA-2X14/26/ 1,0M/1756/061 - Front adapter



1162578

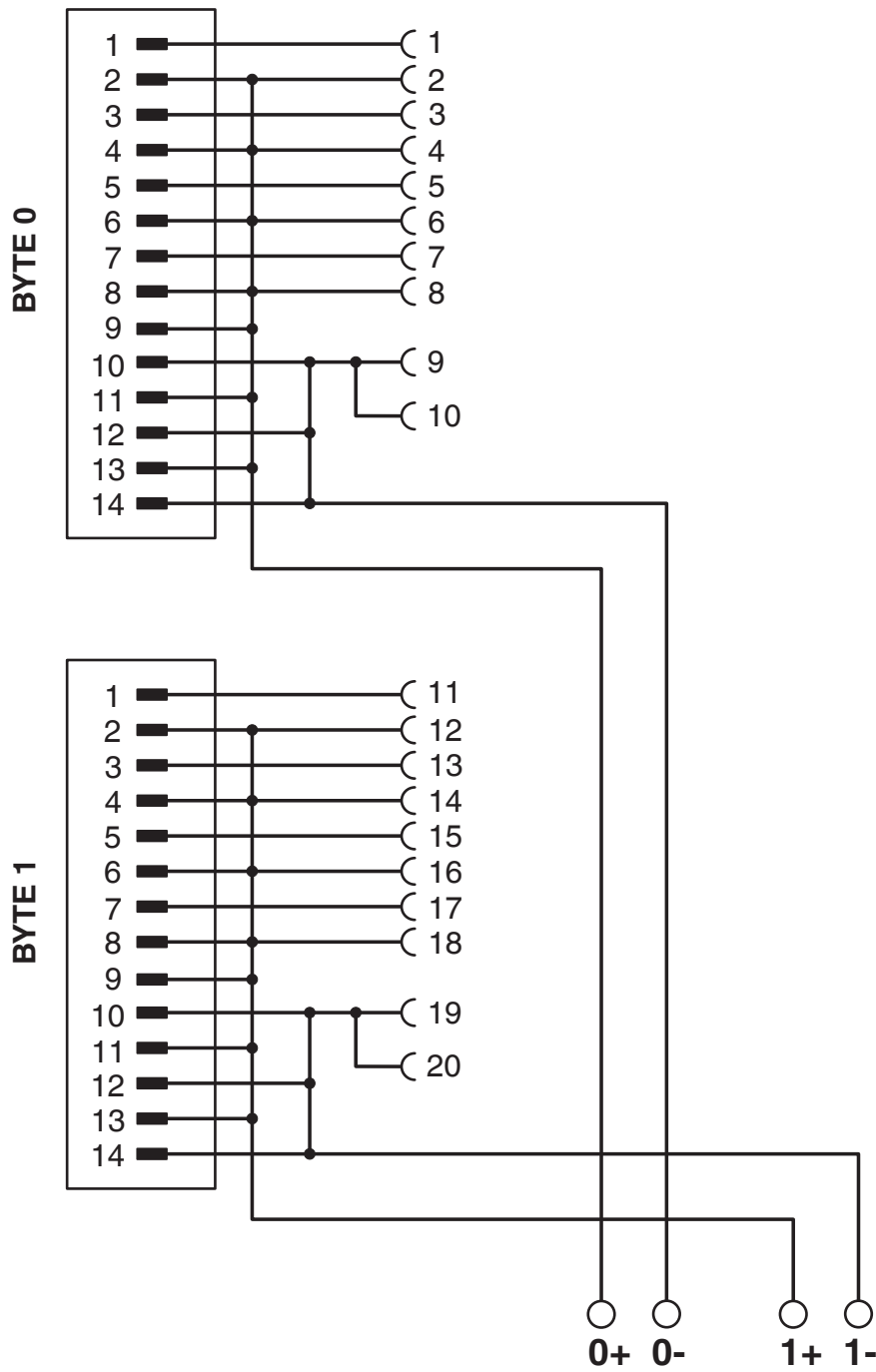
<https://www.phoenixcontact.com/us/products/1162578>

Notes on operation

For proper use, the specifications of the installation directive (see Downloads) must be observed. For applications or use with third-party products, the specifications, and the safety and warning instructions of the respective third-party manufacturer must also be met.

Drawings

Circuit diagram



1162578

<https://www.phoenixcontact.com/us/products/1162578>

Approvals

To download certificates, visit the product detail page: <https://www.phoenixcontact.com/us/products/1162578>



UL classified

Approval ID: E238705



cUL Classified

Approval ID: E238705



cUL Recognized

Approval ID: E196811



UL Recognized

Approval ID: E196811

VIP-PA-2X14/26/ 1,0M/1756/061 - Front adapter



1162578

<https://www.phoenixcontact.com/us/products/1162578>

Classifications

ECLASS

ECLASS-13.0	27242292
ECLASS-15.0	27242292

ETIM

ETIM 10.0	EC002584
-----------	----------

1162578

<https://www.phoenixcontact.com/us/products/1162578>

Environmental product compliance

EU RoHS

Fulfills EU RoHS substance requirements	Yes
Exemption	6(c)

China RoHS

Environment friendly use period (EFUP)	EFUP-50
	An article-related China RoHS declaration table can be found in the download area for the respective article under "Manufacturer declaration". For all articles with EFUP-E, no China RoHS declaration table issued and required.

EU REACH SVHC

REACH candidate substance (CAS No.)	Lead(CAS: 7439-92-1)
SCIP	639c2aa4-a913-4c37-b2b8-b3cb66b94537

Phoenix Contact 2026 © - all rights reserved

<https://www.phoenixcontact.com>

Phoenix Contact USA
 586 Fulling Mill Road
 Middletown, PA 17057, United States
 (+717) 944-1300
info@phoenixcon.com