

# VIP-PA-50/26/ 1,0M/1756/020 - Front adapter



1162419

<https://www.phoenixcontact.com/us/products/1162419>

Please be informed that the data shown in this PDF document is generated from our online catalog. Please find the complete data in the user documentation. Our general terms of use for downloads are valid.



VIP VARIOFACE front adapter, with connected system cables for ControlLogix® 1756 I/O. Up to 1 x 16 channels can be connected.

## Your advantages

- Individual I/O modules lock to the controller for connection security
- Integrated lever aids in removal from I/O card
- Marking label can be attached

## Commercial data

Item number	1162419
Packing unit	1 pc
Minimum order quantity	1 pc
Note	Made to order (non-returnable)
Sales key	C423
Product key	DK232R
GTIN	4063151172923
Weight per piece (excluding packing)	348 g
Customs tariff number	85444290
Country of origin	DE

1162419

<https://www.phoenixcontact.com/us/products/1162419>

## Technical data

### Product properties

Product type	Front adapter
Product family	VARIOFACE Professional

### Insulation characteristics

Overvoltage category	II
Pollution degree	2

### Electrical properties

Operating voltage (AC)	≤ 25 V AC
Operating voltage (DC)	≤ 60 V DC
Current (Per path)	≤ 1 A

### Supported controller: ALLEN-BRADLEY ControlLogix

Suitable I/O card	1756-IB16D
	1756-IB16I
	1756-OB16I
	1756-IB16IF
	1756-IB16ISOE
	1756-OB16IEF
	1756-OB16IEFS
	1756-OB16IS

### Connection data

#### Controller level

Connection method	Plug-in connection
Note	Can be plugged onto 36-pos. I/O modules

#### Field level

Connection method	IDC/FLK socket strip
Number of connections	1
Number of positions	50
Pitch	2.54 mm

### Dimensions

#### Item dimensions

Width	350.48 mm
Height	68.07 mm
Depth	56.35 mm

#### Cable

Length	1 m
--------	-----

# VIP-PA-50/26/ 1,0M/1756/020 - Front adapter



1162419

<https://www.phoenixcontact.com/us/products/1162419>

## Cable/line

50X0.14 [PVC]

UL AWM Style	2464/1061
Number of positions	50
Shielded	no
Cable type	50X0.14 [PVC]
Conductor type	Round cable set
Conductor structure signal line	7x 0.16 mm
AWG signal line	26
Conductor cross-section	50x 0.14 mm <sup>2</sup>
Wire diameter incl. insulation	1 mm ±0.03 mm
External cable diameter	10.30 mm ±0.4 mm
Outer sheath, material	Semi-rigid PVC
External sheath, color	gray
Conductor material	Tin-plated Cu litz wires
Cable resistance	≤ 145 Ω/km (20 °C)
Insulation resistance	≥ 20 MΩ*km (20 °C)
Smallest bending radius, fixed installation	86 mm
Smallest bending radius, movable installation	161 mm
Dynamic load capacity (bending)	Max. bending cycles: 5000 (at a radius of ≥ 15x outside diameter)
Halogen-free	no
Flame resistance	IEC 60332-1-2 (raw cable) VDE 0842, Part 332-1-2 (raw cable) IEC 60332-3-22 (raw cable) UL VW-1 CSA FT-1
Resistance to oil	can withstand occasional splashes (raw cable)
Cable type	Front adapter with cable for one module

## Environmental and real-life conditions

Ambient conditions

Degree of protection	IP20
Ambient temperature (operation)	0 °C ... 60 °C
Ambient temperature (storage/transport)	0 °C ... 80 °C
Altitude	≤ 2000 m (Above sea level)
Permissible humidity (operation)	0 % ... 95 % (non-condensing)

## Standards and regulations

Standards/regulations	UL 61010-2-201
-----------------------	----------------

## Notes

Notes on operation	For proper use, the specifications of the installation directive (see
--------------------	---

# VIP-PA-50/26/ 1,0M/1756/020 - Front adapter



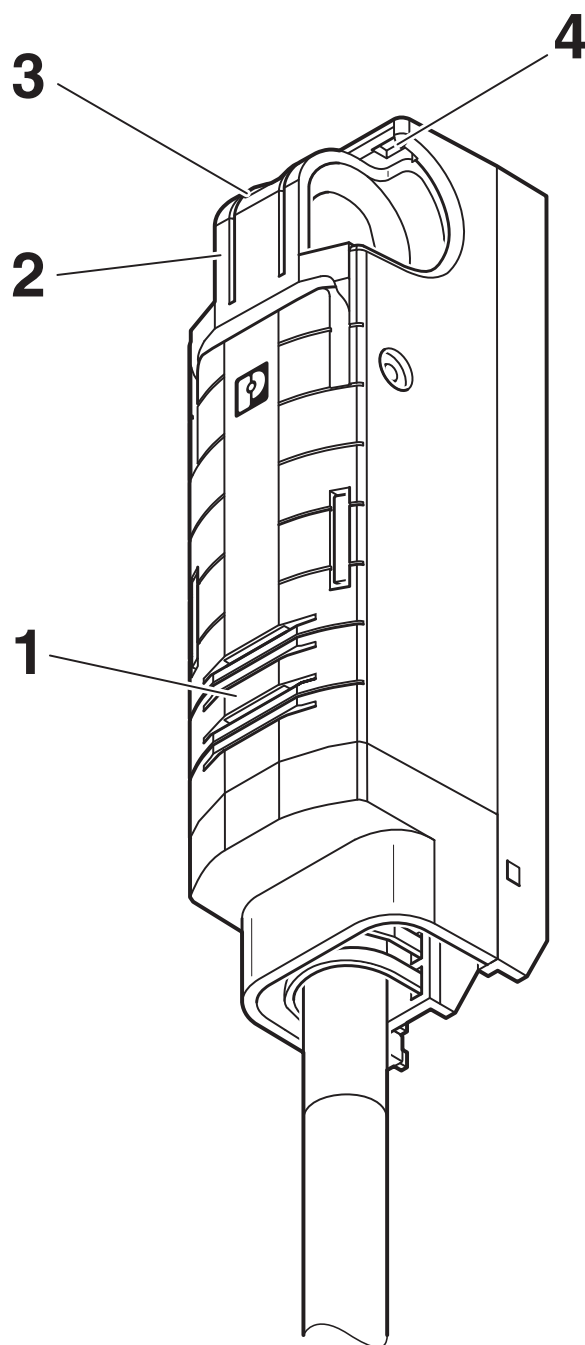
1162419

<https://www.phoenixcontact.com/us/products/1162419>

Downloads) must be observed. For applications or use with third-party products, the specifications, and the safety and warning instructions of the respective third-party manufacturer must also be met.

## Drawings

Schematic diagram

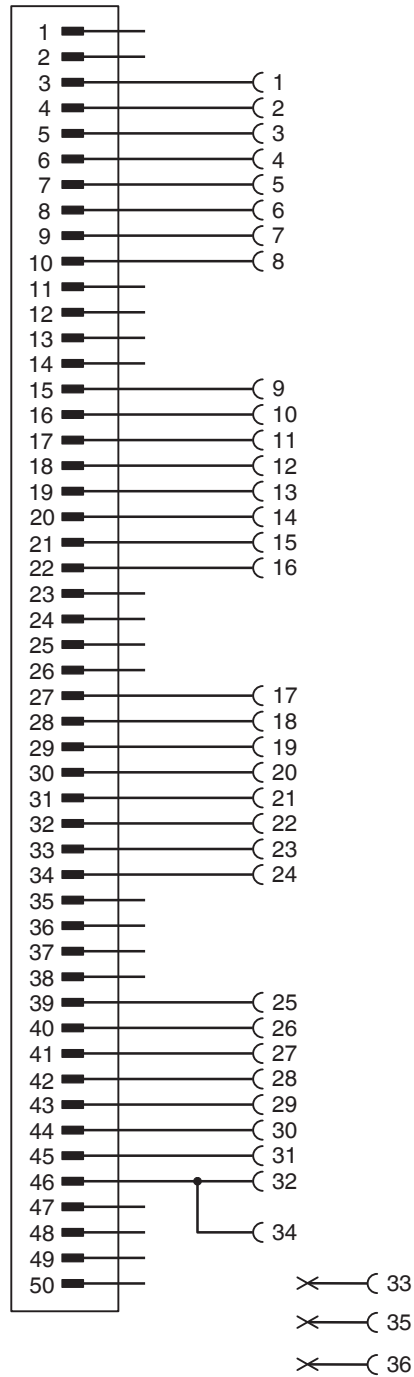


- 1 Marker slots
- 2 Front adapter removal lever
- 3 Screwdriver slot
- 4 Slot for locking tab

1162419

<https://www.phoenixcontact.com/us/products/1162419>

Circuit diagram



1162419

<https://www.phoenixcontact.com/us/products/1162419>

## Approvals

To download certificates, visit the product detail page: <https://www.phoenixcontact.com/us/products/1162419>



**UL classified**

Approval ID: E238705



**cUL Classified**

Approval ID: E238705



**cUL Recognized**

Approval ID: E196811



**UL Recognized**

Approval ID: E196811

# VIP-PA-50/26/ 1,0M/1756/020 - Front adapter



1162419

<https://www.phoenixcontact.com/us/products/1162419>

## Classifications

### ECLASS

ECLASS-13.0	27242292
ECLASS-15.0	27242292

### ETIM

ETIM 10.0	EC002584
-----------	----------

1162419

<https://www.phoenixcontact.com/us/products/1162419>

## Environmental product compliance

### EU RoHS

Fulfills EU RoHS substance requirements	Yes
Exemption	6(c)

### China RoHS

Environment friendly use period (EFUP)	EFUP-50
	An article-related China RoHS declaration table can be found in the download area for the respective article under "Manufacturer declaration". For all articles with EFUP-E, no China RoHS declaration table issued and required.

### EU REACH SVHC

REACH candidate substance (CAS No.)	Lead(CAS: 7439-92-1)
SCIP	57a6263f-63ff-4c2a-9215-12622d4116e6

Phoenix Contact 2026 © - all rights reserved

<https://www.phoenixcontact.com>

Phoenix Contact USA  
586 Fulling Mill Road  
Middletown, PA 17057, United States  
(+717) 944-1300  
[info@phoenixcon.com](mailto:info@phoenixcon.com)