

EV-T1CCS-MF-M4X10-BIT-C - Repair kit



1158266

<https://www.phoenixcontact.com/us/products/1158266>

Please be informed that the data shown in this PDF document is generated from our online catalog. Please find the complete data in the user documentation. Our general terms of use for downloads are valid.



CHARX connect standard, CCS type 1, Repair kit, Accessories, Screw mounting, housing: black, with DC contact holder with integrated front part of the DC contacts, with replaceable mating face frame, with 5x M4X10 flat-head screws with Torx safety drive (IPR TORX PLUS®), with special bit (867/4 IPR TORX PLUS® bit, 20 IPR x 89 mm) for insulated screwdriver, for replacement of the mating face frame of vehicle charging connectors, IEC 62196-3, SAE J1772, The vehicle connector housing does not have to be opened in order to replace the mating face frame.

Product description

Repair kit with replaceable mating face frame for CCS type 1 DC vehicle charging connector

Your advantages

- Complete product range
- Developed and produced in accordance with the IATF 16949 automotive standard and ISO 9001
- Maintenance-friendly replacement of the mating face frame without draining the coolant

Commercial data

Item number	1158266
Packing unit	1 pc
Minimum order quantity	1 pc
Sales key	EM01
Product key	XWBMGY
GTIN	4063151163297
Weight per piece (including packing)	274.4 g
Weight per piece (excluding packing)	274 g
Customs tariff number	85389099
Country of origin	PL

EV-T1CCS-MF-M4X10-BIT-C - Repair kit



1158266

<https://www.phoenixcontact.com/us/products/1158266>

Technical data

Product properties

Product type	Repair kit
Product family	CHARX connect standard
Type	Accessories
Design	with DC contact holder with integrated front part of the DC contacts
	with replaceable mating face frame
	with 5x M4X10 flat-head screws with Torx safety drive (IPR TORX PLUS®)
	with special bit (867/4 IPR TORX PLUS® bit, 20 IPR x 89 mm) for insulated screwdriver
Charging standard	CCS type 1
Charging mode	Mode 4

Material specifications

Color (Housing)	black (9005)
Material (Housing)	Plastic

Environmental and real-life conditions

Ambient conditions

Ambient temperature (operation)	-30 °C ... 50 °C
Ambient temperature (storage/transport)	-40 °C ... 80 °C

Standards and regulations

Standards

Standards/regulations	IEC 62196-3
	SAE J1772

Mounting

Mounting type	Screw mounting
---------------	----------------

EV-T1CCS-MF-M4X10-BIT-C - Repair kit

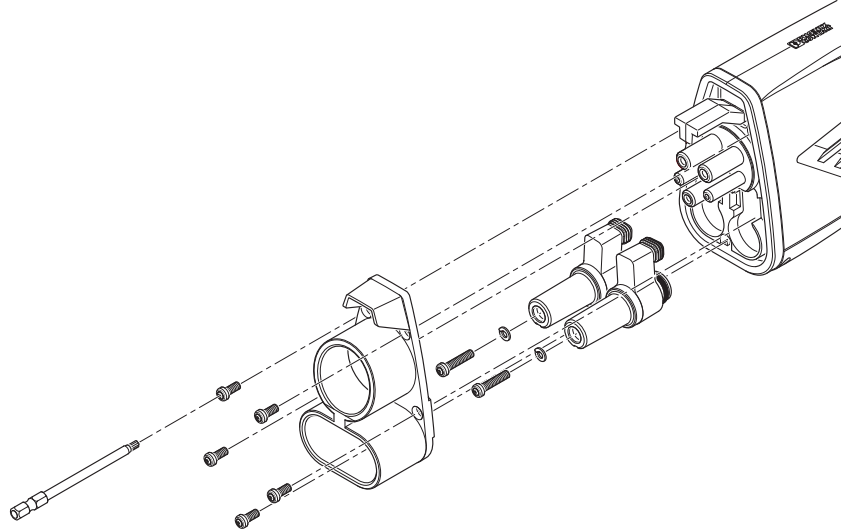


1158266

<https://www.phoenixcontact.com/us/products/1158266>

Drawings

Schematic diagram



Assembly drawing

EV-T1CCS-MF-M4X10-BIT-C - Repair kit



1158266

<https://www.phoenixcontact.com/us/products/1158266>

Classifications

ECLASS

ECLASS-13.0	27144792
ECLASS-15.0	27144792

ETIM

ETIM 10.0	EC002884
-----------	----------

UNSPSC

UNSPSC 21.0	39121500
-------------	----------

EV-T1CCS-MF-M4X10-BIT-C - Repair kit



1158266

<https://www.phoenixcontact.com/us/products/1158266>

Environmental product compliance

EU RoHS

Fulfills EU RoHS substance requirements	Yes, No exemptions
---	--------------------

China RoHS

Environment friendly use period (EFUP)	EFUP-E
	No hazardous substances above the limits

EU REACH SVHC

REACH candidate substance (CAS No.)	No substance above 0.1 wt%
-------------------------------------	----------------------------

Phoenix Contact 2026 © - all rights reserved
<https://www.phoenixcontact.com>

Phoenix Contact USA
586 Fulling Mill Road
Middletown, PA 17057, United States
(+717) 944-1300
info@phoenixcon.com