

FQ 1,27D/ 20-SV- 490-1-BR - Female strip

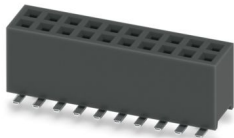
1156835

<https://www.phoenixcontact.com/us/products/1156835>

Please be informed that the data shown in this PDF document is generated from our online catalog. Please find the complete data in the user documentation. Our general terms of use for downloads are valid.



SMD socket, nominal current: 1 A, test voltage: 500 V AC, number of positions: 20, pitch: 1.27 mm, color: black, contact surface: Au, contact connection type: Socket, mounting: SMD soldering



Your advantages

- Reliable mechanical and electrical connections thanks to the double-sided contact system
- Designed for integration into the SMT soldering process
- Clear and cost-optimized design
- Suitable for a multitude of applications

Commercial data

| | |
|--------------------------------------|---------------|
| Item number | 1156835 |
| Packing unit | 900 pc |
| Minimum order quantity | 900 pc |
| Sales key | AA24 |
| Product key | AAXAAF |
| GTIN | 4063151160234 |
| Weight per piece (including packing) | 0.838 g |
| Weight per piece (excluding packing) | 0.6 g |
| Customs tariff number | 85366930 |
| Country of origin | CN |

FQ 1,27D/ 20-SV- 490-1-BR - Female strip

1156835

<https://www.phoenixcontact.com/us/products/1156835>

Technical data

Notes

| | |
|--------------------|----------------------------------------------------------------------------------------------------------------------------------------------------------------------------------------------------------------------|
| Notes on operation | The permissible voltage during operation depends on the application, taking into consideration the air clearances and creepage distances within the scope of insulation requirements in accordance with IEC 60664-1. |
|--------------------|----------------------------------------------------------------------------------------------------------------------------------------------------------------------------------------------------------------------|

Product properties

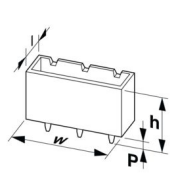
| | |
|---------------------|---------------------|
| Product type | SMD socket |
| Product family | FQ 1,27D/...-SV |
| Number of positions | 20 |
| Pitch | 1.27 mm |
| Number of rows | 2 |
| Pin layout | Linear pad geometry |

Electrical properties

Properties

| | |
|-----------------------|--------------------------------|
| Nominal current I_N | 1 A (at 20°C 80-pos.) |
| Contact resistance | 20 mΩ |
| Test voltage | 500 V AC IEC 60512-4-1:2003-05 |

Dimensions

| | |
|---------------------|--------------------------------------------------------------------------------------|
| Dimensional drawing |  |
| Pitch | 1.27 mm |
| Width [w] | 13.1 mm |
| Height [h] | 5.1 mm |
| Length [l] | 4.5 mm |
| Installed height | 4.6 mm |

Application

| | |
|---------------|-----------------------------------------------------------------------------------|
| Contact cover | 0.4 mm |
| Stack height | 6.2 mm Tolerance: +1.3 mm (in combination with Range of articles:FQ 2,54D/...-PV) |
| Wipe length | 1.3 mm |

PCB design

| | |
|--------------|----------------|
| Pad geometry | 0.76 x 2.05 mm |
|--------------|----------------|

Material specifications

FQ 1,27D/ 20-SV- 490-1-BR - Female strip



1156835

<https://www.phoenixcontact.com/us/products/1156835>

Material data - contact

| | |
|-------------------------------------------|----------------------------------------------------------------------------------|
| Note | WEEE/RoHS-compliant, free of whiskers according to IEC 60068-2-82/JEDEC JESD 201 |
| Contact material | Cu alloy |
| Surface characteristics | Selective coating |
| Metal surface contact area (top layer) | Gold (Au) |
| Metal surface contact area (middle layer) | Nickel (Ni) |
| Metal surface soldering area (top layer) | Tin (Sn) |

Material data - housing

| | |
|----------------------------------------|--------------|
| Color (Housing) | black (9005) |
| Insulating material | PA |
| Insulating material group | I |
| CTI according to IEC 60112 | 600 |
| Flammability rating according to UL 94 | V0 |

Connector

Connection 1

| | |
|----------------------------|-----|
| Insulating material | PA |
| CTI according to IEC 60112 | 600 |

Electrical tests

Thermal test | Test group C

| | |
|----------------------------|-----------------------|
| Specification | IEC 60512-5-2:2002-02 |
| Tested number of positions | 80 |

Insulation resistance

| | |
|----------------------------------------------|-----------------------|
| Specification | IEC 60512-3-1:2002-02 |
| Insulation resistance, neighboring positions | > 1 GΩ |

Air clearances and creepage distances |

| | |
|---------------------------------------------------|---------|
| Insulating material group | I |
| Minimum value for clearance and creepage distance | 0.25 mm |

Mechanical tests

Insertion and withdrawal forces

| | |
|-------------------------------------|-------------|
| Result | Test passed |
| No. of cycles | 100 |
| Insertion strength per pos. approx. | 1.2 N |
| Withdraw strength per pos. approx. | 1.2 N |

Visual inspection

| | |
|---------------|-----------------------|
| Specification | IEC 60512-1-1:2002-02 |
| Result | Test passed |

FQ 1,27D/ 20-SV- 490-1-BR - Female strip



1156835

<https://www.phoenixcontact.com/us/products/1156835>

Dimension check

| | |
|---------------|-----------------------|
| Specification | IEC 60512-1-2:2002-02 |
| Result | Test passed |

Environmental and real-life conditions

Durability test

| | |
|----------------------------------------------|-----------------------------------|
| Specification | IEC 60512-9-1:2010-03 (following) |
| Contact resistance R_1 | 20 m Ω |
| Contact resistance R_2 | 30 m Ω |
| Insertion/withdrawal cycles | 100 |
| Insulation resistance, neighboring positions | > 1 G Ω |

Vibration test

| | |
|------------------------|-----------------------|
| Specification | IEC 60068-2-6:2007-12 |
| Frequency | 10 - 55 - 10 Hz |
| Sweep speed | 1 octave/min |
| Amplitude | 1.52 mm |
| Acceleration | 181 m/s ² |
| Test duration per axis | 2 h |
| Test directions | X-, Y- and Z-axis |

Ambient conditions

| | |
|-----------------------------------------|-------------------|
| Ambient temperature (storage/transport) | -40 °C ... 70 °C |
| Relative humidity (storage/transport) | 30 % ... 70 % |
| Ambient temperature (assembly) | -5 °C ... 100 °C |
| Ambient temperature (operation) | -40 °C ... 125 °C |

Ambient conditions

| | |
|-----------------------------------------|-------------------|
| Ambient temperature (operation) | -40 °C ... 125 °C |
| Ambient temperature (storage/transport) | -40 °C ... 70 °C |
| Relative humidity (storage/transport) | 30 % ... 70 % |
| Ambient temperature (assembly) | -5 °C ... 100 °C |

Mounting

| | |
|---------------|---------------------|
| Mounting type | SMD soldering |
| Pin layout | Linear pad geometry |

Processing notes

| | |
|----------------------------------|------------------|
| Process | Reflow soldering |
| Moisture Sensitive Level | MSL 1 |
| Classification temperature T_c | 260 °C |

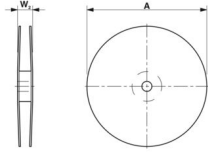
Packaging specifications

FQ 1,27D/ 20-SV- 490-1-BR - Female strip



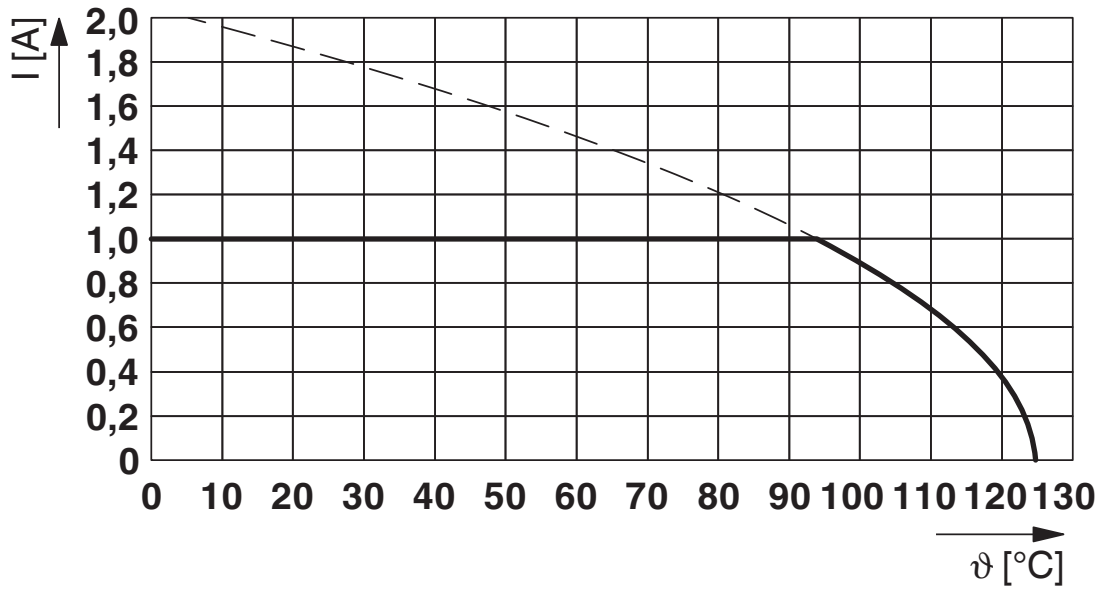
1156835

<https://www.phoenixcontact.com/us/products/1156835>

| | |
|-----------------------------|------------------------------------------------------------------------------------|
| Dimensional drawing |  |
| Type of packaging | 24 mm wide tape |
| [W] tape width | 24 mm |
| [W2] coil overall dimension | ≤ 30.4 mm |
| [A] coil diameter | ≤ 330 mm |
| Outer packaging type | Transparent-Bag |

Drawings

Diagram



Type: FQ 1,27D/...-SV- 490-1-BR with FQ 1,27D/...-PV- 160-1-BR

FQ 1,27D/ 20-SV- 490-1-BR - Female strip




1156835

<https://www.phoenixcontact.com/us/products/1156835>

Approvals

To download certificates, visit the product detail page: <https://www.phoenixcontact.com/us/products/1156835>

|  cULus Recognized Approval ID: E118976 | | | | |
|-----------------------------------------------------------------------------------------------------------------------------------|-----------------------|-----------------------|-------------------|-----------------------------|
| | Nominal voltage U_N | Nominal current I_N | Cross section AWG | Cross section mm^2 |
| keine | | | | |
| | 30 V | 1 A | - | - |

FQ 1,27D/ 20-SV- 490-1-BR - Female strip



1156835

<https://www.phoenixcontact.com/us/products/1156835>

Classifications

ECLASS

| | |
|-------------|----------|
| ECLASS-13.0 | 27460201 |
| ECLASS-15.0 | 27460201 |

ETIM

| | |
|-----------|----------|
| ETIM 10.0 | EC002637 |
|-----------|----------|

UNSPSC

| | |
|-------------|----------|
| UNSPSC 21.0 | 39121400 |
|-------------|----------|

1156835

<https://www.phoenixcontact.com/us/products/1156835>

Environmental product compliance

EU RoHS

| | |
|-----------------------------------------|--------------------|
| Fulfills EU RoHS substance requirements | Yes, No exemptions |
|-----------------------------------------|--------------------|

China RoHS

| | |
|----------------------------------------|------------------------------------------|
| Environment friendly use period (EFUP) | EFUP-E |
| | No hazardous substances above the limits |

EU REACH SVHC

| | |
|-------------------------------------|----------------------------|
| REACH candidate substance (CAS No.) | No substance above 0.1 wt% |
|-------------------------------------|----------------------------|

EF3.1 Climate Change

| | |
|---------|---------------|
| CO2e kg | 0.273 kg CO2e |
|---------|---------------|

Phoenix Contact 2026 © - all rights reserved
<https://www.phoenixcontact.com>

Phoenix Contact USA
586 Fulling Mill Road
Middletown, PA 17057, United States
(+717) 944-1300
info@phoenixcon.com