

# SACB-4/ 8-C QO - Distributor box



1156003

<https://www.phoenixcontact.com/us/products/1156003>

Please be informed that the data shown in this PDF document is generated from our online catalog. Please find the complete data in the user documentation. Our general terms of use for downloads are valid.



Distributor box, connection method: QUICKON, 0.14 mm<sup>2</sup> ... 0.5 mm<sup>2</sup>, number of slots: 4, number of positions: 5, slot assignment: Double, status display: no, Universal; master cable connection: Pluggable screw connection 180°, shielding: no, When connecting 5 conductors, max. 0.5 mm<sup>2</sup> can be connected

## Your advantages

- Safety in the field, thanks to molded housing and high degree of protection
- Convenient: increased machine availability thanks to quick and easy diagnostics
- Innovative and time-saving assembly with insulation displacement connection
- Flexible: distributor box with connector hood for on-site assembly

## Commercial data

Item number	1156003
Packing unit	1 pc
Minimum order quantity	1 pc
Sales key	BF41
Product key	AF3DBD
GTIN	4063151158521
Weight per piece (including packing)	267.8 g
Weight per piece (excluding packing)	267 g
Customs tariff number	85366990
Country of origin	DE

# SACB-4/ 8-C QO - Distributor box



1156003

<https://www.phoenixcontact.com/us/products/1156003>

## Technical data

### Notes

Assembly note	<b>NOTE:</b> Observe the permissible bending radii when routing cables, since the degree of protection may be at risk if the bending forces are too high. Reduce mechanical loads upstream of the connector, e.g., by using cable ties.
Note on application	Unused slots are to be sealed off prior to commissioning. Suitable sealing elements are to be found under "Accessories".
Note on application	Cables with 5 conductors may have a maximum connection cross-section of 0.5 mm <sup>2</sup> /20 AWG.

### Product properties

Product type	Distributor box
Number of positions	5
Number of slots	4
LED	no

### Electrical properties

Nominal voltage U <sub>N</sub>	48 V AC
	60 V DC
Rated current, total	10 A
Max. current carrying capacity per path	2 A
Current carrying capacity per slot	4 A

### Connection data

#### Conductor connection

Sensor/actuator connection system	QUICKON
Conductor cross-section Flexible signal line	0.14 mm <sup>2</sup> ... 0.5 mm <sup>2</sup>
Conductor cross-section Flexible power supply	0.14 mm <sup>2</sup> ... 0.5 mm <sup>2</sup>
Connection cross section AWG Flexible signal line	26 ... 20
Connection cross section AWG Flexible power supply	26 ... 20
Stripping length Signal line	7 mm
Stripping length of the sheath	50 mm (Master cable)
Tightening torque, cover screw	0.35 Nm
Tightening torque of mounting screw for fixing the housing	0.5 Nm
Tightening torque, union nut	4 Nm

#### Connection assignment

Slot/position = Wire color or connection	1 / 4 (A) = 1 / 4
	1 / 2 (B) = 1 / 2
	2 / 4 (A) = 2 / 4
	2 / 2 (B) = 2 / 2
	3 / 4 (A) = 3 / 4
	3 / 2 (B) = 3 / 2

# SACB-4/ 8-C QO - Distributor box



1156003

<https://www.phoenixcontact.com/us/products/1156003>

	4 / 4 (A) = 4 / 4
	4 / 2 (B) = 4 / 2
	1-4 / 1 (+ 48 V) = U <sub>N</sub>
	1-4 / 3 (0 V) = 0 V
	1-4 / 5 (PE) = PE

## Signaling

Status display present	no
------------------------	----

## Dimensions

Dimensional drawing	
Width	58 mm
Height	45 mm
Length	131 mm
Wrench size, union nut	16 mm

## Material specifications

Material Housing	PBT
Material Molding compound	PUR
Flammability rating according to UL 94	V0
Seal material O-ring	FKM
Seal material	FKM
Contact material	Steel/copper
Contact surface material	Sn
Contact carrier material	PA 6.6
Material of contact, master cable side	CU alloy
Material of the contact carrier on the master cable side	PA 6.6 V0
Material of contact surface, master cable side	Ni
Wire insulation material	PVC / PE / PP / rubber

## Cable/line

External cable diameter	7 mm ... 12 mm
Connection method	Pluggable screw connection

## Environmental and real-life conditions

### Ambient conditions

Degree of protection	IP65
----------------------	------

# SACB-4/ 8-C QO - Distributor box



1156003

<https://www.phoenixcontact.com/us/products/1156003>

Ambient temperature (operation)	-30 °C ... 80 °C
	-5 °C ... 50 °C (During assembly)

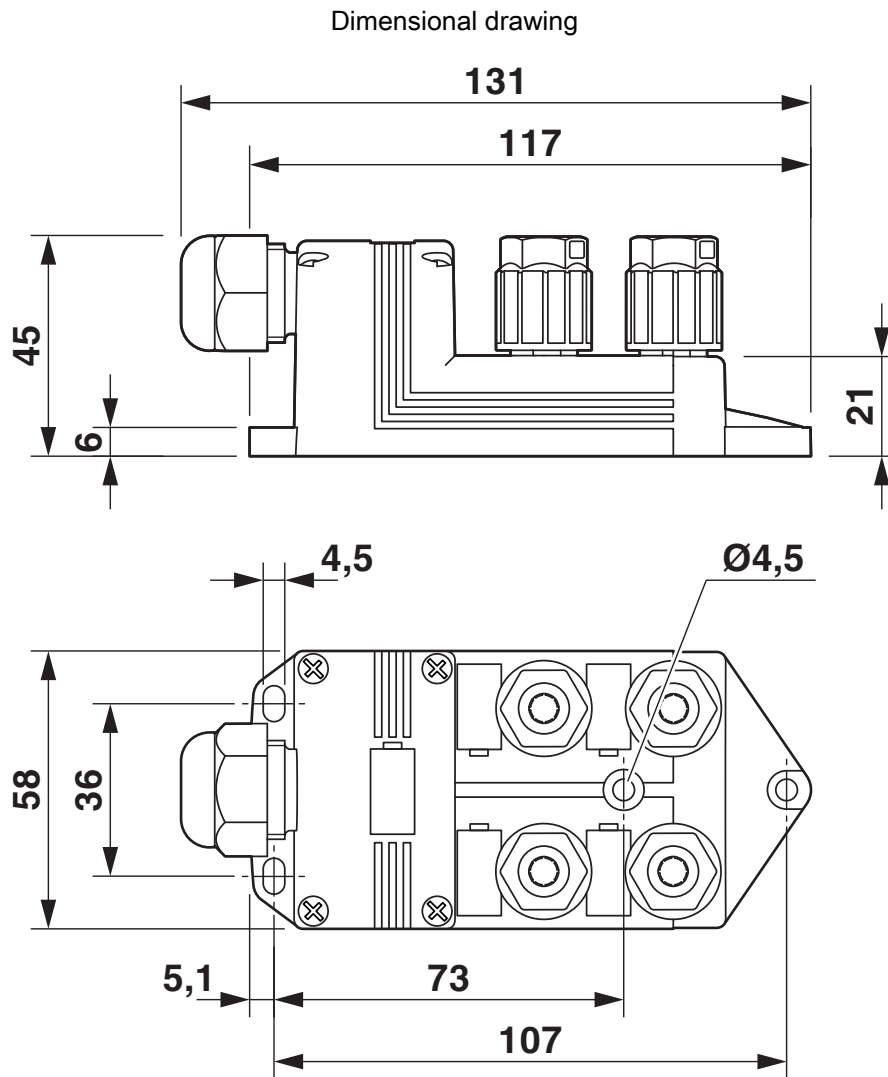
# SACB-4/ 8-C QO - Distributor box



1156003

<https://www.phoenixcontact.com/us/products/1156003>

## Drawings



# SACB-4/ 8-C QO - Distributor box

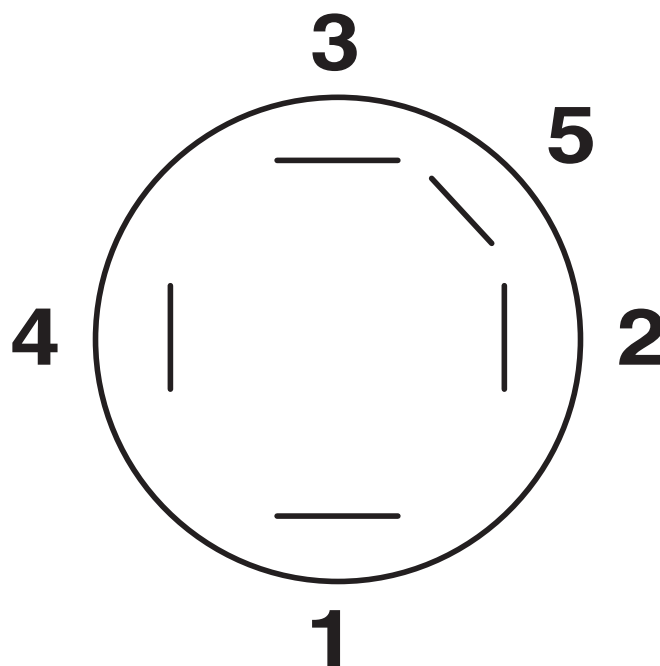
1156003

<https://www.phoenixcontact.com/us/products/1156003>

Functional drawing



Schematic diagram



QUICKON connection, 5-pos.

# SACB-4/ 8-C QO - Distributor box



1156003

<https://www.phoenixcontact.com/us/products/1156003>

Circuit diagram



# SACB-4/ 8-C QO - Distributor box



1156003

<https://www.phoenixcontact.com/us/products/1156003>

## Classifications

### ECLASS

ECLASS-13.0	27440111
ECLASS-15.0	27440111

### ETIM

ETIM 10.0	EC003558
-----------	----------

### UNSPSC

UNSPSC 21.0	31251500
-------------	----------

# SACB-4/ 8-C QO - Distributor box



1156003

<https://www.phoenixcontact.com/us/products/1156003>

## Environmental product compliance

### EU RoHS

Fulfills EU RoHS substance requirements	Yes
Exemption	6(c)

### China RoHS

Environment friendly use period (EFUP)	EFUP-50
	An article-related China RoHS declaration table can be found in the download area for the respective article under "Manufacturer declaration". For all articles with EFUP-E, no China RoHS declaration table issued and required.

### EU REACH SVHC

REACH candidate substance (CAS No.)	Lead(CAS: 7439-92-1)
SCIP	73d4874d-acf7-4f7a-b185-e404568e0e2c

Phoenix Contact 2026 © - all rights reserved

<https://www.phoenixcontact.com>

Phoenix Contact USA  
586 Fulling Mill Road  
Middletown, PA 17057, United States  
(+717) 944-1300  
[info@phoenixcon.com](mailto:info@phoenixcon.com)