

# SACB-8/16-M23 P12 SH - Distributor box



1155996

<https://www.phoenixcontact.com/us/products/1155996>

Please be informed that the data shown in this PDF document is generated from our online catalog. Please find the complete data in the user documentation. Our general terms of use for downloads are valid.



Distributor box, application: Standard, extended requirements, connection method: M12 PUSH-PULL female connector Metal / M12 socket, number of slots: 8, number of positions: 5, coding: A, slot assignment: Double, status display: no, Universal; master cable connection: M23 plug connection 180°, shielding: yes

## Your advantages

- Safety in the field, thanks to molded housing and high degree of protection
- Save space: distributor box with double occupancy for two sensors in one slot
- Reliable signal transmission – 360° shielding in environments with electromagnetic interference

## Commercial data

Item number	1155996
Packing unit	1 pc
Minimum order quantity	1 pc
Sales key	BF43
Product key	AF3CDB
GTIN	4063151158835
Weight per piece (including packing)	603.5 g
Weight per piece (excluding packing)	554 g
Customs tariff number	85366990
Country of origin	DE

# SACB-8/16-M23 P12 SH - Distributor box



1155996

<https://www.phoenixcontact.com/us/products/1155996>

## Technical data

### Notes

Assembly note	<b>NOTE:</b> Observe the permissible bending radii when routing cables, since the degree of protection may be at risk if the bending forces are too high. Reduce mechanical loads upstream of the connector, e.g., by using cable ties.
Note on application	Unused slots are to be sealed off prior to commissioning. Suitable sealing elements are to be found under "Accessories".

### Product properties

Product type	Distributor box
Application	Standard, extended requirements
Number of positions	5
Number of slots	8
Coding	A

### Electrical properties

Nominal voltage $U_N$	48 V AC
	60 V DC
Rated current, total	10 A (up to 40 °C)
Max. current carrying capacity per path	2 A
Current carrying capacity per slot	4 A

### Connection data

#### Conductor connection

Sensor/actuator connection system	M12 PUSH-PULL female connector
	M12 socket
Tightening torque slot sensor/actuator cable	0.4 Nm

#### Connection assignment

Slot/position = Wire color or connection	1 / 4 (A) = 15
	1 / 2 (B) = 7
	2 / 4 (A) = 5
	2 / 2 (B) = 4
	3 / 4 (A) = 16
	3 / 2 (B) = 8
	4 / 4 (A) = 3
	4 / 2 (B) = 14
	5 / 4 (A) = 17
	5 / 2 (B) = 9
	6 / 4 (A) = 2
	6 / 2 (B) = 13
	7 / 4 (A) = 11

# SACB-8/16-M23 P12 SH - Distributor box



1155996

<https://www.phoenixcontact.com/us/products/1155996>

	7 / 2 (B) = 10
	8 / 4 (A) = 1
	8 / 2 (B) = 18
	1-8 / 1 (+ 48 V) = 19
	1-8 / 3 (0 V) = 6
	1-8 / 5 (PE) = 12

## Signaling

Status display present	no
------------------------	----

## Dimensions

Dimensional drawing	
Width	58 mm
Height	36 mm
Length	160 mm

## Material specifications

Material Threaded sleeve	Die-cast zinc
Material Housing	Die-cast zinc
Material Molding compound	PUR
Flammability rating according to UL 94	V0
Seal material O-ring	FKM
Contact material	Cu alloy
Contact surface material	gold-plated
Contact carrier material	PA
Material of contact, master cable side	CU alloy
Material of the contact carrier on the master cable side	PBT
Material of contact surface, master cable side	gold-plated

## Cable/line

Connection method	M23 plug connection
-------------------	---------------------

## Environmental and real-life conditions

Ambient conditions	
Degree of protection	IP65
Ambient temperature (operation)	-25 °C ... 70 °C

## Standards and regulations

# SACB-8/16-M23 P12 SH - Distributor box



1155996

<https://www.phoenixcontact.com/us/products/1155996>

## M12

Standard designation	M12 connector
Standards/specifications	IEC 61076-2-101

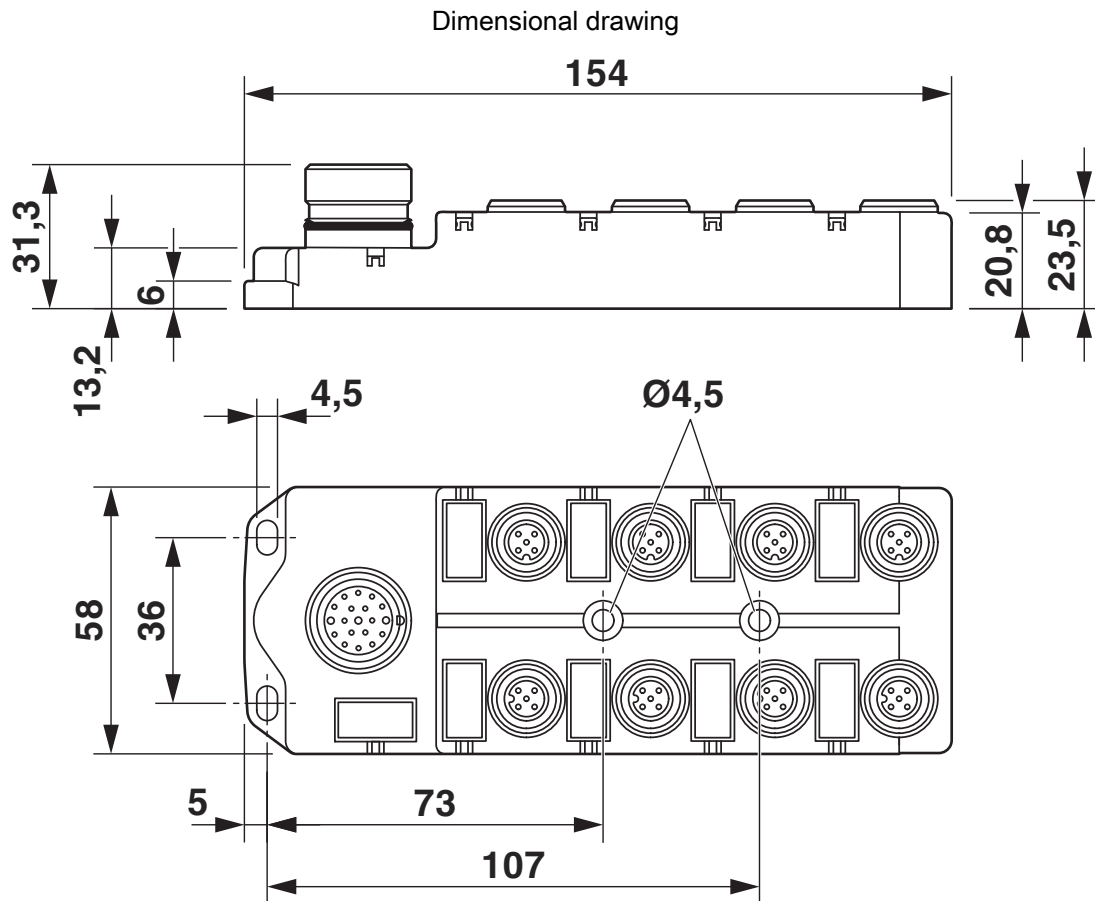
# SACB-8/16-M23 P12 SH - Distributor box



1155996

<https://www.phoenixcontact.com/us/products/1155996>

## Drawings



1155996

<https://www.phoenixcontact.com/us/products/1155996>

Schematic diagram



M12 slot, socket, 5-pos.

Schematic diagram



M23 plug connection pin, 19-pos.

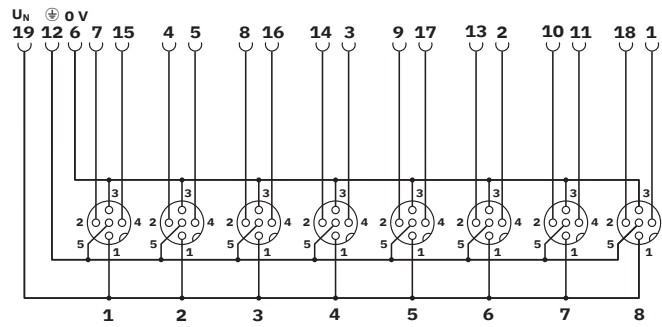
# SACB-8/16-M23 P12 SH - Distributor box



1155996

<https://www.phoenixcontact.com/us/products/1155996>

Circuit diagram



# SACB-8/16-M23 P12 SH - Distributor box



1155996

<https://www.phoenixcontact.com/us/products/1155996>

## Classifications

### ECLASS

ECLASS-13.0	27440111
ECLASS-15.0	27440111

### ETIM

ETIM 10.0	EC003558
-----------	----------

### UNSPSC

UNSPSC 21.0	31251500
-------------	----------

# SACB-8/16-M23 P12 SH - Distributor box



1155996

<https://www.phoenixcontact.com/us/products/1155996>

## Environmental product compliance

### EU RoHS

Fulfills EU RoHS substance requirements	Yes, No exemptions
---	--------------------

### China RoHS

Environment friendly use period (EFUP)	EFUP-50
	An article-related China RoHS declaration table can be found in the download area for the respective article under "Manufacturer declaration". For all articles with EFUP-E, no China RoHS declaration table issued and required.

### EU REACH SVHC

REACH candidate substance (CAS No.)	No substance above 0.1 wt%
-------------------------------------	----------------------------

Phoenix Contact 2026 © - all rights reserved

<https://www.phoenixcontact.com>

Phoenix Contact USA  
586 Fulling Mill Road  
Middletown, PA 17057, United States  
(+717) 944-1300  
[info@phoenixcon.com](mailto:info@phoenixcon.com)