

SACB-8/16- 5,0PUR P12 SH - Distributor box



1155993

<https://www.phoenixcontact.com/us/products/1155993>

Please be informed that the data shown in this PDF document is generated from our online catalog. Please find the complete data in the user documentation. Our general terms of use for downloads are valid.



Distributor box, application: Standard, extended requirements, connection method: M12 PUSH-PULL female connector Metal / M12 socket, number of slots: 8, number of positions: 5, coding: A, slot assignment: Double, status display: no, Universal; master cable connection: Fixed connection 180°, PUR/PVC, cable length: 5 m, shielding: yes

Your advantages

- Safety in the field, thanks to molded housing and high degree of protection
- Save space: distributor box with double occupancy for two sensors in one slot
- Reliable signal transmission – 360° shielding in environments with electromagnetic interference

Commercial data

Item number	1155993
Packing unit	1 pc
Minimum order quantity	1 pc
Sales key	BF43
Product key	AF3CDA
GTIN	4063151157975
Weight per piece (including packing)	1,798 g
Weight per piece (excluding packing)	1,798 g
Customs tariff number	85444290
Country of origin	DE

Technical data

Notes

Assembly note	NOTE: Observe the permissible bending radii when routing cables, since the degree of protection may be at risk if the bending forces are too high. Reduce mechanical loads upstream of the connector, e.g., by using cable ties.
Note on application	Unused slots are to be sealed off prior to commissioning. Suitable sealing elements are to be found under "Accessories".

Product properties

Product type	Distributor box
Application	Standard, extended requirements
Number of positions	5
Number of slots	8
Coding	A

Electrical properties

Nominal voltage U_N	48 V AC
	60 V DC
Rated current, total	12 A (up to 40 °C)
Max. current carrying capacity per path	2 A
Current carrying capacity per slot	4 A

Connection data

Conductor connection

Sensor/actuator connection system	M12 PUSH-PULL female connector
	M12 socket
Tightening torque slot sensor/actuator cable	0.4 Nm

Connection assignment

Slot/position = Wire color or connection	1 / 4 (A) = WH
	1 / 2 (B) = GYPK
	2 / 4 (A) = GN
	2 / 2 (B) = RDBU
	3 / 4 (A) = YE
	3 / 2 (B) = WHGN
	4 / 4 (A) = GY
	4 / 2 (B) = BNGN
	5 / 4 (A) = PK
	5 / 2 (B) = WHYE
	6 / 4 (A) = RD
	6 / 2 (B) = YEEN
	7 / 4 (A) = BK

SACB-8/16- 5,0PUR P12 SH - Distributor box



1155993

<https://www.phoenixcontact.com/us/products/1155993>

	7 / 2 (B) = WHGY
	8 / 4 (A) = VT
	8 / 2 (B) = GYBN
	1-8 / 1 (+ 48 V) = BN
	1-8 / 3 (0 V) = BU
	1-8 / 5 (PE) = GNYE

Signaling

Status display present	no
------------------------	----

Dimensions

Dimensional drawing	
Width	58 mm
Height	26 mm
Length	153 mm

Material specifications

Material Threaded sleeve	Die-cast zinc
Material Housing	Die-cast zinc
Material Molding compound	PUR
Flammability rating according to UL 94	V0
Seal material Molded seal	FKM
Contact material	Cu alloy
Contact surface material	gold-plated
Contact carrier material	PA

Cable/line

Cable length	5 m
--------------	-----

PUR/PVC shielded, black [PUR]

Dimensional drawing	
Number of positions	19

SACB-8/16- 5,0PUR P12 SH - Distributor box



1155993

<https://www.phoenixcontact.com/us/products/1155993>

Shielded	yes
Cable type	PUR/PVC shielded, black [PUR]
Conductor structure signal line	64x 0.10 mm
AWG signal line	20
Conductor structure, voltage supply	128x 0.10 mm
AWG power supply	17
Conductor cross-section	16x 0.5 mm ² (Signal line) 3x 1 mm ² (Power supply)
Wire diameter incl. insulation	1.6 mm (Signal line) 2 mm (power line)
External cable diameter	11.60 mm ±0.3 mm
Outer sheath, material	PUR
External sheath, color	deep black RAL 9005
Conductor material	Bare Cu litz wires
Material wire insulation	PVC
Single wire, color	brown, blue, green/yellow, white, green, yellow, gray, pink, red, black, violet, gray/pink, red/blue, white/green, brown/green, white/yellow, yellow/brown, white/gray, gray/brown
Overall twist	Wires twisted in layers
Nominal voltage, cable	300 V
Test voltage	2000 V
Dynamic load capacity (bending)	Max. bending cycles: 1500000, Bending radius: 10 x D, Traversing path: 2 m, Traversing rate: 2 m/s
Flame resistance	DIN EN 50265
Resistance to oil	according to VDE 0472 Part 803
Other resistance	Highly resistant to acids, alkaline solutions and solvents
Special properties	Silicone-free Free of substances which would hinder coating with paint or varnish
Ambient temperature (operation)	-40 °C ... 90 °C (cable, fixed installation) -5 °C ... 80 °C (Cable, flexible installation)

Environmental and real-life conditions

Ambient conditions

Degree of protection	IP65
Ambient temperature (operation)	-25 °C ... 70 °C

Standards and regulations

M12

Standard designation	M12 connector
Standards/specifications	IEC 61076-2-101

SACB-8/16- 5,0PUR P12 SH - Distributor box

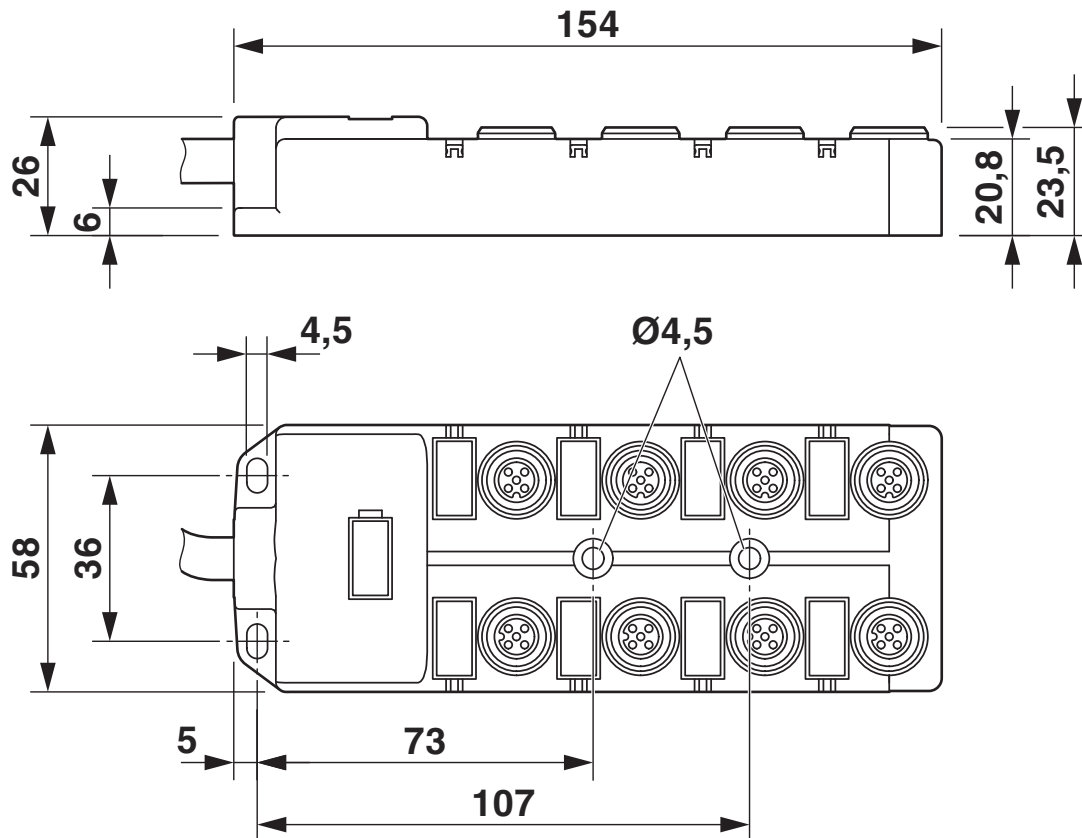


1155993

<https://www.phoenixcontact.com/us/products/1155993>

Drawings

Dimensional drawing



SACB-8/16- 5,0PUR P12 SH - Distributor box

1155993

<https://www.phoenixcontact.com/us/products/1155993>

Schematic diagram



M12 slot, socket, 5-pos.

Circuit diagram



SACB-8/16- 5,0PUR P12 SH - Distributor box



1155993

<https://www.phoenixcontact.com/us/products/1155993>

Classifications

ECLASS

ECLASS-13.0	27440108
ECLASS-15.0	27440108

ETIM

ETIM 10.0	EC002585
-----------	----------

UNSPSC

UNSPSC 21.0	31251500
-------------	----------

1155993

<https://www.phoenixcontact.com/us/products/1155993>

Environmental product compliance

EU RoHS

Fulfills EU RoHS substance requirements	Yes
Exemption	6(a)

China RoHS

Environment friendly use period (EFUP)	EFUP-50
	An article-related China RoHS declaration table can be found in the download area for the respective article under "Manufacturer declaration". For all articles with EFUP-E, no China RoHS declaration table issued and required.

EU REACH SVHC

REACH candidate substance (CAS No.)	Lead(CAS: 7439-92-1)
SCIP	5b5560f1-993a-4d13-b3f6-619e64ad9272

Phoenix Contact 2026 © - all rights reserved

<https://www.phoenixcontact.com>

Phoenix Contact USA
586 Fulling Mill Road
Middletown, PA 17057, United States
(+717) 944-1300
info@phoenixcon.com