

# DMCC 0,5/ 1-ST-SHL 7,0-2,54 - PCB connector



1150808

<https://www.phoenixcontact.com/us/products/1150808>

Please be informed that the data shown in this PDF document is generated from our online catalog. Please find the complete data in the user documentation. Our general terms of use for downloads are valid.



SIZE



0,34 mm<sup>2</sup>



CRIMP



BOX



PCB connector, nominal cross section: 0.34 mm<sup>2</sup>, color: black, nominal current: 5 A, rated voltage (III/2): 160 V, contact surface: Au, contact connection type: Socket, number of rows: 2, number of positions: 1, product range: DMCC 0,5/..-ST-SHL, pitch: 2.54 mm, connection method: Crimp connection, conductor/PCB connection direction: 0 °, plug-in system: COMBICON DFMC 0,5 lock & shielded, Electrical properties: shielded, locking: shielded connection, mounting method: Lock & Shield, type of packaging: packed in cardboard

## Your advantages

- Cost-effective connection of crimped conductors in large quantities
- Gold-plated contacts ensure transfer quality remains stable over the long term
- Contacts arranged in a double row enable high packing density in a compact area
- Tools for manual and automatic crimping available as an option

## Commercial data

Item number	1150808
Packing unit	100 pc
Minimum order quantity	100 pc
Note	Made to order (non-returnable)
Sales key	NULL
Product key	AAAILA
GTIN	4063151147099
Weight per piece (including packing)	1.609 g
Weight per piece (excluding packing)	2.22 g
Customs tariff number	85366990
Country of origin	CN

# DMCC 0,5/ 1-ST-SHL 7,0-2,54 - PCB connector



1150808

<https://www.phoenixcontact.com/us/products/1150808>

## Technical data

### Product properties

Product type	PCB connector
Product family	DMCC 0,5/...-ST-SHL
Product line	COMBICON Connectors XS
Number of positions	1
Pitch	2.54 mm
Number of rows	2
Electrical characteristic	shielded

### Electrical properties

#### Properties

Nominal current $I_N$	5 A
Nominal voltage $U_N$	160 V
Contact resistance	5.3 m $\Omega$
Rated voltage (III/3)	160 V
Rated surge voltage (III/3)	2.5 kV
Rated voltage (III/2)	160 V
Rated surge voltage (III/2)	2.5 kV
Rated voltage (II/2)	320 V
Rated surge voltage (II/2)	2.5 kV
Electrical characteristic	shielded

#### Data transmission

Signal type	Single Pair Ethernet
Frequency range	to 20 MHz
Transmission medium	Copper
Transmission characteristics (category)	CAT A
Data transmission rate	10 Mbps

### Connection data

#### Interlock

Locking type	shielded connection
Mounting type	Lock & Shield

#### Conductor connection

Connection method	Crimp connection
Conductor/PCB connection direction	0 °
Conductor cross-section AWG	26 ... 22
Stripping length	4.1 mm ... 4.5 mm

### Material specifications

# DMCC 0,5/ 1-ST-SHL 7,0-2,54 - PCB connector



1150808

<https://www.phoenixcontact.com/us/products/1150808>

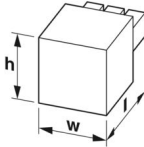
## Material data - contact

Contact material	Cu alloy
Metal surface contact area (top layer)	Gold (Au)

## Material data - housing

Color (Housing)	black (9005)
Insulating material	PA
Insulating material group	I
CTI according to IEC 60112	600
Flammability rating according to UL 94	V0
Glow wire flammability index GWFI according to EN 60695-2-12	850
Glow wire ignition temperature GWIT according to EN 60695-2-13	775
Temperature for the ball pressure test according to EN 60695-10-2	125 °C

## Dimensions

Dimensional drawing	
Pitch	2.54 mm
Width [w]	4.6 mm
Height [h]	7.75 mm
Length [l]	27 mm

## Notes

Note on the contact	The information on the basic material and the finish properties of the crimp contacts is to be found in the E-Shop in the technical data for the respective crimp contact.
Note on application	All laboratory tests are performed in combination with the crimp contacts specified as accessories.
Note on application	The current depends on the crimp contact and conductor cross-section used.
Note on application	The corresponding crimp contacts are to be found in the "Accessories" tab.
Note on application	The crimp contacts may only be processed with approved crimping tools.
Note on the contact	These connectors conform to DIN EN 61984, connectors without switching power (COC). When used for their intended purpose, they must not be plugged in or disconnected live or under load.

## Mechanical tests

### Tensile strength of crimp connections

Result	Test passed
--------	-------------

# DMCC 0,5/ 1-ST-SHL 7,0-2,54 - PCB connector



1150808

<https://www.phoenixcontact.com/us/products/1150808>

Conductor cross-section/conductor type/tractive force setpoint/actual value	AWG 22 / flexible / > 40 N
---	----------------------------

## Insertion and withdrawal forces

Specification	IEC 60512-13-2:2006-02
Result	Test passed
No. of cycles	100
Insertion strength per pos. approx.	4 N
Withdraw strength per pos. approx.	3 N

## Resistance of inscriptions

Specification	IEC 60068-2-70:1995-12
Result	Test passed

## Polarization and coding

Specification	IEC 60512-13-5:2006-02
Result	Test passed

## Visual inspection

Specification	IEC 60512-1-1:2002-02
Result	Test passed

## Dimension check

Specification	IEC 60512-1-2:2002-02
Result	Test passed

## Environmental and real-life conditions

### Durability test

Specification	IEC 60512-9-1:2010-03
Impulse withstand voltage at sea level	2.95 kV
Contact resistance $R_1$	5.3 m $\Omega$
Contact resistance $R_2$	4.7 m $\Omega$
Insertion/withdrawal cycles	100
Insulation resistance, neighboring positions	> 5 M $\Omega$

### Climatic test

Specification	ISO 6988:1985-02
Corrosive stress	0.2 dm <sup>3</sup> SO <sub>2</sub> on 300 dm <sup>3</sup> /40 °C/1 cycle
Thermal stress	80 °C/168 h
Power-frequency withstand voltage	1.39 kV

### Vibration test

Specification	IEC 60068-2-6:2007-12
Frequency	10 - 150 - 10 Hz
Sweep speed	1 octave/min
Amplitude	0.35 mm (10 Hz ... 60.1 Hz)
Acceleration	50 m/s <sup>2</sup> (60.1 Hz ... 150 Hz)

# DMCC 0,5/ 1-ST-SHL 7,0-2,54 - PCB connector



1150808

<https://www.phoenixcontact.com/us/products/1150808>

Test duration per axis	2.5 h
Test directions	X-, Y- and Z-axis

## Shocks

Specification	IEC 60068-2-27:2008-02
Pulse shape	Semi-sinusoidal
Acceleration	300 m/s <sup>2</sup>
Shock duration	18 ms
Test directions	X-, Y- and Z-axis (pos. and neg.)

## Railway application: Shocks

Acceleration	300 m/s <sup>2</sup>
Shock duration	18 ms
Test directions	X-, Y- and Z-axis (pos. and neg.)

## Ambient conditions

Ambient temperature (storage/transport)	-40 °C ... 70 °C
Relative humidity (storage/transport)	30 % ... 70 %
Ambient temperature (assembly)	-5 °C ... 100 °C
Ambient temperature (operation)	-55 °C ... 100 °C (dependent on the derating curve)

## Electrical tests

### Thermal test | Test group C

Specification	IEC 60512-5-1:2002-02
Tested number of positions	1

### Insulation resistance

Specification	IEC 60512-3-1:2002-02
Insulation resistance, neighboring positions	> 5 MΩ

### Air clearances and creepage distances |

Specification	IEC 60664-1:2007-04
Insulating material group	I
Comparative tracking index (IEC 60112)	CTI 600
Rated insulation voltage (III/3)	160 V
Rated surge voltage (III/3)	2.5 kV
minimum clearance value - non-homogenous field (III/3)	1.5 mm
minimum creepage distance (III/3)	2 mm
Rated insulation voltage (III/2)	160 V
Rated surge voltage (III/2)	2.5 kV
minimum clearance value - non-homogenous field (III/2)	1.5 mm
minimum creepage distance (III/2)	1.5 mm
Rated insulation voltage (II/2)	320 V
Rated surge voltage (II/2)	2.5 kV
minimum clearance value - non-homogenous field (II/2)	1.5 mm
minimum creepage distance (II/2)	1.6 mm

# DMCC 0,5/ 1-ST-SHL 7,0-2,54 - PCB connector



1150808

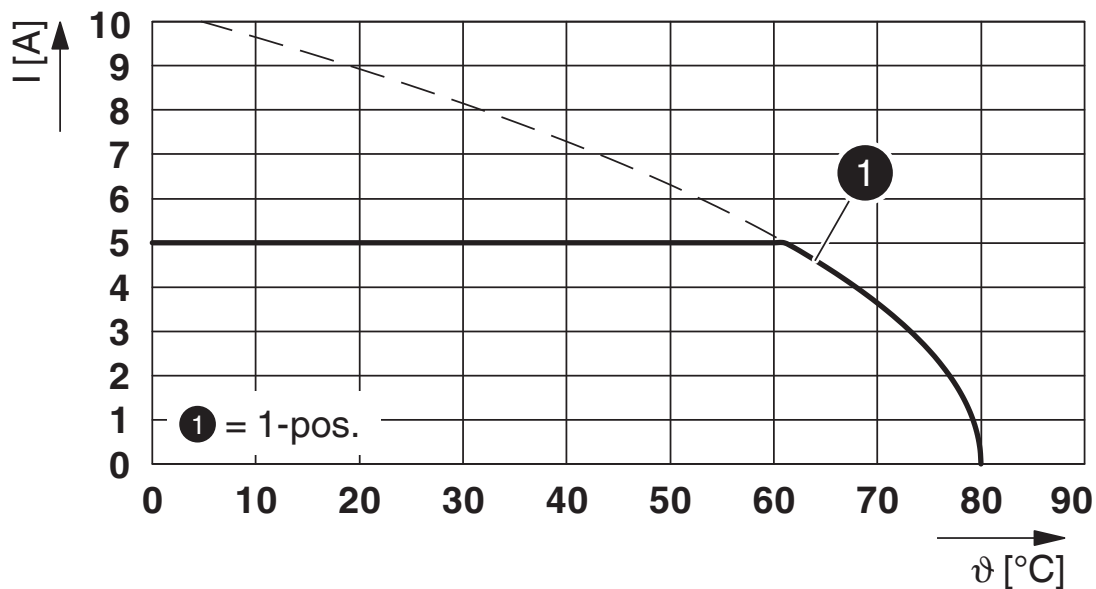
<https://www.phoenixcontact.com/us/products/1150808>

## Packaging specifications

Type of packaging
packed in cardboard

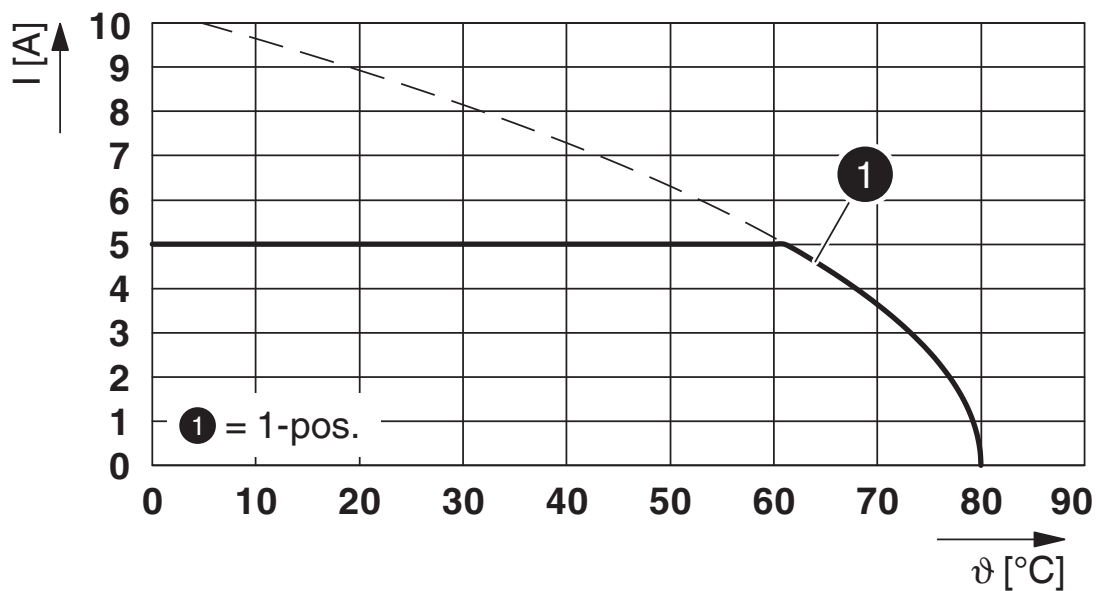
## Drawings

Diagram



Type: DMCC 0,5/ 1-ST-SHL 7,0-2,54 with DMC 0,5 1-G1SHL-2,54P20THRR24

Diagram



Type: DMCC 0,5/ 1-ST-SHL 7,0-2,54 with DMCV 0,5/ 1-G1SHL-2,54P20THR24

# DMCC 0,5/ 1-ST-SHL 7,0-2,54 - PCB connector





1150808

<https://www.phoenixcontact.com/us/products/1150808>

## Approvals

To download certificates, visit the product detail page: <https://www.phoenixcontact.com/us/products/1150808>

 <b>cULus Recognized</b> Approval ID: E60425-19920306				
	Nominal voltage $U_N$	Nominal current $I_N$	Cross section AWG	Cross section $\text{mm}^2$
B				
Factory wiring	150 V	6 A	26 - 18	-
D				
Factory wiring	150 V	6 A	26 - 18	-

 <b>VDE report with production monitoring</b> Approval ID: 40042389				
	Nominal voltage $U_N$	Nominal current $I_N$	Cross section AWG	Cross section $\text{mm}^2$
keine				
	160 V	6 A	-	0.14 - 0.75

# DMCC 0,5/ 1-ST-SHL 7,0-2,54 - PCB connector



1150808

<https://www.phoenixcontact.com/us/products/1150808>

## Classifications

### ECLASS

ECLASS-13.0	27460202
ECLASS-15.0	27460202

### ETIM

ETIM 10.0	EC002638
-----------	----------

### UNSPSC

UNSPSC 21.0	39121400
-------------	----------

# DMCC 0,5/ 1-ST-SHL 7,0-2,54 - PCB connector



1150808

<https://www.phoenixcontact.com/us/products/1150808>

## Environmental product compliance

### EU RoHS

Fulfills EU RoHS substance requirements	Yes, No exemptions
---	--------------------

### China RoHS

Environment friendly use period (EFUP)	EFUP-E
	No hazardous substances above the limits

### EU REACH SVHC

REACH candidate substance (CAS No.)	No substance above 0.1 wt%
-------------------------------------	----------------------------

### EF3.1 Climate Change

CO2e kg	0.074 kg CO2e
---------	---------------

Phoenix Contact 2026 © - all rights reserved  
<https://www.phoenixcontact.com>

Phoenix Contact USA  
586 Fulling Mill Road  
Middletown, PA 17057, United States  
(+717) 944-1300  
[info@phoenixcon.com](mailto:info@phoenixcon.com)