

# NBC-M12MRY/3,0-94H - Hybrid cable



1146466

<https://www.phoenixcontact.com/us/products/1146466>

Please be informed that the data shown in this PDF document is generated from our online catalog. Please find the complete data in the user documentation. Our general terms of use for downloads are valid.



Hybrid cable, Ethernet hybrid CAT5 (100 Mbps), 8-position, PUR halogen-free, black RAL 9005, shielded (Advanced Shielding Technology), Plug angled M12, coding: Y / IP65/IP67, on free cable end, cable length: 3 m, Power with Ethernet (PWE)

## Commercial data

Item number	1146466
Packing unit	1 pc
Minimum order quantity	1 pc
Sales key	BF04
Product key	AF1CML
GTIN	4063151138202
Weight per piece (including packing)	366 g
Weight per piece (excluding packing)	366 g
Customs tariff number	85444290
Country of origin	PL

# NBC-M12MRY/3,0-94H - Hybrid cable



1146466

<https://www.phoenixcontact.com/us/products/1146466>

## Technical data

### Product properties

Product type	Data cable preassembled
Application	Standard
Sensor type	Ethernet hybrid
Number of positions	8
No. of cable outlets	1
Shielded	yes
Coding	Y

### Interfaces

Bus system	Ethernet
Signal type/category	Ethernet hybrid CAT5 (IEC 11801), 100 Mbps

### Signaling

Status display	no
Status display present	no

### Electrical properties

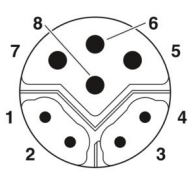
Nominal voltage $U_N$	48 V AC (Power and data)
	50 V DC (Power and data)
Nominal current $I_N$	6 A (Power)
	0.5 A (Data)
Transmission medium	Copper
Transmission speed	100 Mbps

### Material specifications

Flammability rating according to UL 94	V0
--	----

### Connector

#### Connection 1

Dimensional drawing	 <p>M12 hybrid plug pin assignment, 8-pos., Y-coded, pin side view</p>
Type	M12 Plug, angled, 8-position, shielded (Advanced Shielding Technology), Keying: Y
Number of positions	8
Shielded	yes
Shielding	Advanced Shielding Technology

# NBC-M12MRY/3,0-94H - Hybrid cable



1146466

<https://www.phoenixcontact.com/us/products/1146466>

Signal type/category	EtherCAT® CAT5 (IEC 11801), 100 Mbps PROFINET CAT5 (IEC 11801)
Insertion/withdrawal cycles	≥ 100
Insulation resistance	≥ 100 MΩ
Overvoltage category	II
Degree of pollution	3
Tightening torque	0.4 Nm
Material Contact	CuZn
Material Contact surface	Ni/Au
Material Contact carrier	PA 6.6
Material Screw connection	Die-cast zinc, nickel-plated
Material Grip body	TPU, hardly inflammable, self-extinguishing
Material Seal	FKM
Flammability rating according to UL 94	V0
Degree of protection	IP65 IP67
Ambient temperature (operation)	-25 °C ... 85 °C
Standard designation	M12 connector
Standards/regulations	IEC 61076-2-113

## Connection 2

Type	free cable end
------	----------------

## Cable/line

Cable length	3 m
--------------	-----

## Ethernet hybrid [94H]

Dimensional drawing	
UL AWM Style	20233 (80°C/300 V)
Number of positions	8
Shielded	yes
Cable type	Ethernet hybrid [94H]
Conductor structure	1x4x AWG 26+1x4x AWG 18
AWG signal line	26
AWG power supply	18
Conductor cross-section	4x 0.15 mm <sup>2</sup> (Data) 4x 0.85 mm <sup>2</sup> (Power)
Wire diameter incl. insulation	1.03 mm ±0.02 mm (Data)

# NBC-M12MRY/3,0-94H - Hybrid cable



1146466

<https://www.phoenixcontact.com/us/products/1146466>

	1.6 mm ±0.1 mm (Power)
External cable diameter	8.80 mm ±0.2 mm
Outer sheath, material	PUR
External sheath, color	black RAL 9005
Conductor material	Bare Cu litz wires
Material wire insulation	PP (Data)
	PP (Power)
Single wire, color	white/orange, orange, white/green, green, white, blue, brown, black
Overall twist	1 star quad and 4 wires with 2 fillers
Optical shield covering	85 %
Insulation resistance	≥ 5 GΩ*km
Loop resistance	≤ 280.00 Ω/km (Data)
	≤ 45.00 Ω/km (Power)
Wave impedance	100 Ω ±5 Ω (at 100 MHz)
Differential impedance	100 Ω ±5 % (at 100 MHz)
Nominal voltage, cable	≤ 125 V (Peak value, not for high-power applications)
Test voltage Core/Core	2000 V (50 Hz, 1 min.)
Test voltage Core/Shield	2000.00 V (50 Hz, 1 min.)
Minimum bending radius, fixed installation	4 x D
Minimum bending radius, flexible installation	8 x D
Dynamic load capacity (bending)	Max. bending cycles: 2000000, Bending radius: 15 x D, Traversing path: 4.5 m, Traversing rate: 3 m/s, Acceleration: 3 m/s <sup>2</sup> , Ambient temperature: -20 °C ... 60 °C
Shield attenuation	≥ 80.00 dB (30 MHz ... 100 MHz)
Halogen-free	according to IEC 60754-1
Flame resistance	UL 1581, Section 1060 and UL 2556, Section 9.3 (FT1)
	IEC 60332-1-2
Resistance to oil	in accordance with IEC 60811-404
	According to DIN EN 50363-10-2
Ambient temperature (operation)	-40 °C ... 80 °C (cable, fixed installation)
	-30 °C ... 70 °C (Cable, flexible installation)
	-20 °C ... 60 °C (for installation)
	-20 °C ... 60 °C (cable, drag chain applications)

## Standards and regulations

Standard designation	M12 connector
Standards/specifications	IEC 61076-2-113

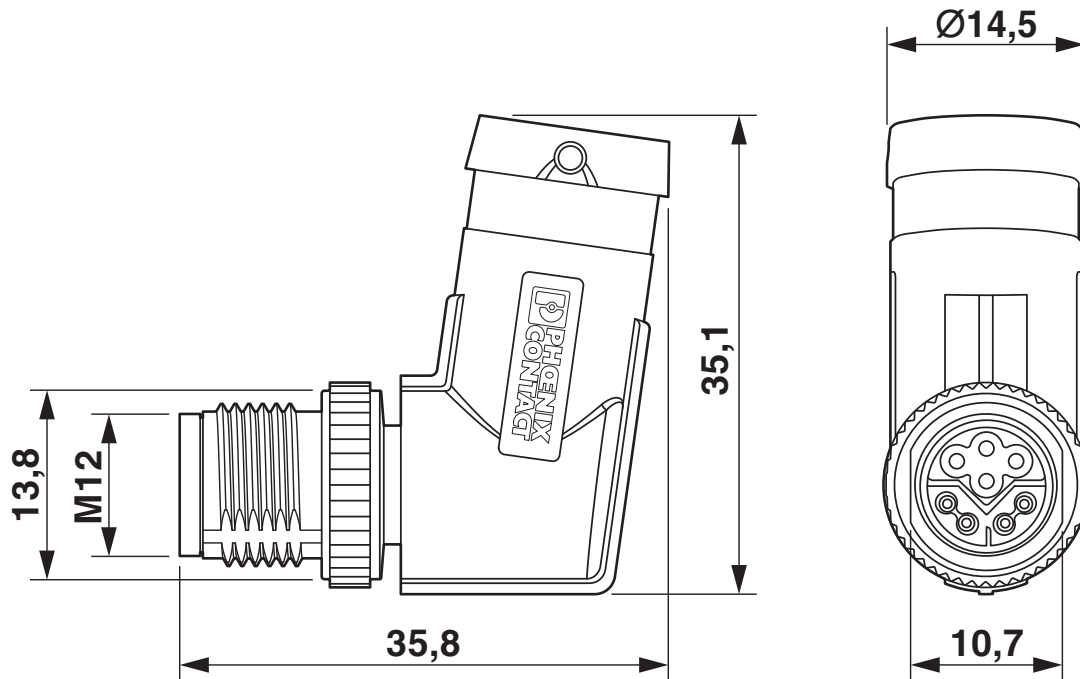
# NBC-M12MRY/3,0-94H - Hybrid cable

1146466

<https://www.phoenixcontact.com/us/products/1146466>

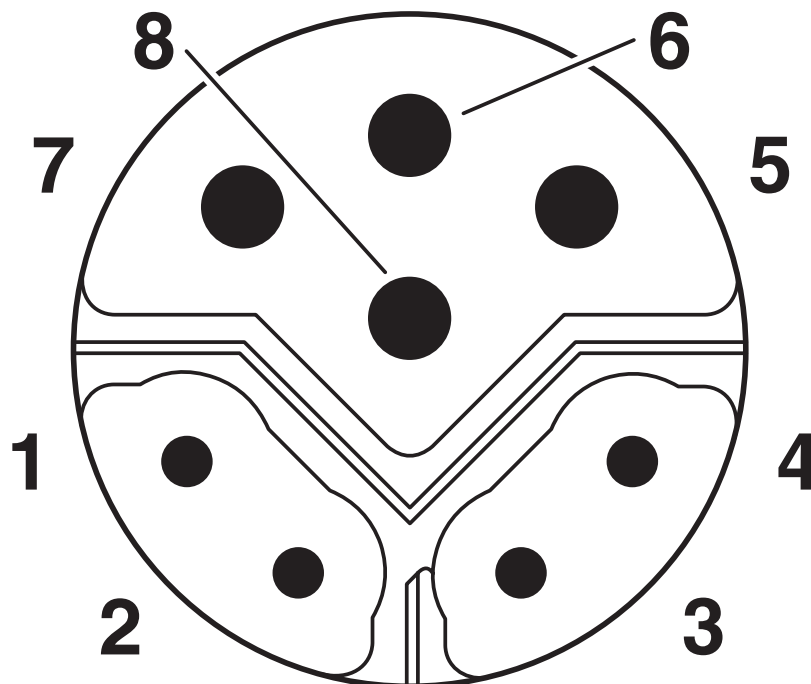
## Drawings

Dimensional drawing



M12 x 1 male plug, angled, shielded

Schematic diagram



M12 hybrid plug pin assignment, 8-pos., Y-coded, pin side view

# NBC-M12MRY/3,0-94H - Hybrid cable



1146466

<https://www.phoenixcontact.com/us/products/1146466>

Circuit diagram



Contact assignment of the M12 plug

# NBC-M12MRY/3,0-94H - Hybrid cable




1146466


<https://www.phoenixcontact.com/us/products/1146466>


## Approvals

To download certificates, visit the product detail page: <https://www.phoenixcontact.com/us/products/1146466>

 <b>UL Listed</b> Approval ID: FILE E 335024				
	Nominal voltage $U_N$	Nominal current $I_N$	Cross section AWG	Cross section $mm^2$
keine				
	56.5 V	0.175 A	-	-

 <b>cUL Listed</b> Approval ID: FILE E 335024				
	Nominal voltage $U_N$	Nominal current $I_N$	Cross section AWG	Cross section $mm^2$
keine				
	56.5 V	0.175 A	-	-

 <b>cUL Listed</b> Approval ID: E221474				
	Nominal voltage $U_N$	Nominal current $I_N$	Cross section AWG	Cross section $mm^2$
keine				
Power	48 V	6 A	-	-
Data	50 V	0.5 A	-	-

 <b>UL Listed</b> Approval ID: E221474				
	Nominal voltage $U_N$	Nominal current $I_N$	Cross section AWG	Cross section $mm^2$
keine				
Power	48 V	6 A	-	-
Data	50 V	0.5 A	-	-

# NBC-M12MRY/3,0-94H - Hybrid cable



1146466

<https://www.phoenixcontact.com/us/products/1146466>

## Classifications

### ECLASS

ECLASS-13.0	27060307
ECLASS-15.0	27060307

### ETIM

ETIM 10.0	EC001855
-----------	----------

### UNSPSC

UNSPSC 21.0	26121600
-------------	----------

# NBC-M12MRY/3,0-94H - Hybrid cable



1146466

<https://www.phoenixcontact.com/us/products/1146466>

## Environmental product compliance

### EU RoHS

Fulfills EU RoHS substance requirements	Yes, No exemptions
---	--------------------

### China RoHS

Environment friendly use period (EFUP)	EFUP-E
	No hazardous substances above the limits

### EU REACH SVHC

REACH candidate substance (CAS No.)	No substance above 0.1 wt%
-------------------------------------	----------------------------

### EF3.1 Climate Change

CO2e kg	6.723 kg CO2e
---------	---------------

Phoenix Contact 2026 © - all rights reserved  
<https://www.phoenixcontact.com>

Phoenix Contact USA  
586 Fulling Mill Road  
Middletown, PA 17057, United States  
(+717) 944-1300  
[info@phoenixcon.com](mailto:info@phoenixcon.com)