

MACX MCR-1TS-I-OLP - Temperature measuring transducer



1145192

<https://www.phoenixcontact.com/us/products/1145192>

Please be informed that the data shown in this PDF document is generated from our online catalog. Please find the complete data in the user documentation. Our general terms of use for downloads are valid.



Output loop-powered temperature transducer for transmitting RTD and TC sensor signals as well as from resistance and voltage sensors via 4 mA ... 20 mA. HART, Signal conditioner, Standard configuration, Screw connection

Commercial data

Item number	1145192
Packing unit	1 pc
Minimum order quantity	1 pc
Sales key	C430
Product key	DK1143
GTIN	4063151135607
Weight per piece (including packing)	159.4 g
Weight per piece (excluding packing)	150 g
Customs tariff number	85437090
Country of origin	DE

MACX MCR-1TS-I-OLP - Temperature measuring transducer



1145192

<https://www.phoenixcontact.com/us/products/1145192>

Technical data

Product properties

Product type	Temperature transmitter
Product family	Field Analog
No. of channels	1
Configuration	Software
	HART

Insulation characteristics

Overvoltage category	II
Pollution degree	2

System properties

Functionality

Configuration	Software
	HART

Electrical properties

Electrical isolation between input and output	yes
Step response (0–99%)	1 s (TC)
	1 s (RTD)

Electrical isolation Input/output

Test voltage	2 kV AC (50 Hz, 60 s)
--------------	-----------------------

Supply

Supply voltage range	loop-powered, no external supply necessary
	11 V DC ... 36 V DC (Standard)

Input data

Signal

Input signal	Temperature
--------------	-------------

Measurement

Number of inputs	1
Input voltage range	-20 mV ... 100 mV (Minimum measuring span: 5 mV)
Sensor types (RTD) that can be used	Pt, Ni, Cu sensors: 2, 3, 4-wire
Sensor types that can be used (TC)	A, B, C, D, E, J, K, L, N, R, S, T, U
Temperature measuring range	-250 °C ... 2500 °C (Range depending on the sensor type)
Temperature measuring range	≥ 10 K (RTD)
	≥ 50 K (TC)
Linear resistance measuring range	10 Ω ... 2000 Ω (Minimum measuring span: 10 Ω)

Output data

MACX MCR-1TS-I-OLP - Temperature measuring transducer

1145192

<https://www.phoenixcontact.com/us/products/1145192>

Signal: Current

Current output signal	4 mA ... 20 mA
	20 mA ... 4 mA
Max. current output signal	23 mA
Load	$(U_L - 11 \text{ V}) / 0,023 \text{ A}$
HART coding	FSK $\pm 0.5 \text{ mA}$
HART version	7
Transmission speed	1200 Baud
Mains frequency filter	50/60 Hz
Communication resistance	$\geq 250 \Omega$
Switch-on delay	$\approx \phi \text{ s (HART)}$
	$\approx \phi \text{ s (Measured value)}$

Connection data

Connection method	Screw connection
Stripping length	7 mm
Screw thread	M3
Conductor cross-section rigid	0.2 mm ² ... 2.5 mm ²
Conductor cross-section flexible	0.2 mm ² ... 2.5 mm ²
Conductor cross-section AWG	24 ... 14
Tightening torque	0.5 Nm ... 0.6 Nm

Test socket

Max. diameter	2 mm
---------------	------

Ex data

Ex installation (EPL)	Gc
	Div. 2

Interfaces

Data communication (bypass)

Protocols supported	HART
---------------------	------

Signaling

Status display	LED (red)
----------------	-----------

Dimensions

Dimensional drawing	
---------------------	--

MACX MCR-1TS-I-OLP - Temperature measuring transducer



1145192

<https://www.phoenixcontact.com/us/products/1145192>

Width	12.5 mm
Height	112.5 mm
Depth	113.7 mm
Depth NS 35/7,5	114.5 mm (Snapped onto DIN rail NS 35/7,5 in accordance with EN 60715)

Material specifications

Color	gray (RAL 7042)
-------	-----------------

Environmental and real-life conditions

Ambient conditions

Degree of protection	IP20
Ambient temperature (operation)	-40 °C ... 85 °C
Ambient temperature (storage/transport)	-50 °C ... 100 °C
Altitude	≤ 4000 m (Above sea level)
Climatic class	B2
Permissible humidity (operation)	5 % ... 95 % (non-condensing)

Approvals

CE

Certificate	CE-compliant
-------------	--------------

ATEX

Identification	⊕ II 3 G Ex ec IIC T6
Certificate	PxCIF20ATEX1145192U

CSA

Identification	Ex ec IIC T6...T4
----------------	-------------------

Mounting

Mounting type	DIN rail mounting
---------------	-------------------

MACX MCR-1TS-I-OLP - Temperature measuring transducer

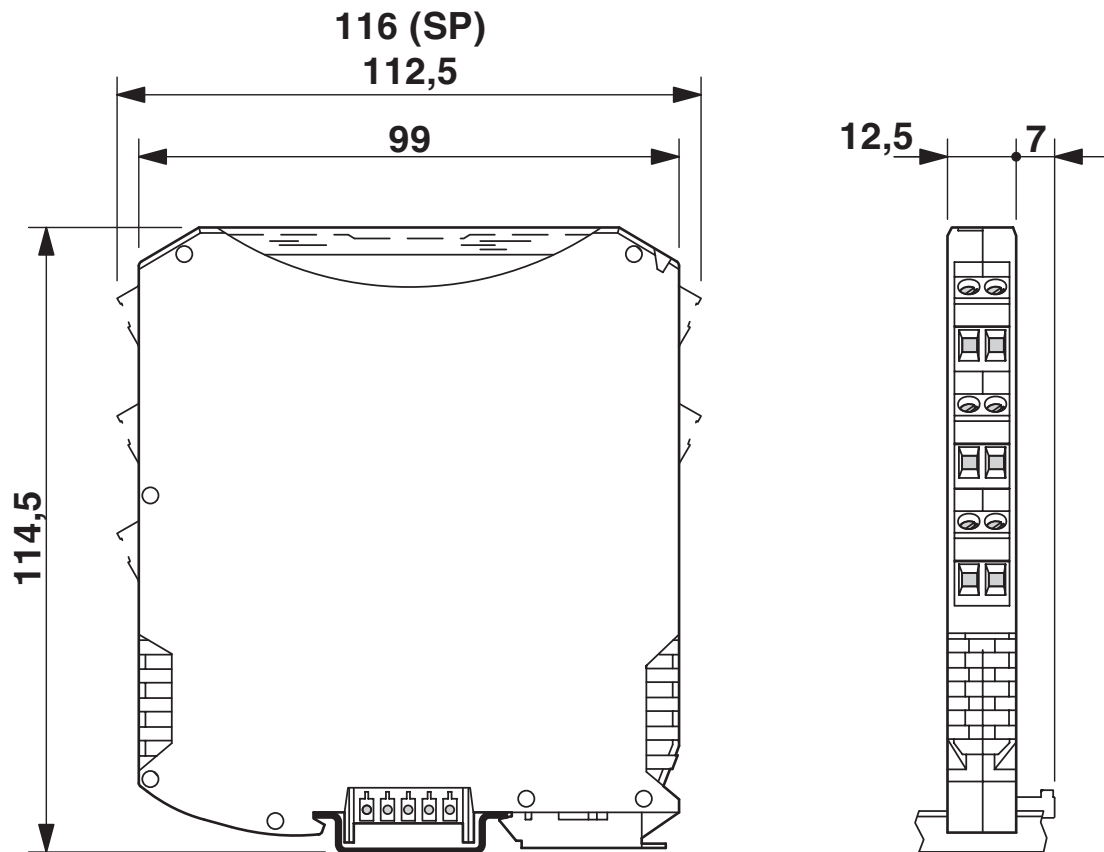


1145192

<https://www.phoenixcontact.com/us/products/1145192>

Drawings

Dimensional drawing



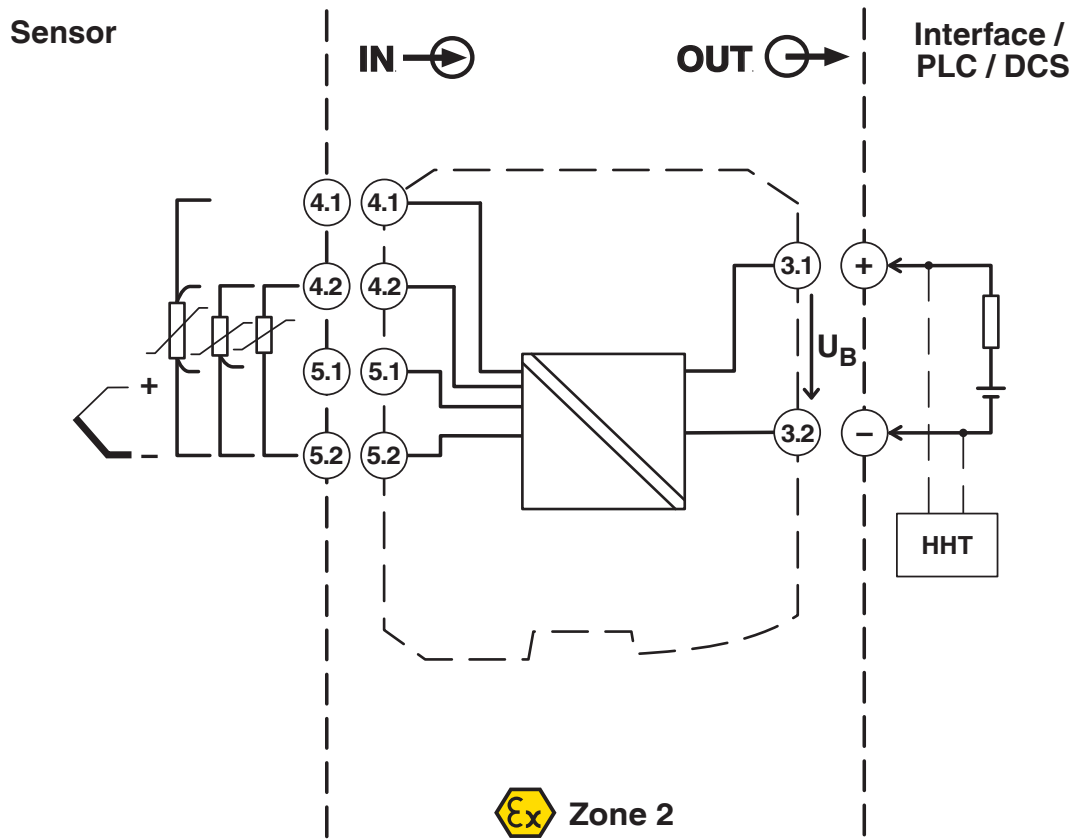
MACX MCR-1TS-I-OLP - Temperature measuring transducer



1145192

<https://www.phoenixcontact.com/us/products/1145192>

Block diagram




MACX MCR-1TS-I-OLP - Temperature measuring transducer



1145192

<https://www.phoenixcontact.com/us/products/1145192>

Approvals

 To download certificates, visit the product detail page: <https://www.phoenixcontact.com/us/products/1145192>



CSA

Approval ID: 80070110



CSAus

Approval ID: 80070110

MACX MCR-1TS-I-OLP - Temperature measuring transducer



1145192

<https://www.phoenixcontact.com/us/products/1145192>

Classifications

ECLASS

ECLASS-13.0	27210129
ECLASS-15.0	27210129

ETIM

ETIM 10.0	EC002919
-----------	----------

UNSPSC

UNSPSC 21.0	41112100
-------------	----------

MACX MCR-1TS-I-OLP - Temperature measuring transducer



1145192

<https://www.phoenixcontact.com/us/products/1145192>

Environmental product compliance

EU RoHS

Fulfills EU RoHS substance requirements	Yes
Exemption	7(a), 7(c)-I

China RoHS

Environment friendly use period (EFUP)	EFUP-50
	An article-related China RoHS declaration table can be found in the download area for the respective article under "Manufacturer declaration". For all articles with EFUP-E, no China RoHS declaration table issued and required.

EU REACH SVHC

REACH candidate substance (CAS No.)	Lead(CAS: 7439-92-1)
-------------------------------------	----------------------

Phoenix Contact 2026 © - all rights reserved
<https://www.phoenixcontact.com>

Phoenix Contact USA
586 Fulling Mill Road
Middletown, PA 17057, United States
(+717) 944-1300
info@phoenixcon.com