

SACC-E-M12MS-4PL-M20 - Panel feed-through



1139802

<https://www.phoenixcontact.com/us/products/1139802>

Please be informed that the data shown in this PDF document is generated from our online catalog. Please find the complete data in the user documentation. Our general terms of use for downloads are valid.



Panel feed-through, Universal, 4-position, unshielded, Plug straight M12, coding: A, Front mounting, M20 x 1,5, Push-lock spring connection, knurl material: Brass, nickel-plated, Flat nut included

Your advantages

- Easy and tool-free connection with Push-Lock connection
- Easy assignment of individual conductors with color coding and numerical marking of contact holder levers
- Conveniently connect stranded conductors, thanks to lever
- Reliable and quick connection of electric cables

Commercial data

Item number	1139802
Packing unit	1 pc
Minimum order quantity	1 pc
Sales key	BF33
Product key	AF2CEA
GTIN	4063151223267
Weight per piece (including packing)	29.9 g
Weight per piece (excluding packing)	30.4 g
Customs tariff number	85366990
Country of origin	DE

SACC-E-M12MS-4PL-M20 - Panel feed-through



1139802

<https://www.phoenixcontact.com/us/products/1139802>

Technical data

Notes

Assembly note	NOTE: Observe the permissible bending radii when routing cables, since the degree of protection may be at risk if the bending forces are too high. Reduce mechanical loads upstream of the connector, e.g., by using cable ties.
Notes on operation	The electrical and mechanical data specified assume that the connector pair is correctly locked and mounted. If the connector is unlocked and if there is a danger of contamination, the connector must be sealed using a protective cap > IP54. Influences arising from litz wires, cables or PCB assembly must also be taken into consideration.

Mounting

Tightening torque	2 Nm (Installation-side)
-------------------	--------------------------

Product properties

Product type	Circular connectors (device side)
Application	Signal
Sensor type	Universal
Number of positions	4
No. of cable outlets	1
Shielded	no
Coding	A
Cable outlet	straight

Insulation characteristics

Overvoltage category	II
Degree of pollution	3

Dimensions

Dimensional drawing	
Length	21 mm
Hole diameter	20.4 mm +0.1 mm

Housing

Diameter housing	29 mm
------------------	-------

SACC-E-M12MS-4PL-M20 - Panel feed-through



1139802

<https://www.phoenixcontact.com/us/products/1139802>

Material specifications

Material	PA 6 (Actuation lever)
Flammability rating according to UL 94	V0
Contact material	CuSn
Contact surface material	Ni/Au
Contact carrier material	PA 6.6
Material for screw connection	Brass, nickel-plated

Electrical properties

Rated surge voltage	1.5 kV
Contact resistance	$\leq 5 \text{ m}\Omega$
Insulation resistance	$\geq 100 \text{ M}\Omega$
Nominal voltage U_N	48 V AC 60 V DC
Nominal current I_N	4 A (2 A when using 0.14 mm ² conductors)

Connection data

Conductor connection

Connection method	Push-lock spring connection
Contact connection type	Pin
Connection cross section	0.14 mm ² ... 0.75 mm ² (without ferrule) 0.14 mm ² ... 0.5 mm ² (with ferrule)
Connection cross section AWG	26 ... 18 (without ferrule) 26 ... 20 (with ferrule)
Stripping length of the individual wire	7 mm
Tightening torque	2 Nm (Installation-side)

Mechanical properties

Mechanical data

Insertion/withdrawal cycles	≥ 100
-----------------------------	------------

Connector

Connection 1

Head design	Plug
Head cable outlet	straight
Head thread type	M12
Coding	A

Cable/line

Signal type/category	Universal
Stripping length of the individual wire	7 mm

SACC-E-M12MS-4PL-M20 - Panel feed-through



1139802

<https://www.phoenixcontact.com/us/products/1139802>

Environmental and real-life conditions

Ambient conditions

Degree of protection	IP67
Ambient temperature (operation) (male connector/female connector)	-40 °C ... 85 °C (Plug / socket)

Standards and regulations

M12

Standard designation	M12 connector
Standards/specifications	IEC 61076-2-101

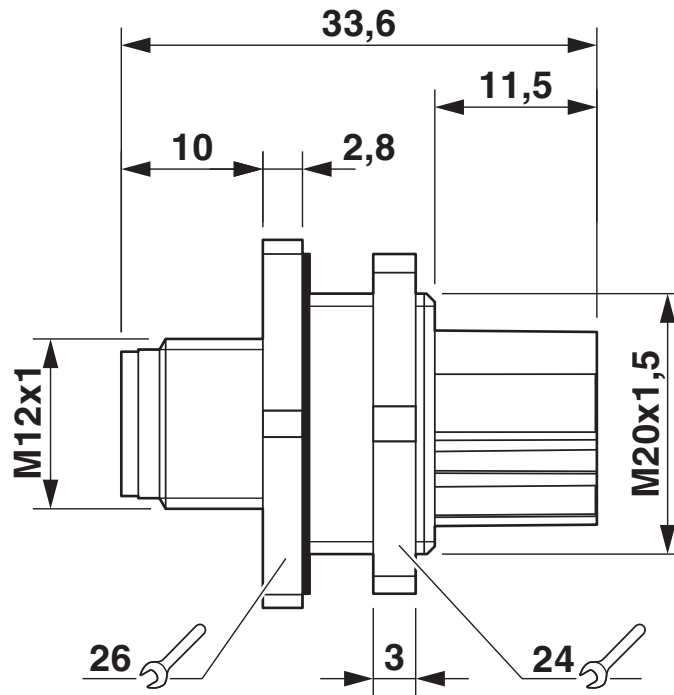
SACC-E-M12MS-4PL-M20 - Panel feed-through

1139802

<https://www.phoenixcontact.com/us/products/1139802>

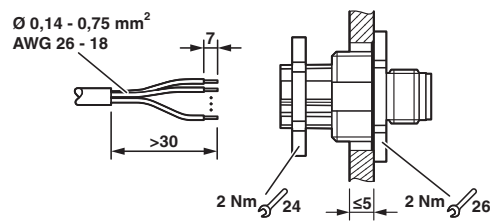
Drawings

Dimensional drawing



M12 flush-type plug

Functional drawing



SACC-E-M12MS-4PL-M20 - Panel feed-through

1139802

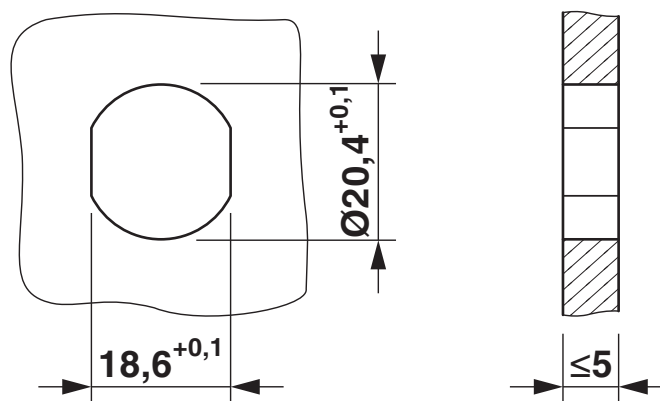
<https://www.phoenixcontact.com/us/products/1139802>

Schematic diagram



Pin assignment M12 plug, 4-pos., A-coded, view plug side

Drilling plan/solder pad geometry



Housing cutout for M20 fastening thread, mounting panel with thread

SACC-E-M12MS-4PL-M20 - Panel feed-through



1139802

<https://www.phoenixcontact.com/us/products/1139802>

Approvals

To download certificates, visit the product detail page: <https://www.phoenixcontact.com/us/products/1139802>



UL Listed

Approval ID: E221474



cUL Listed

Approval ID: E221474

SACC-E-M12MS-4PL-M20 - Panel feed-through



1139802

<https://www.phoenixcontact.com/us/products/1139802>

Classifications

ECLASS

ECLASS-13.0	27440109
ECLASS-15.0	27440109

ETIM

ETIM 10.0	EC003569
-----------	----------

UNSPSC

UNSPSC 21.0	39121400
-------------	----------

SACC-E-M12MS-4PL-M20 - Panel feed-through



1139802

<https://www.phoenixcontact.com/us/products/1139802>

Environmental product compliance

EU RoHS

Fulfills EU RoHS substance requirements	Yes, No exemptions
---	--------------------

China RoHS

Environment friendly use period (EFUP)	EFUP-E
	No hazardous substances above the limits

EU REACH SVHC

REACH candidate substance (CAS No.)	No substance above 0.1 wt%
-------------------------------------	----------------------------

Phoenix Contact 2026 © - all rights reserved
<https://www.phoenixcontact.com>

Phoenix Contact USA
586 Fulling Mill Road
Middletown, PA 17057, United States
(+717) 944-1300
info@phoenixcon.com