

EEM-MB370-24DC - Measuring device



1127061

<https://www.phoenixcontact.com/us/products/1127061>

Please be informed that the data shown in this PDF document is generated from our online catalog. Please find the complete data in the user documentation. Our general terms of use for downloads are valid.



Multi-functional energy measuring device without display with 24 V DC supply and integrated Modbus/TCP interface for measuring electrical parameters in low-voltage installations up to 690 V ([phoenixcontact.com/empro-help](https://www.phoenixcontact.com/empro-help))

Product description

The multifunctional EMpro energy measuring devices acquire your energy data and offer numerous options for communicating the data to higher-level control and management systems. Configure and integrate your energy measuring devices in just a few steps using the web-based, user-guided installation wizard. In addition, benefit from many practice-oriented web server and device functions.

Your advantages

- Energy measurement in just three steps with the intuitive installation wizard
- Easy commissioning and service with intelligent web server and display functions
- Data protection through the targeted deactivation of key configuration functions and interfaces
- Fast integration into control and management systems with future-oriented communication solutions and digital services

Commercial data

Item number	1127061
Packing unit	1 pc
Minimum order quantity	1 pc
Sales key	C446
Product key	CMMC21
GTIN	4063151055332
Weight per piece (including packing)	284.32 g
Weight per piece (excluding packing)	284.67 g
Customs tariff number	90303100
Country of origin	DE

EEM-MB370-24DC - Measuring device



1127061

<https://www.phoenixcontact.com/us/products/1127061>

Technical data

Product properties

Product type	Energy measuring device
Product family	EMpro
Number (Ethernet ports)	1

Display

Display type	LCD display, backlit, 2-color, multi-line
--------------	---

Electrical properties

Maximum power dissipation for nominal condition	10 VA
Mains type	3-phase (3 or 4-conductor), 2-phase (2-conductor), and single-phase (1-conductor)

Electrical isolation

Test voltage	4 kV AC (50 Hz, 60 s)
Pollution degree	2
Insulation	Reinforced insulation

Electrical isolation Housing against all potentials IEC 61010-1

Standards/regulations	IEC 61010-1
Overvoltage category	III (300 V AC) II (600 V AC)
Insulation	Reinforced insulation

Electrical isolation Supply voltage

Insulation	Functional insulation
------------	-----------------------

Electrical isolation Voltage measurement input against all other potentials IEC 61010-2-030

Standards/regulations	IEC 61010-2-030
Measuring category	III (300 V AC) II (600 V AC)
Insulation	Reinforced insulation

Electrical isolation Current measurement input against all other potentials

Insulation	Functional insulation
------------	-----------------------

Electrical isolation Digital I/Os

Insulation	Functional insulation
------------	-----------------------

Electrical isolation Communication interface

Insulation	Functional insulation
------------	-----------------------

Supply

Supply voltage	24 V DC \pm 25 %
Supply voltage range	18 V DC ... 30 V DC
Power consumption	< 4 W

Input data

Measuring data acquisition

Measuring principle	True r.m.s. value measurement (seamless)
Frequency measuring range (Fundamental component)	45 Hz ... 65 Hz
Measured value	AC sine (50 Hz/60 Hz)
Scanning rate	12,8 kHz (50 Hz) / 15,4 kHz (60 Hz)
Number of periods	10 (true RMS value at 50 Hz)
	12 (true RMS value at 60 Hz)
Acquisition of harmonics	up to 63rd harmonic

Measurement: Voltage

Input name	Voltage measuring input V1, V2, V3
Input voltage range direct	18 V AC ... 690 V AC (Phase/Phase)
	11 V AC ... 400 V AC (Phase/neutral conductor)
Input voltage range via external transformers	60 V AC ... 2000000 V AC (primary)
	60 V AC ... 400 V AC (secondary)
Surge voltage capacity	760 V AC (Phase/Phase)
Precision	0.2 %
Power consumption	< 0.5 VA

Measurement: Current

Input name	Current measurement I1, I2, I3
Input current	1 A (secondary)
	5 A (secondary)
Measuring range	1 A ... 20000 A (primary)
Overload capacity	6 A (I_{max})
Response threshold from measuring range nominal value	10 mA (1 A)
	50 mA (5 A)
Precision	0.2 %
Current overload	50 A for 1 s
	20 A ($4 \times I_N$, continuous)
Power consumption	< 0.5 VA

Measurement: Power

Precision	0.5 %
Active energy (IEC 62053-22)	Class 0.5 S
Reactive power (IEC 62053-23)	Class 2
ANSI C12.20	Class 0.5 S

Digital

Description of the input	Digital input in accordance with IEC/EN 61131-2 (type 3)
Number	1
Voltage input signal	24 V DC
	0 V DC ... 30 V DC

Current input signal	2 mA ... 15 mA
Protection	250 mA (fast-blow)
Protective circuit	Protection against incorrect DC connection (max. 30 V)

Output data

Digital

Output description	Digital output in accordance with IEC/EN 61131-2 (type 3)
Number	1
Current output signal	≤ 100 mA
Voltage output signal	24 V DC
Protection	250 mA (fast-blow)
Protective circuit	Protection against incorrect DC connection (max. 30 V)

Connection data

Current / voltage / supply

Connection method	Screw connection
Stripping length	8 mm
Screw thread	M3
Conductor cross-section rigid	0.2 mm ² ... 6 mm ²
Conductor cross-section flexible	0.2 mm ² ... 4 mm ²
Conductor cross-section AWG	24 ... 10
Tightening torque	0.5 Nm ... 0.6 Nm

Digital I/O / communication

Connection method	Screw connection
Stripping length	7 mm
Screw thread	M3
Conductor cross-section rigid	0.14 mm ² ... 2.5 mm ²
Conductor cross-section flexible	0.14 mm ² ... 1.5 mm ²
Conductor cross-section AWG	26 ... 14
Tightening torque	0.5 Nm ... 0.6 Nm

Interfaces

Data: Network interface

Communication protocol	Modbus/TCP
	REST
Connection method	RJ45
Transmission speed	10 Mbps
	100 Mbps

Dimensions

Item dimensions

Width	90 mm
-------	-------

EEM-MB370-24DC - Measuring device



1127061

<https://www.phoenixcontact.com/us/products/1127061>

Height	90 mm
Depth	71.7 mm
Horizontal pitch	5 Div.

Material specifications

Color	gray (RAL 7042)
-------	-----------------

Environmental and real-life conditions

Ambient conditions

Degree of protection (Housing)	IP20 (Housing)
Ambient temperature (operation)	-25 °C ... 70 °C
Ambient temperature (storage/transport)	-30 °C ... 80 °C
Altitude	≤ 2000 m
Max. permissible relative humidity (operation)	≤ 95 % (non-condensing)

Approvals

CE

Certificate	CE-compliant
-------------	--------------

UL, USA/Canada

Identification	UL/C-UL Listed UL 61010-1
----------------	---------------------------

UL data

Operating mode	Indoor use
----------------	------------

Standards and regulations

Standards/regulations	IEC 61010-1
	IEC 61326-1
	IEC 61557-12

Mounting

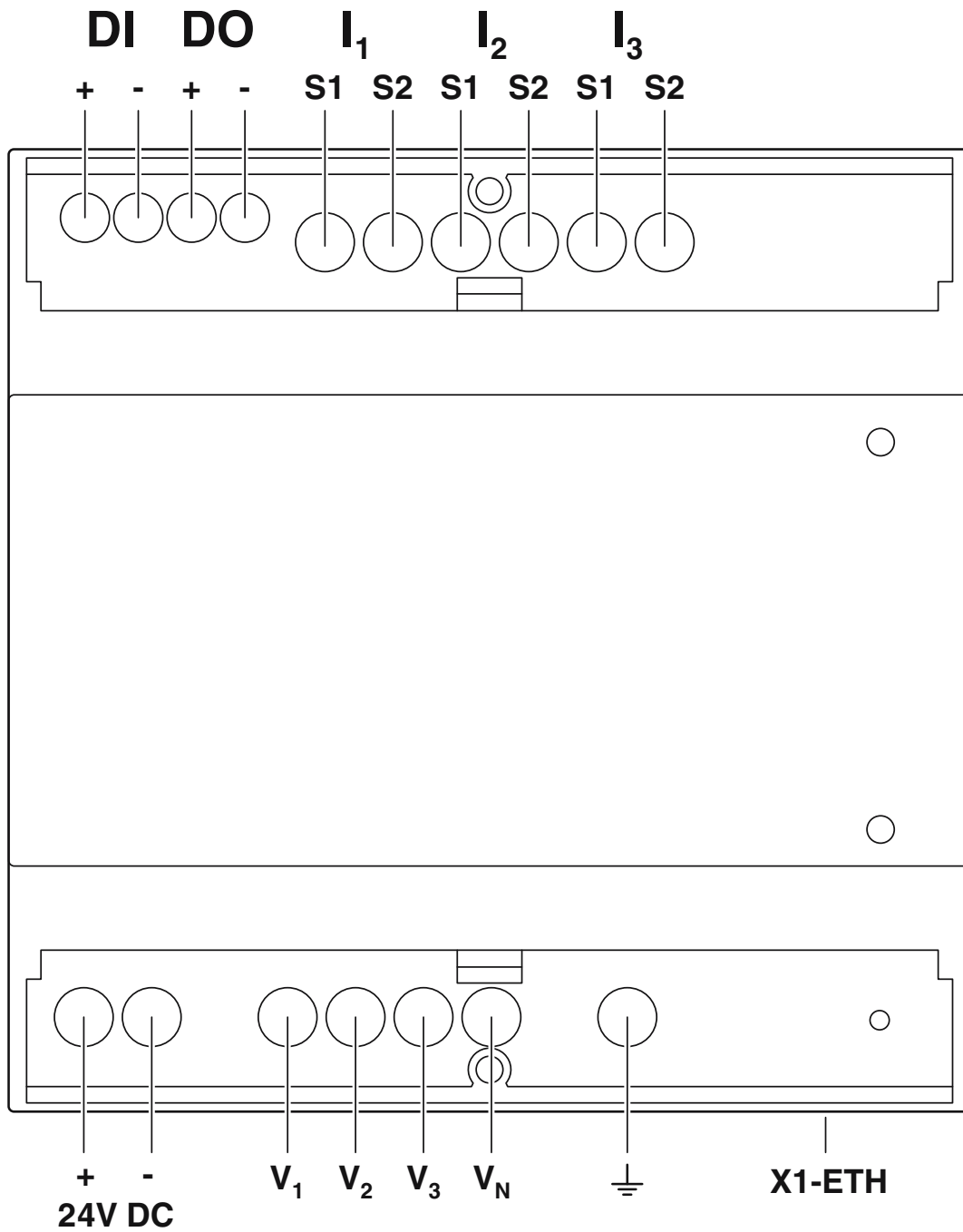
Mounting type	DIN rail mounting
Mounting position	Horizontal DIN rail

1127061

<https://www.phoenixcontact.com/us/products/1127061>

Drawings

Connection diagram



Connection assignment

1127061

<https://www.phoenixcontact.com/us/products/1127061>

Connection diagram



Network type: 3PH-4W-3CT

Connection diagram



Network type: 3PH-4W-1CT

1127061

<https://www.phoenixcontact.com/us/products/1127061>

Connection diagram



Network type: 3PH-3W-3CT

Connection diagram

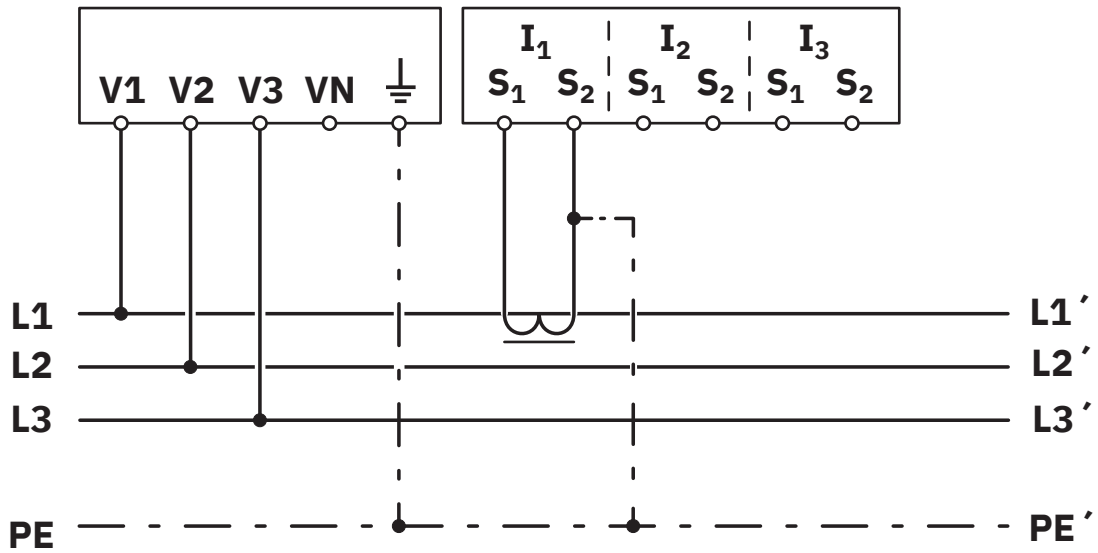


Network type: 3PH-3W-2CT

1127061

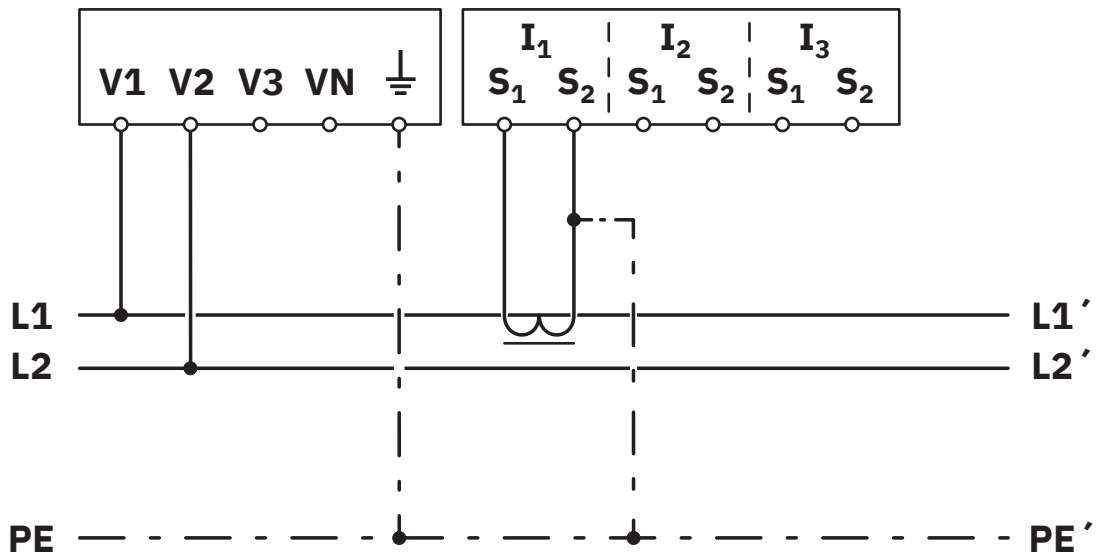
<https://www.phoenixcontact.com/us/products/1127061>

Connection diagram



Network type: 3PH-3W-1CT

Connection diagram



Network type: 2PH-2W-1CT

1127061

<https://www.phoenixcontact.com/us/products/1127061>

Connection diagram



Network type: 2PH-3W-2CT

Connection diagram



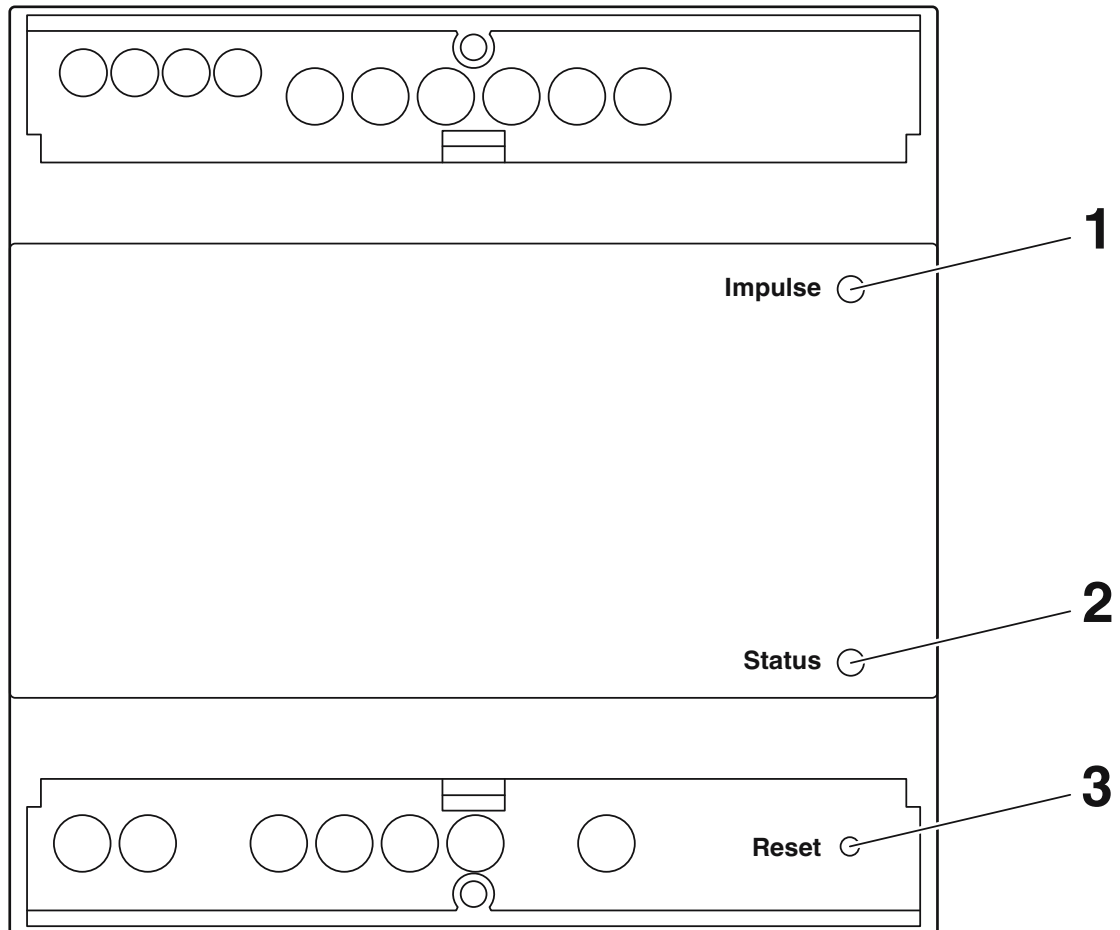
Network type: 1PH-2W-1CT

EEM-MB370-24DC - Measuring device

1127061

<https://www.phoenixcontact.com/us/products/1127061>

Schematic diagram



Operating and indication elements

- 1 Reset button
- 2 Status LED
- 3 Pulse LED

EEM-MB370-24DC - Measuring device



1127061

<https://www.phoenixcontact.com/us/products/1127061>

Schematic diagram



Mounting

EEM-MB370-24DC - Measuring device



1127061

<https://www.phoenixcontact.com/us/products/1127061>

Approvals

To download certificates, visit the product detail page: <https://www.phoenixcontact.com/us/products/1127061>



UL Listed

Approval ID: E357804



cUL Listed

Approval ID: E357804



cULus Listed

Approval ID: E357804

EEM-MB370-24DC - Measuring device



1127061

<https://www.phoenixcontact.com/us/products/1127061>

Classifications

ECLASS

ECLASS-13.0	27142330
ECLASS-15.0	27142330

ETIM

ETIM 10.0	EC002301
-----------	----------

UNSPSC

UNSPSC 21.0	41113600
-------------	----------

EEM-MB370-24DC - Measuring device



1127061

<https://www.phoenixcontact.com/us/products/1127061>

Environmental product compliance

EU RoHS

Fulfills EU RoHS substance requirements	Yes
Exemption	7(a), 7(c)-I

China RoHS

Environment friendly use period (EFUP)	EFUP-50
	An article-related China RoHS declaration table can be found in the download area for the respective article under "Manufacturer declaration". For all articles with EFUP-E, no China RoHS declaration table issued and required.

EU REACH SVHC

REACH candidate substance (CAS No.)	Lead(CAS: 7439-92-1)
	Perfluorobutane sulfonic acid (PFBS) and its salts(CAS: n/a)
SCIP	5743539f-b522-4920-8fbe-11481411b979

Phoenix Contact 2026 © - all rights reserved
<https://www.phoenixcontact.com>

Phoenix Contact USA
586 Fulling Mill Road
Middletown, PA 17057, United States
(+717) 944-1300
info@phoenixcon.com