

CABLE-D37F/4XD15F/4,0M/ETHA - Cable



1119202

<https://www.phoenixcontact.com/us/products/1119202>

Please be informed that the data shown in this PDF document is generated from our online catalog. Please find the complete data in the user documentation. Our general terms of use for downloads are valid.

Round cable set; controller: Siemens SIMATIC® ET 200SP HA; connection 1: D-SUB socket strip (1x 37-position); connection 2: D-SUB socket strip (4x 15-position); cable length: 4 m



Commercial data

Item number	1119202
Packing unit	1 pc
Minimum order quantity	1 pc
Note	Made to order (non-returnable)
Sales key	C421
Product key	DK225S
GTIN	4063151047078
Weight per piece (including packing)	1,040 g
Weight per piece (excluding packing)	1,040 g
Customs tariff number	85444290
Country of origin	DE

CABLE-D37F/4XD15F/4,0M/ETHA - Cable



1119202

<https://www.phoenixcontact.com/us/products/1119202>

Technical data

Product properties

Product type	System cable
--------------	--------------

Environmental and real-life conditions

Ambient conditions

Degree of protection	IP00
Degree of protection (Installation location)	≥ IP54 (Installation location)
Ambient temperature (operation) (fixed installation)	-40 °C ... 70 °C (fixed installation)
Ambient temperature (operation) (flexible installation)	-10 °C ... 70 °C (flexible installation)
Ambient temperature (storage/transport)	-40 °C ... 80 °C
Altitude	≤ 2000 m

Electrical properties

Operating voltage (AC)	≤ 30 V AC
Operating voltage (DC)	≤ 60 V DC
Nominal operating mode	100% operating factor
Current (Per path, 50°C)	≤ 1 A (Uncoiled, see derating)
Current (Per path, 70°C)	≤ 0.6 A (Uncoiled, see derating)

Supported controller: SIEMENS ET 200SP HA

Suitable terminal block	6DL1193-6TP00-0BH1
	6DL1193-6TP00-0DH1
	6DL1193-6TP00-0BM1
	6DL1193-6TP00-0DM1
Suitable I/O module	6DL1131-6BL00-0PH1 (Terminal Block H1/M1)
	6DL1132-6BL00-0PH1 (Terminal Block H1/M1)

Cable/line

Cable length	4 m
--------------	-----

10X0.14 [PVC]

UL AWM Style	2464/1061
Number of positions	10
Shielded	no
Cable type	10X0.14 [PVC]
Conductor type	Round cable set
Conductor structure signal line	7x 0.16 mm
AWG signal line	26
Conductor cross-section	10x 0.14 mm ²
Wire diameter incl. insulation	1 mm ±0.03 mm
External cable diameter	6.10 mm ±0.4 mm
Outer sheath, material	Semi-rigid PVC

CABLE-D37F/4XD15F/4,0M/ETHA - Cable



1119202

<https://www.phoenixcontact.com/us/products/1119202>

External sheath, color	gray
Conductor material	Tin-plated Cu litz wires
Cable resistance	≤ 145 Ω/km (20 °C)
Insulation resistance	≥ 20 MΩ*km (20 °C)
Smallest bending radius, fixed installation	52 mm
Smallest bending radius, movable installation	98 mm
Dynamic load capacity (bending)	Max. bending cycles: 5000
Halogen-free	no
Flame resistance	IEC 60332-1-2 (raw cable)
	VDE 0842, Part 332-1-2 (raw cable)
	IEC 60332-3-22 (raw cable)
	UL VW-1
	CSA FT-1
Resistance to oil	can withstand occasional splashes (raw cable)
Cable type	Splitting cable for four modules

Color code: Single-core wire

black	D-SUB 37 X1 (1) = D-SUB15 X2 (1)
brown	D-SUB 37 X1 (2) = D-SUB15 X2 (2)
red	D-SUB 37 X1 (3) = D-SUB15 X2 (3)
orange	D-SUB 37 X1 (4) = D-SUB15 X2 (4)
yellow	D-SUB 37 X1 (5) = D-SUB15 X2 (5)
green	D-SUB 37 X1 (6) = D-SUB15 X2 (6)
blue	D-SUB 37 X1 (7) = D-SUB15 X2 (7)
violet	D-SUB 37 X1 (8) = D-SUB15 X2 (8)
gray	D-SUB 37 X1 (17) = D-SUB15 X2 (9)
white	D-SUB 37 X1 (36) = D-SUB15 X2 (10)
black	D-SUB 37 X1 (9) = D-SUB15 X3 (1)
brown	D-SUB 37 X1 (10) = D-SUB15 X3 (2)
red	D-SUB 37 X1 (11) = D-SUB15 X3 (3)
orange	D-SUB 37 X1 (12) = D-SUB15 X3 (4)
yellow	D-SUB 37 X1 (13) = D-SUB15 X3 (5)
green	D-SUB 37 X1 (14) = D-SUB15 X3 (6)
blue	D-SUB 37 X1 (15) = D-SUB15 X3 (7)
violet	D-SUB 37 X1 (16) = D-SUB15 X3 (8)
gray	D-SUB 37 X1 (18) = D-SUB15 X3 (9)
white	D-SUB 37 X1 (37) = D-SUB15 X3 (10)
black	D-SUB 37 X1 (20) = D-SUB15 X4 (1)
brown	D-SUB 37 X1 (21) = D-SUB15 X4 (2)
red	D-SUB 37 X1 (22) = D-SUB15 X4 (3)
orange	D-SUB 37 X1 (23) = D-SUB15 X4 (4)
yellow	D-SUB 37 X1 (24) = D-SUB15 X4 (5)
green	D-SUB 37 X1 (25) = D-SUB15 X4 (6)
blue	D-SUB 37 X1 (26) = D-SUB15 X4 (7)

CABLE-D37F/4XD15F/4,0M/ETHA - Cable



1119202

<https://www.phoenixcontact.com/us/products/1119202>

violet	D-SUB 37 X1 (27) = D-SUB15 X4 (8)
gray	D-SUB 37 X1 (17) = D-SUB15 X4 (9)
white	D-SUB 37 X1 (36) = D-SUB15 X4 (10)
black	D-SUB 37 X1 (28) = D-SUB15 X5 (1)
brown	D-SUB 37 X1 (29) = D-SUB15 X5 (2)
red	D-SUB 37 X1 (30) = D-SUB15 X5 (3)
orange	D-SUB 37 X1 (31) = D-SUB15 X5 (4)
yellow	D-SUB 37 X1 (32) = D-SUB15 X5 (5)
green	D-SUB 37 X1 (33) = D-SUB15 X5 (6)
blue	D-SUB 37 X1 (34) = D-SUB15 X5 (7)
violet	D-SUB 37 X1 (35) = D-SUB15 X5 (8)
gray	D-SUB 37 X1 (18) = D-SUB15 X5 (9)
white	D-SUB 37 X1 (37) = D-SUB15 X5 (10)

Connection data

Connection 1

Connection in acc. with standard	IEC 60807-2
	DIN 41652
Connection method	D-SUB socket strip
Screw thread	UNC 4-40
	M2,5
Number of connections	1
Number of positions	37
Tightening torque	0.2 Nm
Insertion/withdrawal cycles	> 200
Pitch	2.77 mm

Connection 2

Connection in acc. with standard	IEC 60807-2
	DIN 41652
Connection method	D-SUB socket strip
Screw thread	UNC 4-40
	M2,5
Number of connections	4
Number of positions	15
Tightening torque	0.2 Nm
Insertion/withdrawal cycles	> 200
Pitch	2.74 mm

Notes

Notes on operation	For proper use, the specifications of the installation directive (see Downloads) must be observed. For applications or use with third-party products, the specifications, and the safety and warning instructions of the respective third-party manufacturer must also be met.
--------------------	--

CABLE-D37F/4XD15F/4,0M/ETHA - Cable

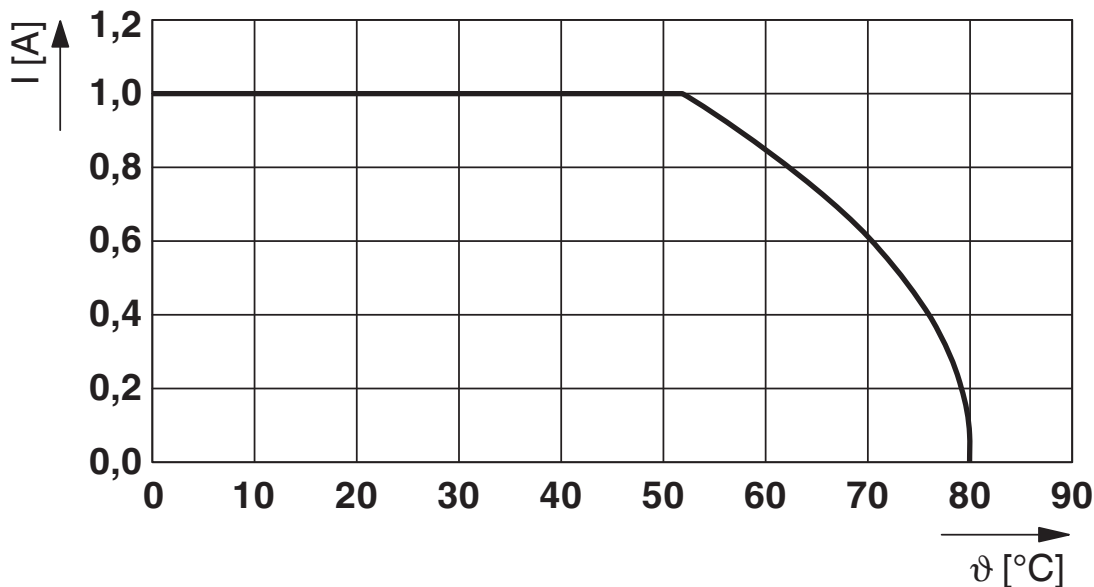


1119202

<https://www.phoenixcontact.com/us/products/1119202>

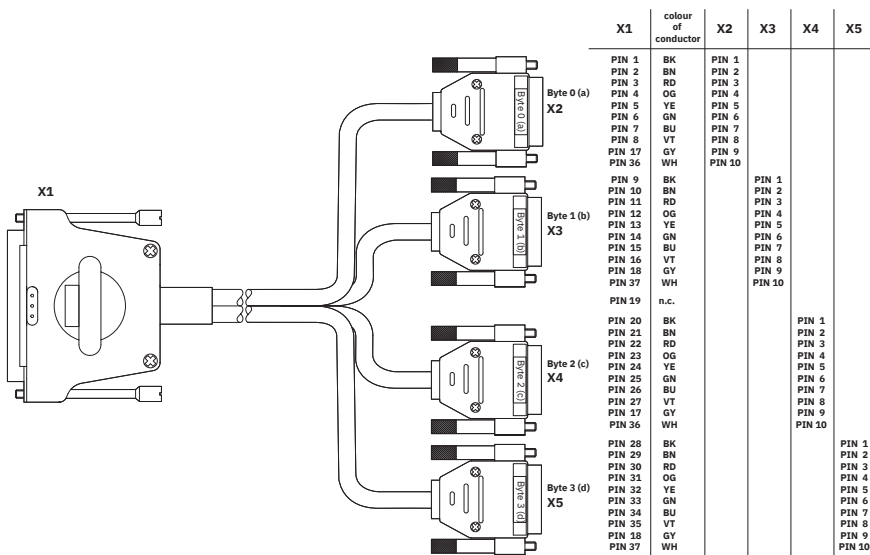
Drawings

Diagram



Maximum permissible current per path in uncoiled state

Circuit diagram



CABLE-D37F/4XD15F/4,0M/ETHA - Cable



1119202

<https://www.phoenixcontact.com/us/products/1119202>

Approvals

To download certificates, visit the product detail page: <https://www.phoenixcontact.com/us/products/1119202>



UL Listed

Approval ID: E238705



cUL Listed

Approval ID: E238705

CABLE-D37F/4XD15F/4,0M/ETHA - Cable



1119202

<https://www.phoenixcontact.com/us/products/1119202>

Classifications

ECLASS

ECLASS-13.0	27242220
ECLASS-15.0	27242220

ETIM

ETIM 10.0	EC000237
-----------	----------

UNSPSC

UNSPSC 21.0	26121600
-------------	----------

CABLE-D37F/4XD15F/4,0M/ETHA - Cable



1119202

<https://www.phoenixcontact.com/us/products/1119202>

Environmental product compliance

EU RoHS

Fulfills EU RoHS substance requirements	Yes
Exemption	6(a), 6(c)

China RoHS

Environment friendly use period (EFUP)	EFUP-50
	An article-related China RoHS declaration table can be found in the download area for the respective article under "Manufacturer declaration". For all articles with EFUP-E, no China RoHS declaration table issued and required.

EU REACH SVHC

REACH candidate substance (CAS No.)	Lead(CAS: 7439-92-1)
SCIP	7d0d6051-011b-413c-bd88-9013f212db65

Phoenix Contact 2026 © - all rights reserved

<https://www.phoenixcontact.com>

Phoenix Contact USA
586 Fulling Mill Road
Middletown, PA 17057, United States
(+717) 944-1300
info@phoenixcon.com