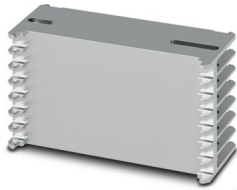


# ICE50-R122X67-A1 - Heatsink

1118305

<https://www.phoenixcontact.com/us/products/1118305>

Please be informed that the data shown in this PDF document is generated from our online catalog. Please find the complete data in the user documentation. Our general terms of use for downloads are valid.



Heatsink for housing series: ICS, material: Aluminum, anodized, product range: ICS50-..122X.., width: 67.4 mm, height: 50.1 mm, Individual milling possible.

## Your advantages

- Heatsinks enable the finished devices to be used in thermally demanding applications
- Extensive thermal simulations help achieve the optimum arrangement of components on the printed circuit board
- Customized heatsinks for reliable heat dissipation
- Simplified engineering process: all the services needed for your specific device design
- Tailored system solution comprised of a housing, connection technology, heatsink, and additional accessories

## Commercial data

Item number	1118305
Packing unit	10 pc
Minimum order quantity	10 pc
Sales key	AC09
Product key	ACHAEF
GTIN	4063151044985
Weight per piece (including packing)	372.6 g
Weight per piece (excluding packing)	372.6 g
Customs tariff number	76169990
Country of origin	CN

# ICE50-R122X67-A1 - Heatsink

1118305

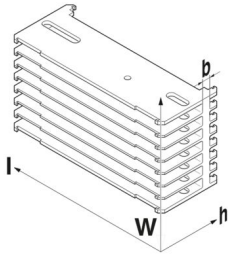
<https://www.phoenixcontact.com/us/products/1118305>

## Technical data

### Product properties

Product type	Heatsink
Housing type	Heatsink
Housing series	ICS
Product family	ICS50-..122X..

### Dimensions

Dimensional drawing	
Width	67.4 mm
Height	50.1 mm
Length	127.5 mm
Base panel thickness [b]	5.8 mm

### Material specifications

Color (Heatsink)	aluminum color
Material	Aluminum
Surface characteristics	anodized
Thermal resistance $R_{th}$	1.39 K/W (At $\Delta T$ 65 K for ambient temperature) 2.57 K/W (At $\Delta T$ 5 K for ambient temperature)

### Environmental and real-life conditions

#### Vibration test

Specification	IEC 60068-2-6:2007-12
Frequency	10 - 150 - 10 Hz
Sweep speed	1 octave/min
Amplitude	0.15 mm (10 Hz ... 58.1 Hz)
Acceleration	2g (58.1 Hz ... 150 Hz)
Test duration per axis	2.5 h
Test directions	X-, Y- and Z-axis

#### Shocks

Specification	IEC 60068-2-27:2008-02
Pulse shape	Semi-sinusoidal
Acceleration	15g

# ICE50-R122X67-A1 - Heatsink



1118305

<https://www.phoenixcontact.com/us/products/1118305>

Shock duration	11 ms
Number of shocks per direction	3
Test directions	X-, Y- and Z-axis (pos. and neg.)

## Test for substances that would hinder coating with paint or varnish

Specification	VDMA 24364:2018-05
Result	Test passed

## Ambient conditions

Ambient temperature (storage/transport)	-40 °C ... 55 °C
Ambient temperature (assembly)	-5 °C ... 100 °C

## Mounting

Mounting type	Slot
---------------	------

## Packaging specifications

Type of packaging	Box packaging
-------------------	---------------

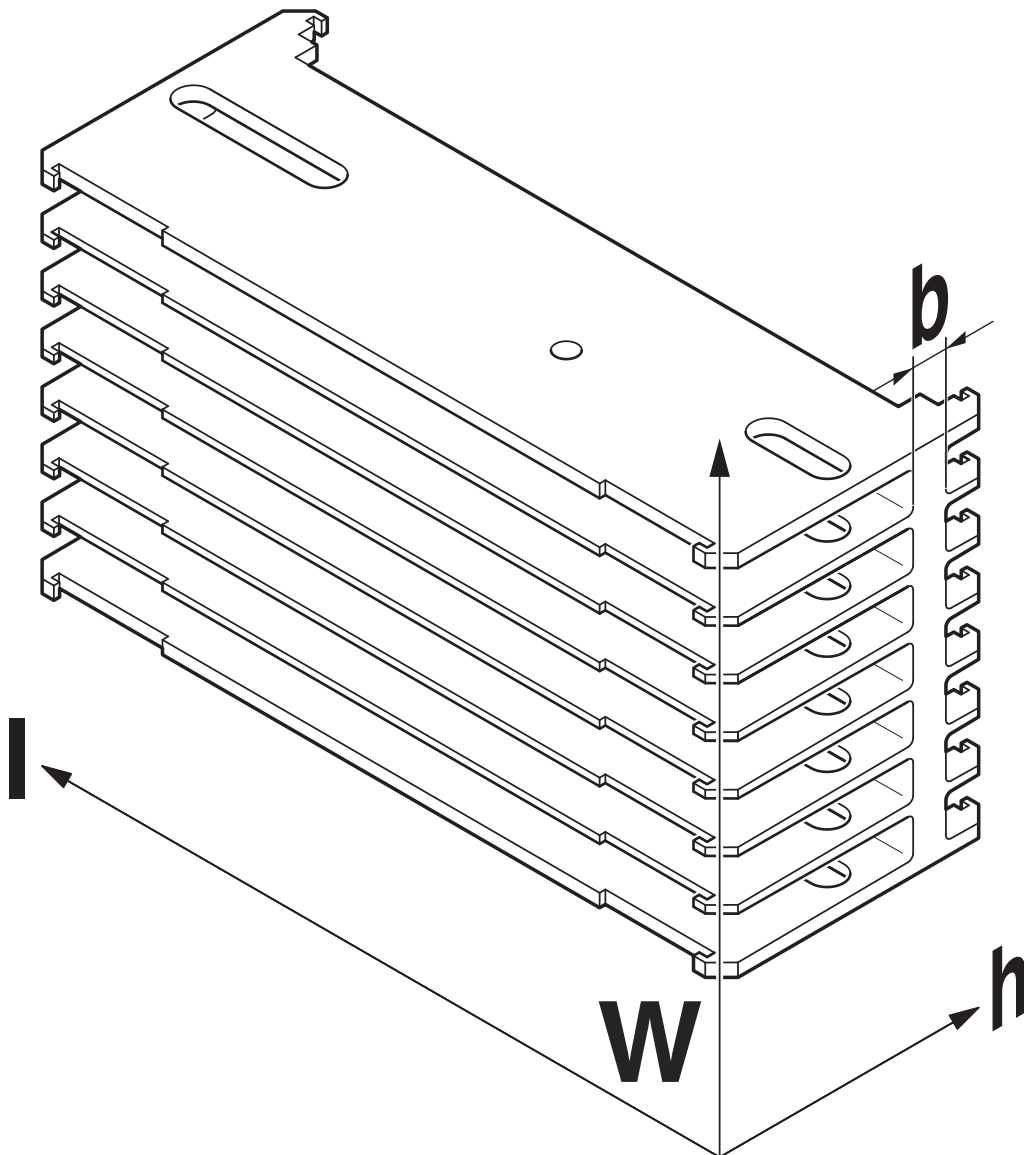
# ICE50-R122X67-A1 - Heatsink

1118305

<https://www.phoenixcontact.com/us/products/1118305>

## Drawings

Dimensional drawing



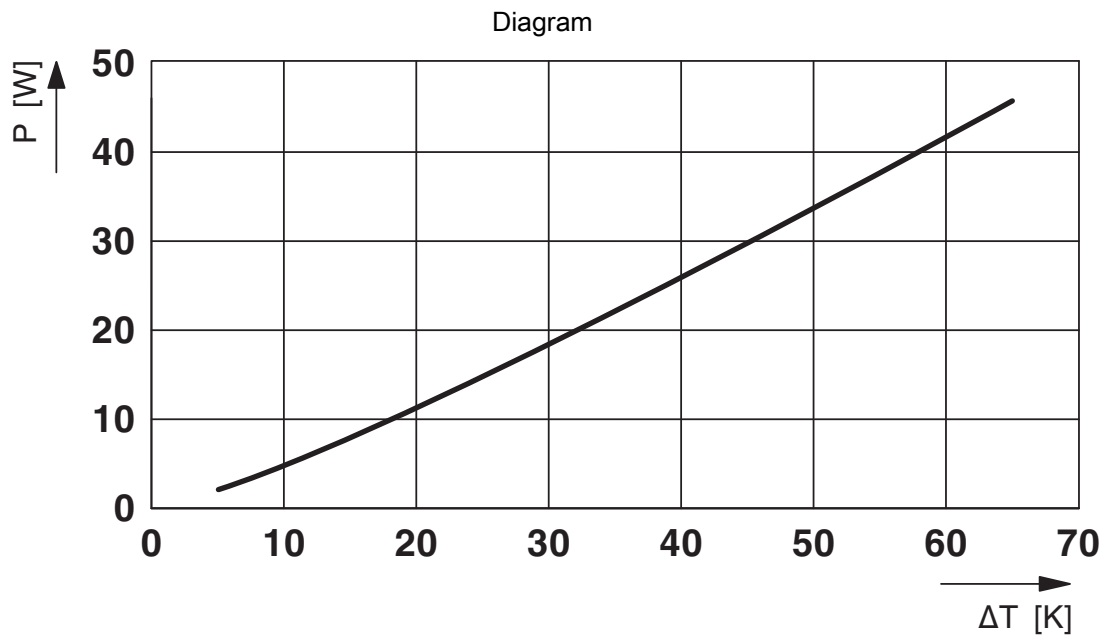
Schematic figure for illustrating the item dimensions. The figure is not of the desired product. For further details, refer to the product drawings in the "Downloads" tab.

# ICE50-R122X67-A1 - Heatsink



1118305

<https://www.phoenixcontact.com/us/products/1118305>



# ICE50-R122X67-A1 - Heatsink



1118305

<https://www.phoenixcontact.com/us/products/1118305>

## Classifications

### ECLASS

ECLASS-13.0	27260501
ECLASS-15.0	27260501

### UNSPSC

UNSPSC 21.0	32131000
-------------	----------

# ICE50-R122X67-A1 - Heatsink



1118305

<https://www.phoenixcontact.com/us/products/1118305>

## Environmental product compliance

### EU RoHS

Fulfills EU RoHS substance requirements	Yes, No exemptions
---	--------------------

### China RoHS

Environment friendly use period (EFUP)	EFUP-E
	No hazardous substances above the limits

### EU REACH SVHC

REACH candidate substance (CAS No.)	No substance above 0.1 wt%
-------------------------------------	----------------------------

Phoenix Contact 2026 © - all rights reserved  
<https://www.phoenixcontact.com>

Phoenix Contact USA  
586 Fulling Mill Road  
Middletown, PA 17057, United States  
(+717) 944-1300  
[info@phoenixcon.com](mailto:info@phoenixcon.com)