

# CAPAROC E4 12-24DC/1-10A - Electronic circuit breaker



1115658

<https://www.phoenixcontact.com/us/products/1115658>

Please be informed that the data shown in this PDF document is generated from our online catalog. Please find the complete data in the user documentation. Our general terms of use for downloads are valid.



Four-channel electronic circuit breaker module for protecting 12 and 24 V DC loads against overload and short circuit. Nominal current adjustable from 1 A to 10 A via LED button. For DIN rail installation via the CAPAROC current rails.

## Your advantages

- The benchmark that you can tailor with the individual combination of multi-channel protective modules
- Easy operation for everyone through tool-free assembly, uninterrupted installation, and transparent operating state
- Exceptionally easy design-in with four separately fused channels with the narrowest of space requirements of just 3 mm per channel

**Push-in Technology**   
Designed by Phoenix Contact

**COMPLETE line**  


## Commercial data

Item number	1115658
Packing unit	1 pc
Minimum order quantity	1 pc
Sales key	CL11
Product key	CLA234
GTIN	4063151040192
Weight per piece (including packing)	94.2 g
Weight per piece (excluding packing)	86.4 g
Customs tariff number	85363010
Country of origin	DE

# CAPAROC E4 12-24DC/1-10A - Electronic circuit breaker



1115658

<https://www.phoenixcontact.com/us/products/1115658>

## Technical data

### Notes

#### General

Note	LABS release – in accordance with test specification VW PV 3. 10.7:2005-0
	When using CAPAROC E1... modules, for continuous shock in accordance with IEC 60068-2-27 the 6 ms / 15g degree of severity applies

### Product properties

Product family	CAPAROC
Type	Plug-in module
Number of positions	1
No. of channels	4
Number of slots	2

#### Insulation characteristics

Protection class	III
Pollution degree	2

### Electrical properties

#### General

Operating voltage	10 V DC ... 30 V DC
Rated voltage	12 V DC
	24 V DC
Rated current $I_N$	10 A (per channel)
Rated current $I_N$	1 / 2 / 3 / 4 / 5 / 6 / 7 / 8 / 9 / 10 A DC (adjustable per output channel)
Rated current (pre-adjusted)	4 A
Rated surge voltage	0.5 kV
Tripping method	E (electronic)
Feedback resistance	max. 35 V DC
Switch-on delay	50 ms (each channel preset by default)
	can be adapted with CAPAROC PM IOL and CAPAROC PM PN power modules
Required backup fuse	Only required if $I_{max}$ of the power supply > the short-circuit switching capacity. Integrated failsafe element.
Short-circuit switching capacity	300 A
Dielectric strength	35 V DC (Load circuit)
Fuse	electronic
Efficiency	> 99 %
Closed circuit current $I_0$	typ. 20 mA (no load at 24 V)
Power dissipation	typ. 0.48 W (no load at 24 V)
	< 6 W (in nominal operation at 24 V and 10 A)

# CAPAROC E4 12-24DC/1-10A - Electronic circuit breaker



1115658

<https://www.phoenixcontact.com/us/products/1115658>

Waiting time after switch off of a channel	5 s (at overload / short circuit)
Measuring tolerance I	± 10 % (typ.)
Temperature derating	16 A (Total current at 65 °C) 40 A (Total current at 25°C)
MTBF (IEC 61709, SN 29500)	6325945.91 h (at 25 °C with 21 % load) 1812525.02 h (at 40°C with 34.25% load) 365459.81 h (at 25°C with 100% load)
Voltage drop	0.14 V (at 10 A)
Fail-safe element	15 A DC (per output channel)
Contact switching type	without electrical isolation

## Load circuit

Shutdown time	4 s (with overload 1.1...1.5 x I <sub>N</sub> )
	1 s (with overload 1.5...2.0 x I <sub>N</sub> )
	0.1 s (with overload 2.0...3.0 x I <sub>N</sub> )
	≤ 10 ms (For short circuit > 3.0 x I <sub>N</sub> )
Undervoltage switch-off	≤ 8.5 V DC (active)
	≥ 9.2 V DC (inactive)
Overvoltage switch-off	≥ 32.5 V DC (active)
	≤ 30.5 V DC (inactive)
Max. capacitive load	≤ 25000 µF (Depending on the current setting and the short-circuit current available)

## Connection data

### Fuse-protected output

Connection method	Push-in connection
Stripping length	10 mm
Conductor cross-section flexible	0.2 mm <sup>2</sup> ... 4 mm <sup>2</sup>
Conductor cross-section rigid	0.2 mm <sup>2</sup> ... 4 mm <sup>2</sup>
Conductor cross-section AWG	24 ... 12
Conductor cross-section, flexible, with ferrule, with plastic sleeve	0.25 mm <sup>2</sup> ... 4 mm <sup>2</sup>
Conductor cross-section, flexible, with ferrule, without plastic sleeve	0.25 mm <sup>2</sup> ... 4 mm <sup>2</sup>

## Signaling

Channel LED off	off (Channel switched off)
Channel LED yellow	lit (Channel switched on, channel load > 80% )
	flashing (Programming mode active)
	two flashes (Check the installation, no communication to power module)
Channel LED green	lit (Channel switched on)
Channel LED red	lit (Channel switched off, over- or undervoltage active)
	ON temporarily (Channel switched off, 5 s cool-down phase, overload or short-circuit release)
	flashing (Channel switched off, ready to be switched back on, overload or short-circuit release)

# CAPAROC E4 12-24DC/1-10A - Electronic circuit breaker



1115658

<https://www.phoenixcontact.com/us/products/1115658>

	two flashes (Channel switched off, system total current limit exceeded)
Channel LED red-yellow	flashing (Channel switched on, overload mode, capacity approximately 110 ... 150%, shutdown after 5 s)
Channel LED red-green	flashing (Channel switched off, programming mode active, current adjustment after overload or short-circuit release)

## Dimensions

Dimensional drawing	
Width	12.4 mm
Height	132.4 mm
Depth	111.3 mm (incl. DIN rail 7.5 mm)

## Material specifications

Color	light gray (RAL 7035)
Material	PA 6
	PA 6
	PA 6
	PC
Flammability rating according to UL 94	V-0

## Environmental and real-life conditions

### Ambient conditions

Degree of protection	IP20
Ambient temperature (operation)	-30 °C ... 65 °C (The temperature range of the power module must be taken into consideration)
Ambient temperature (storage/transport)	-40 °C ... 70 °C
Altitude	≤ 4000 m (amsl)
Humidity test	96 h, 95 % RH, 40 °C
Shock (operation)	30g (11 ms period, half-sine shock pulse, according to IEC 60068-2-27)
	25g (6 ms duration, half-sine shock pulse in accordance with IEC 60068-2-27, continuous shock)
Vibration (operation)	5g (10 Hz ... 150 Hz / 10 cycles / axis / X, Y, Z)

## Approvals

### UL approval

Identification	UL/C-UL Listed UL 508
	UL Recognized UL 2367

# CAPAROC E4 12-24DC/1-10A - Electronic circuit breaker



1115658

<https://www.phoenixcontact.com/us/products/1115658>

## Corrosive gas test

Identification	ISA S71.04.2013 G3 Harsh Group A
----------------	----------------------------------

## Standards and regulations

Standards/specifications	EN 61000-6-2
Note	EMC – Immunity for industrial areas
Standards/specifications	EN 61000-6-3
Note	EMC – Emission for residential, business and commercial properties and small operations
Standards/specifications	EN 60068-2-78
Note	Environmental influences – Moisture and heat, constant
Standards/specifications	EN 50178
Note	Equipping power installations with electronic equipment
Standards/specifications	EN 60068-2-6
Note	Environmental influences – Vibrations (sinusoidal)
Standards/specifications	EN 60068-2-27
Note	Environmental influences – Shocks

## Mounting

Mounting type	pluggable onto CAPAROC CR... current rail
---------------	---

# CAPAROC E4 12-24DC/1-10A - Electronic circuit breaker

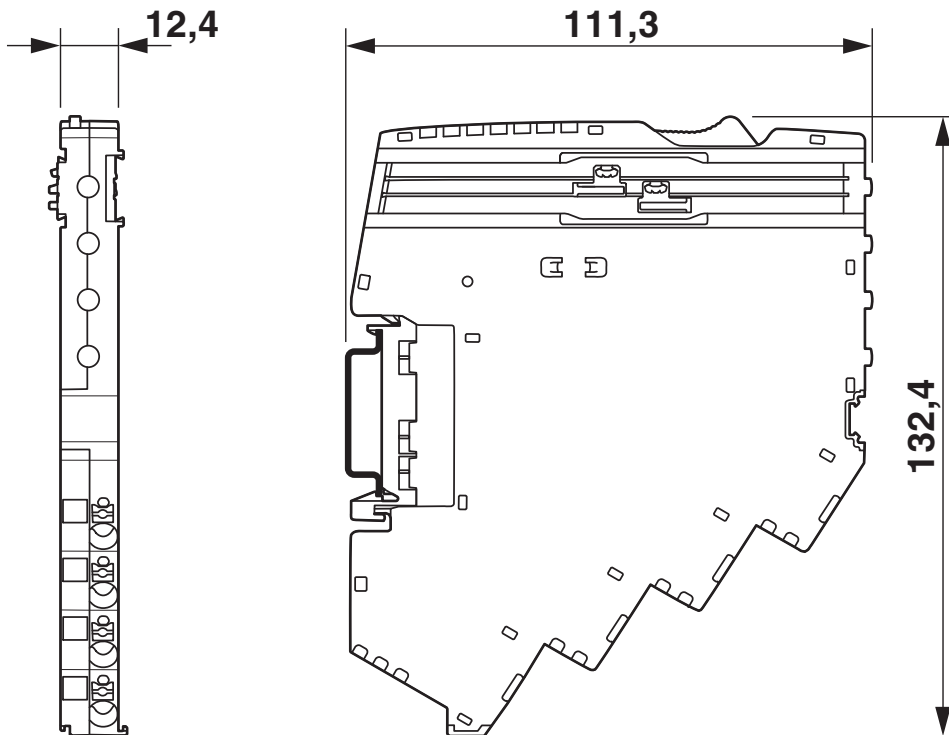


1115658

<https://www.phoenixcontact.com/us/products/1115658>

## Drawings

Dimensional drawing



Product drawing



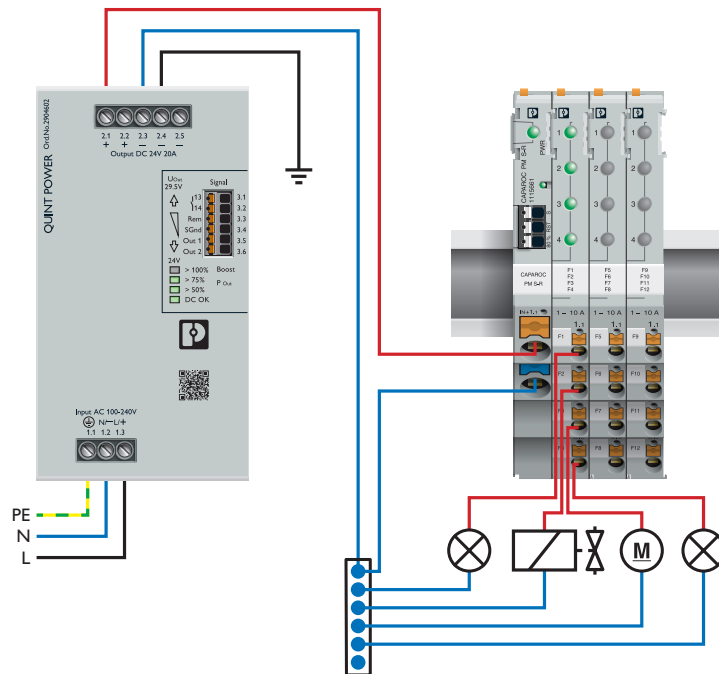
# CAPAROC E4 12-24DC/1-10A - Electronic circuit breaker



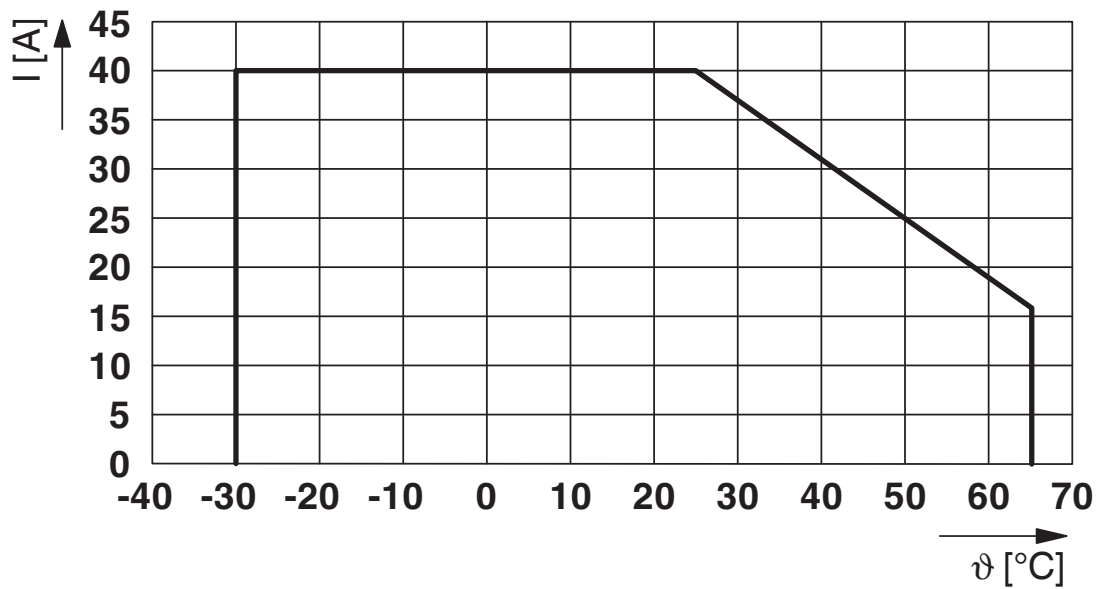
1115658

<https://www.phoenixcontact.com/us/products/1115658>

Application drawing



Diagram



Max. permissible current in relation to the ambient temperature

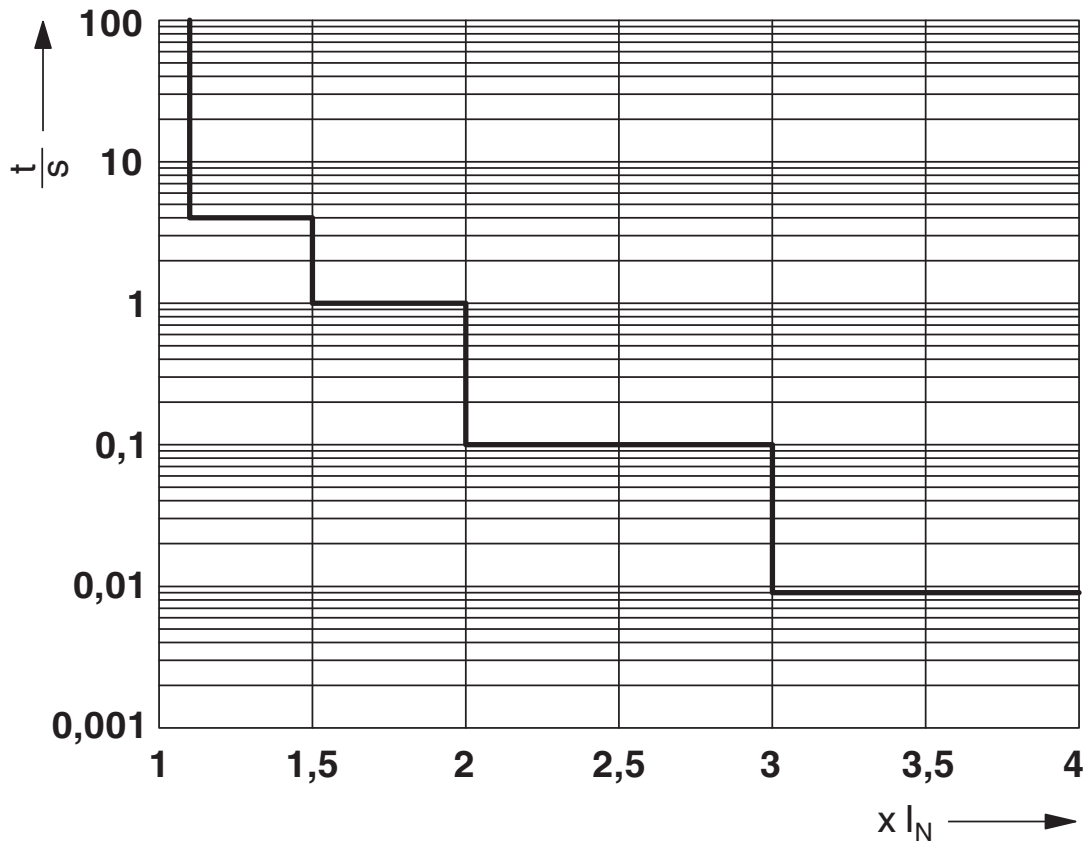
# CAPAROC E4 12-24DC/1-10A - Electronic circuit breaker



1115658

<https://www.phoenixcontact.com/us/products/1115658>

Diagram



Trigger characteristic

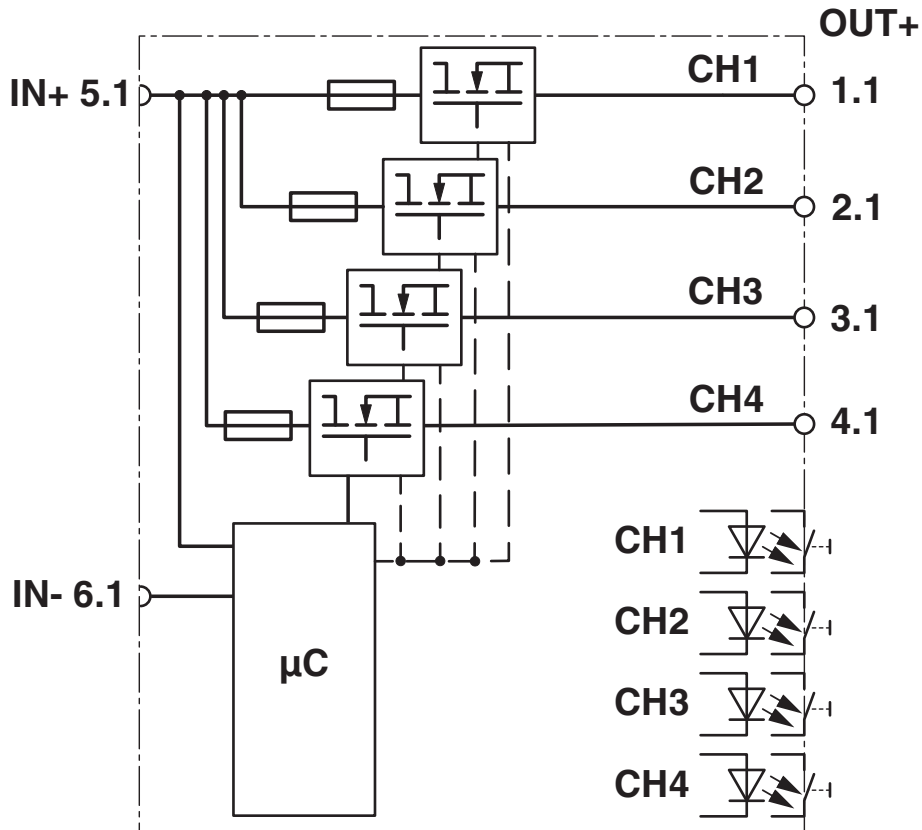
# CAPAROC E4 12-24DC/1-10A - Electronic circuit breaker



1115658

<https://www.phoenixcontact.com/us/products/1115658>

Block diagram



# CAPAROC E4 12-24DC/1-10A - Electronic circuit breaker



1115658

<https://www.phoenixcontact.com/us/products/1115658>

## Approvals

To download certificates, visit the product detail page: <https://www.phoenixcontact.com/us/products/1115658>



**UL Recognized**

Approval ID: FILE E 317172



**UL Listed**

Approval ID: E123528



**cUL Listed**

Approval ID: E123528

# CAPAROC E4 12-24DC/1-10A - Electronic circuit breaker



1115658

<https://www.phoenixcontact.com/us/products/1115658>

## Classifications

### ECLASS

ECLASS-13.0	27140401
ECLASS-15.0	27140401

### ETIM

ETIM 10.0	EC003538
-----------	----------

### UNSPSC

UNSPSC 21.0	39121400
-------------	----------

# CAPAROC E4 12-24DC/1-10A - Electronic circuit breaker



1115658

<https://www.phoenixcontact.com/us/products/1115658>

## Environmental product compliance

### EU RoHS

Fulfills EU RoHS substance requirements	Yes
Exemption	7(a), 7(c)-I

### China RoHS

Environment friendly use period (EFUP)	EFUP-50
	An article-related China RoHS declaration table can be found in the download area for the respective article under "Manufacturer declaration". For all articles with EFUP-E, no China RoHS declaration table issued and required.

### EU REACH SVHC

REACH candidate substance (CAS No.)	Lead(CAS: 7439-92-1)
	2,2',6,6'-tetrabromo-4,4'-isopropylidenediphenol(CAS: 79-94-7)
SCIP	93998b27-cb53-4fbc-98ab-c831cf83cb3d

Phoenix Contact 2026 © - all rights reserved  
<https://www.phoenixcontact.com>

Phoenix Contact USA  
586 Fulling Mill Road  
Middletown, PA 17057, United States  
(+717) 944-1300  
[info@phoenixcon.com](mailto:info@phoenixcon.com)