

BANK HOUSING 144Q - Housing



1113854

<https://www.phoenixcontact.com/us/products/1113854>

Please be informed that the data shown in this PDF document is generated from our online catalog. Please find the complete data in the user documentation. Our general terms of use for downloads are valid.

The 144Q instrument housing is designed for control panel mounting and has slots for 9 relays



Commercial data

Item number	1113854
Packing unit	1 pc
Minimum order quantity	1 pc
Note	Made to order (non-returnable)
Sales key	DT03
Product key	DTMCAA
GTIN	4063151037505
Weight per piece (including packing)	1,800 g
Weight per piece (excluding packing)	1,784 g
Customs tariff number	85389099
Country of origin	DE

BANK HOUSING 144Q - Housing



1113854

<https://www.phoenixcontact.com/us/products/1113854>

Technical data

Notes

Note on application

Note on application

Only for industrial use

Product properties

Product type

Housing

BANK HOUSING 144Q - Housing

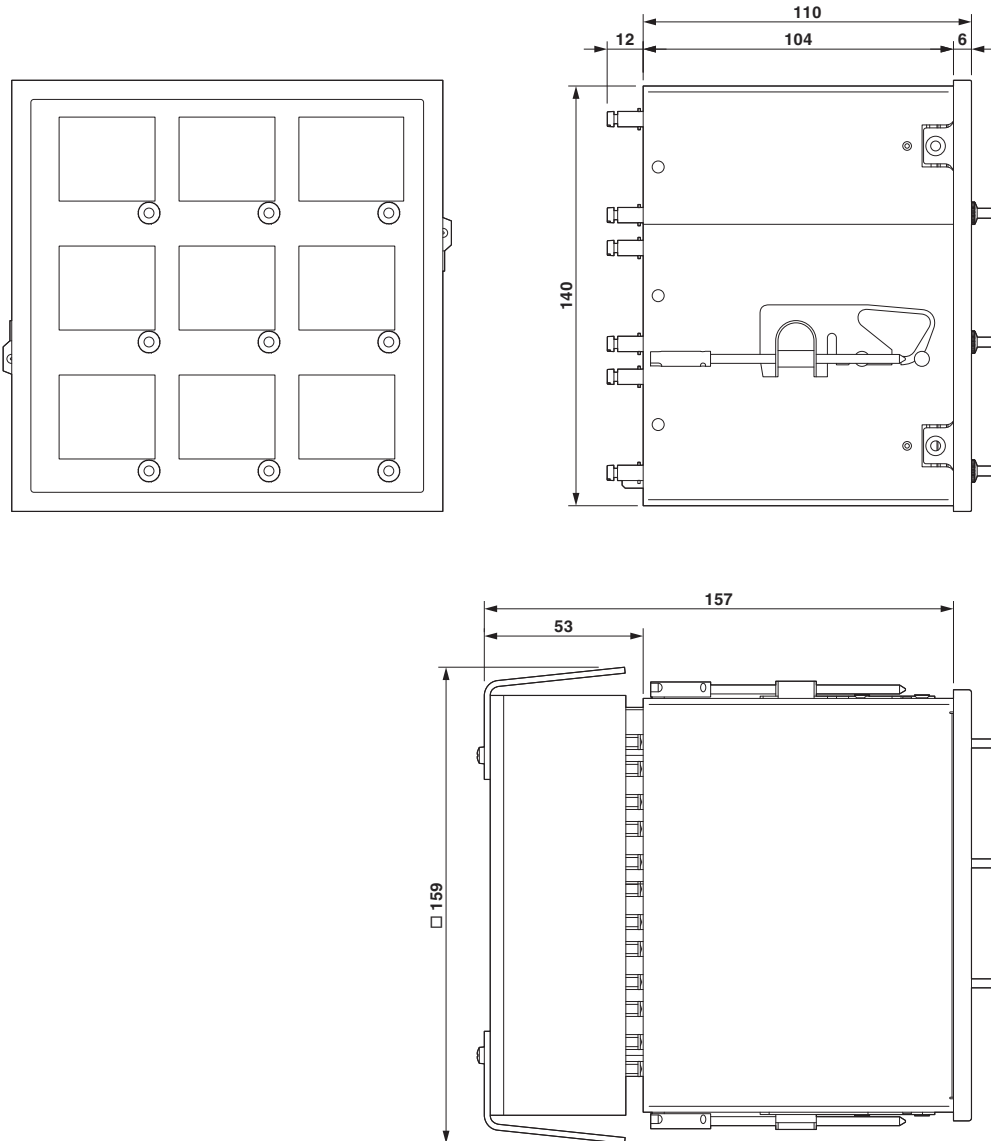


1113854

<https://www.phoenixcontact.com/us/products/1113854>

Drawings

Dimensional drawing



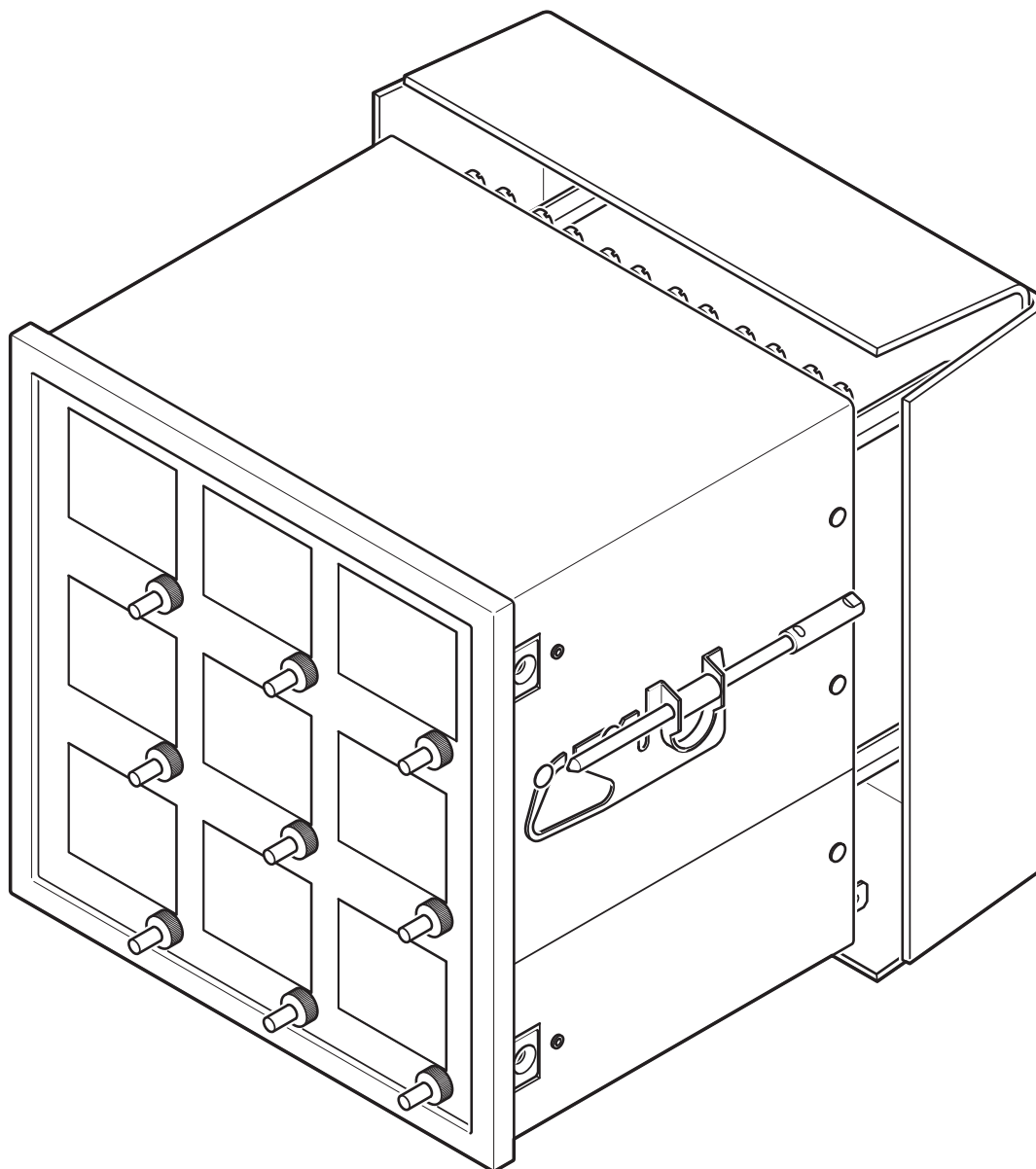
BANK HOUSING 144Q - Housing

1113854

<https://www.phoenixcontact.com/us/products/1113854>



Schematic diagram



BANK HOUSING 144Q - Housing



1113854

<https://www.phoenixcontact.com/us/products/1113854>

Classifications

ECLASS

ECLASS-13.0	27371692
ECLASS-15.0	27371692

ETIM

ETIM 10.0	EC002586
-----------	----------

UNSPSC

UNSPSC 21.0	39122300
-------------	----------

1113854

<https://www.phoenixcontact.com/us/products/1113854>

Environmental product compliance

China RoHS

Environment friendly use period (EFUP)	EFUP-25
	An article-related China RoHS declaration table can be found in the download area for the respective article under "Manufacturer declaration". For all articles with EFUP-E, no China RoHS declaration table issued and required.

EU REACH SVHC

REACH candidate substance (CAS No.)	No substance above 0.1 wt%
-------------------------------------	----------------------------

EF3.1 Climate Change

CO2e kg	40.208 kg CO2e
---------	----------------

Phoenix Contact 2026 © - all rights reserved

<https://www.phoenixcontact.com>

Phoenix Contact USA
586 Fulling Mill Road
Middletown, PA 17057, United States
(+717) 944-1300
info@phoenixcon.com