

CAPAROC CR EXT8 - Busbar



1110990

<https://www.phoenixcontact.com/us/products/1110990>

Please be informed that the data shown in this PDF document is generated from our online catalog. Please find the complete data in the user documentation. Our general terms of use for downloads are valid.

Extension busbar with 8 slots for CAPAROC system. For installation on a DIN rail.



Your advantages

- The benchmark that you can customize with lengths that can be adapted to your requirements
- Particularly easy operation for everyone with the simple Plug and Play design
- Exceptionally easy design-in with universal busbars up to 45 A



Commercial data

Item number	1110990
Packing unit	12 pc
Minimum order quantity	1 pc
Sales key	CL11
Product key	CLA23Z
GTIN	4063151029449
Weight per piece (including packing)	24.58 g
Weight per piece (excluding packing)	22 g
Customs tariff number	85366990
Country of origin	DE

Technical data

Notes

General

Note	LABS release – in accordance with test specification VW PV 3. 10.7:2005-0
	When using CAPAROC E1... modules, for continuous shock in accordance with IEC 60068-2-27 the 6 ms / 15g degree of severity applies

Product properties

Product type	Device circuit breakers
Product family	CAPAROC
Type	Plug-in module
Number of slots	8

Insulation characteristics

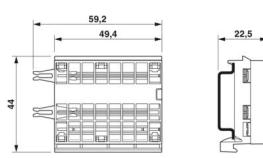
Protection class	III
Pollution degree	2

Electrical properties

General

Rated voltage	24 V DC
Rated current I_N	45 A (Total current input)
Power dissipation	< 0.5 W (At 45 A in the plus path)

Dimensions

Dimensional drawing	
Width	59.2 mm
Height	44 mm
Depth	22.5 mm (incl. DIN rail 7.5 mm)

Material specifications

Color	light gray (RAL 7035)
Material	Copper
	PC
Flammability rating according to UL 94	V-0

Environmental and real-life conditions

Ambient conditions

CAPAROC CR EXT8 - Busbar



1110990

<https://www.phoenixcontact.com/us/products/1110990>

Degree of protection	IP20
Ambient temperature (operation)	-30 °C ... 65 °C (The temperature range of the power module must be taken into consideration)
Ambient temperature (storage/transport)	-40 °C ... 70 °C
Altitude	≤ 4000 m (amsl)
Humidity test	96 h, 95 % RH, 40 °C
Shock (operation)	30g (11 ms period, half-sine shock pulse, according to IEC 60068-2-27) 25g (6 ms duration, half-sine shock pulse in accordance with IEC 60068-2-27, continuous shock) 15g (6 ms duration, half-sine shock pulse in accordance with IEC 60068-2-27, continuous shock. If more than six CAPAROC E1 modules are used in the system.)
Vibration (operation)	5g (10 Hz ... 150 Hz / 10 cycles / axis / X, Y, Z)

Approvals

UL approval

Identification	UL/C-UL Listed UL 508 UL 121201 Class I, Division 2, Groups A, B, C, D, T4A
----------------	--

Corrosive gas test

Identification	ISA S71.04.2013 G3 Harsh Group A
----------------	----------------------------------

Standards and regulations

Standards/specifications	EN 61000-6-2
Note	EMC – Immunity for industrial areas
Standards/specifications	EN 61000-6-3
Note	EMC – Emission for residential, business and commercial properties and small operations
Standards/specifications	EN 60068-2-78
Note	Environmental influences – Moisture and heat, constant
Standards/specifications	EN 50178
Note	Equipping power installations with electronic equipment
Standards/specifications	EN 60068-2-6
Note	Environmental influences – Vibrations (sinusoidal)
Standards/specifications	EN 60068-2-27
Note	Environmental influences – Shocks

Mounting

Mounting type	DIN rail: 35 mm
---------------	-----------------

CAPAROC CR EXT8 - Busbar

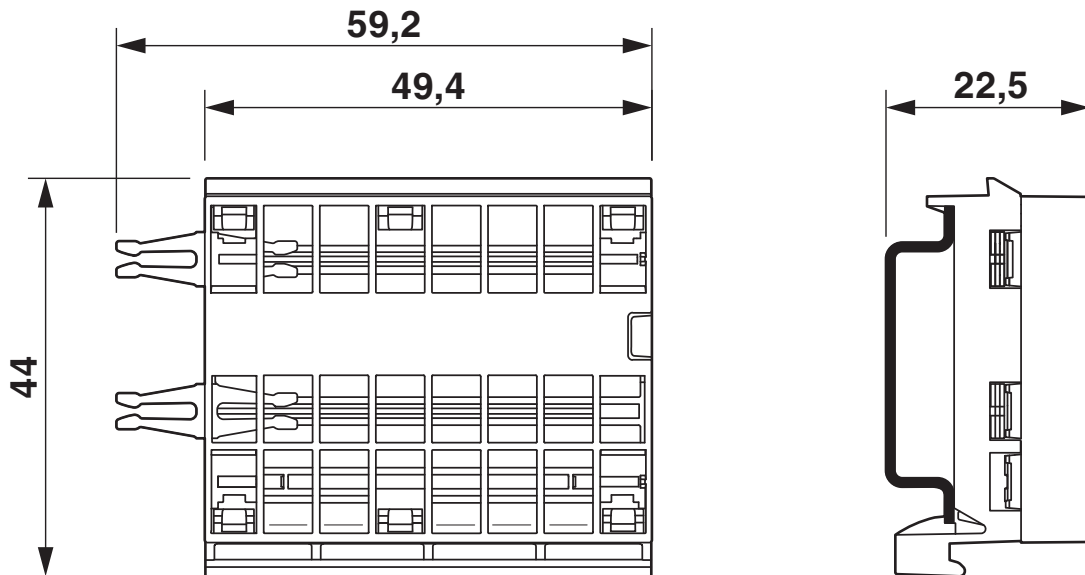
1110990

<https://www.phoenixcontact.com/us/products/1110990>



Drawings

Dimensional drawing



CAPAROC CR EXT8 - Busbar



1110990

<https://www.phoenixcontact.com/us/products/1110990>

Approvals

🔗 To download certificates, visit the product detail page: <https://www.phoenixcontact.com/us/products/1110990>



UL Listed

Approval ID: E123528



cUL Listed

Approval ID: E123528



cUL Listed

Approval ID: FILE E 483407



UL Listed

Approval ID: FILE E 483407

CAPAROC CR EXT8 - Busbar



1110990

<https://www.phoenixcontact.com/us/products/1110990>

Classifications

ECLASS

ECLASS-13.0	27140401
ECLASS-15.0	27140401

ETIM

ETIM 10.0	EC003538
-----------	----------

UNSPSC

UNSPSC 21.0	39121400
-------------	----------

CAPAROC CR EXT8 - Busbar



1110990

<https://www.phoenixcontact.com/us/products/1110990>

Environmental product compliance

EU RoHS

Fulfills EU RoHS substance requirements	Yes, No exemptions
---	--------------------

China RoHS

Environment friendly use period (EFUP)	EFUP-E
	No hazardous substances above the limits

EU REACH SVHC

REACH candidate substance (CAS No.)	No substance above 0.1 wt%
-------------------------------------	----------------------------

EF3.1 Climate Change

CO2e kg	0.072 kg CO2e
---------	---------------

Phoenix Contact 2026 © - all rights reserved
<https://www.phoenixcontact.com>

Phoenix Contact USA
586 Fulling Mill Road
Middletown, PA 17057, United States
(+717) 944-1300
info@phoenixcon.com