

RPI-BC 107,6 EXT DEV-KIT KMGY - Electronics housing



1107460

<https://www.phoenixcontact.com/us/products/1107460>

Please be informed that the data shown in this PDF document is generated from our online catalog. Please find the complete data in the user documentation. Our general terms of use for downloads are valid.



DIN rail housing for Raspberry Pi computers (suitable for Raspberry Pi A+, B+, 2B, 3B, 4B, and 5B); set consisting of lower part, upper part, cover, perfboard, and retainer for connecting the HBUS and GPIO strip; housing in accordance with DIN 43880

Your advantages

- Tool-free mounting
- Plenty of space for additional circuits on matrix or additional boards
- GPIO strip can be used with PTSM series connection technology
- Easy module-to-module connection, thanks to bus connection via DIN rails

Commercial data

Item number	1107460
Packing unit	1 pc
Minimum order quantity	1 pc
Sales key	AC10
Product key	ACHBAE
GTIN	4063151008789
Weight per piece (including packing)	211 g
Weight per piece (excluding packing)	200 g
Customs tariff number	85366990
Country of origin	DE

RPI-BC 107,6 EXT DEV-KIT KMGY - Electronics housing

1107460

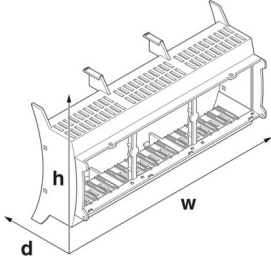
<https://www.phoenixcontact.com/us/products/1107460>

Technical data

Product properties

Product type	Stackable housing set
Housing type	DIN rail housing for use in distribution boards in accordance with DIN 43880
Housing type	Modular building installation housings
Housing series	BC
Ventilation openings present	yes

Dimensions

Dimensional drawing	
Width	107.6 mm
Height	89.7 mm
Depth	62.2 mm
Horizontal pitch	6 Div.

Material specifications

Color (Upper housing part)	light gray (RAL 7035)
Color (Lower housing part)	light gray (RAL 7035)
Material	PC
Flammability rating according to UL 94	V0

Environmental and real-life conditions

Ambient conditions

Max. IP code to attain	IP20
Ambient temperature (operation)	-40 °C ... 105 °C (depending on power dissipation)
Ambient temperature (storage/transport)	-40 °C ... 70 °C
Ambient temperature (assembly)	-5 °C ... 100 °C

PCB data

Type of PCB mount	Latching
-------------------	----------

Mounting

Mounting type	DIN rail mounting/panel mounting
---------------	----------------------------------

Packaging specifications

RPI-BC 107,6 EXT DEV-KIT KMGY - Electronics housing



1107460

<https://www.phoenixcontact.com/us/products/1107460>

Type of packaging	packed in cardboard
Outer packaging type	Carton

RPI-BC 107,6 EXT DEV-KIT KMGY - Electronics housing

1107460

<https://www.phoenixcontact.com/us/products/1107460>

Drawings

Dimensional drawing



Schematic figure for illustrating the item dimensions. The figure is not of the desired product. For further details, refer to the product drawings in the "Downloads" tab.

RPI-BC 107,6 EXT DEV-KIT KMGY - Electronics housing



1107460

<https://www.phoenixcontact.com/us/products/1107460>

Approvals

To download certificates, visit the product detail page: <https://www.phoenixcontact.com/us/products/1107460>



UL Recognized

Approval ID: E240868

RPI-BC 107,6 EXT DEV-KIT KMGY - Electronics housing



1107460

<https://www.phoenixcontact.com/us/products/1107460>

Classifications

ECLASS

ECLASS-13.0	27190201
ECLASS-15.0	27190201

ETIM

ETIM 10.0	EC001031
-----------	----------

UNSPSC

UNSPSC 21.0	31261500
-------------	----------

RPI-BC 107,6 EXT DEV-KIT KMGY - Electronics housing



1107460

<https://www.phoenixcontact.com/us/products/1107460>

Environmental product compliance

EU RoHS

Fulfills EU RoHS substance requirements	Yes, No exemptions
---	--------------------

China RoHS

Environment friendly use period (EFUP)	EFUP-E
	No hazardous substances above the limits

EU REACH SVHC

REACH candidate substance (CAS No.)	No substance above 0.1 wt%
-------------------------------------	----------------------------

Phoenix Contact 2026 © - all rights reserved
<https://www.phoenixcontact.com>

Phoenix Contact USA
586 Fulling Mill Road
Middletown, PA 17057, United States
(+717) 944-1300
info@phoenixcon.com