

SACC-M12MSS-3PECON-PG 9-M - Power connector



1107268

<https://www.phoenixcontact.com/us/products/1107268>

Please be informed that the data shown in this PDF document is generated from our online catalog. Please find the complete data in the user documentation. Our general terms of use for downloads are valid.



Power connector, 4-position, Plug straight M12, coding: S, Screw connection, knurl material: Zinc die-cast, nickel-plated, cable gland Pg9, external cable diameter 6 mm ... 8 mm, for AC current up to 12 A/630 V, Contact 4 leading

Your advantages

- Safe use in the field, thanks to a high degree of protection
- Screw connection: proven connection technology for a large selection of different conductors
- High-performance: AC connectors for up to 12 A and 630 V AC
- Protection against incorrect connection using special S-coding

Commercial data

| | |
|--------------------------------------|---------------|
| Item number | 1107268 |
| Packing unit | 1 pc |
| Minimum order quantity | 1 pc |
| Sales key | BF30 |
| Product key | AF2CAB |
| GTIN | 4063151008475 |
| Weight per piece (including packing) | 25.38 g |
| Weight per piece (excluding packing) | 25.38 g |
| Customs tariff number | 85366990 |
| Country of origin | DE |

SACC-M12MSS-3PECON-PG 9-M - Power connector



1107268

<https://www.phoenixcontact.com/us/products/1107268>

Technical data

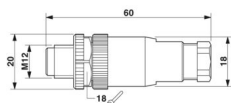
Product properties

| | |
|----------------------|---------------------------------|
| Product type | Circular connector (cable-side) |
| Application | Energy supply |
| Number of positions | 4 |
| No. of cable outlets | 1 |
| Shielded | no |
| Coding | S |
| Cable outlet | straight |
| Pg screw connection | Pg9 |

Insulation characteristics

| | |
|----------------------|-----|
| Overvoltage category | III |
| Degree of pollution | 3 |

Dimensions

| | |
|------------------------|--|
| Dimensional drawing |  |
| Length | 60 mm |
| Wrench size, union nut | 16 mm |

External dimensions

| | |
|------------------|---------------|
| Outside diameter | 6 mm ... 8 mm |
|------------------|---------------|

Housing

| | |
|------------------|-------|
| Diameter housing | 20 mm |
|------------------|-------|

Material specifications

| | |
|--|------------------------------|
| Flammability rating according to UL 94 | V0 |
| Seal material | NBR |
| Material of grip body | PA |
| Contact material | CuZn |
| Contact surface material | Au |
| Contact carrier material | PA |
| Material for screw connection | Zinc die-cast, nickel-plated |

Connection data

Conductor connection

| | |
|--------------------------|---|
| Connection method | Screw connection |
| Connection cross section | 0.75 mm ² ... 1.5 mm ² (with ferrule) |

SACC-M12MSS-3PECON-PG 9-M - Power connector



1107268

<https://www.phoenixcontact.com/us/products/1107268>

| | |
|---|--|
| | 0.75 mm ² ... 2.5 mm ² (solid) |
| Connection cross section AWG | 18 ... 16 (with ferrule) |
| Stripping length of the individual wire | 5 mm |
| Tightening torque | 0.4 Nm (M12 knurl) |
| | 0.8 Nm ... 1 Nm (Pressure screw with sleeve housing) |
| | 0.4 Nm (Screw plug insert with sleeve housing as far it will go) |
| | 0.2 Nm (Screw terminal blocks) |

Electrical properties

| | |
|--------------------------------|--|
| Rated surge voltage | 6 kV |
| Contact resistance | ≤ 5 mΩ |
| Insulation resistance | > 10 GΩ |
| Nominal voltage U _N | 630 V AC |
| Nominal current I _N | 12 A (when using 1.5 mm ² conductors) |
| | 12 A (at 40 °C) |

Mechanical properties

Mechanical data

| | |
|-----------------------------|-------|
| Insertion/withdrawal cycles | ≥ 100 |
|-----------------------------|-------|

Connector

Connection 1

| | |
|-------------------|----------|
| Head design | Plug |
| Head cable outlet | straight |
| Head thread type | M12 |
| Coding | S |

Cable/line

| | |
|---|------|
| Stripping length of the individual wire | 5 mm |
|---|------|

Environmental and real-life conditions

Ambient conditions

| | |
|---|----------------------------------|
| Degree of protection | IP67 |
| Ambient temperature (operation) (male connector/female connector) | -40 °C ... 85 °C (Plug / socket) |

Standards and regulations

M12

| | |
|--------------------------|-----------------|
| Standard designation | M12 connector |
| Standards/specifications | IEC 61076-2-111 |

SACC-M12MSS-3PECON-PG 9-M - Power connector

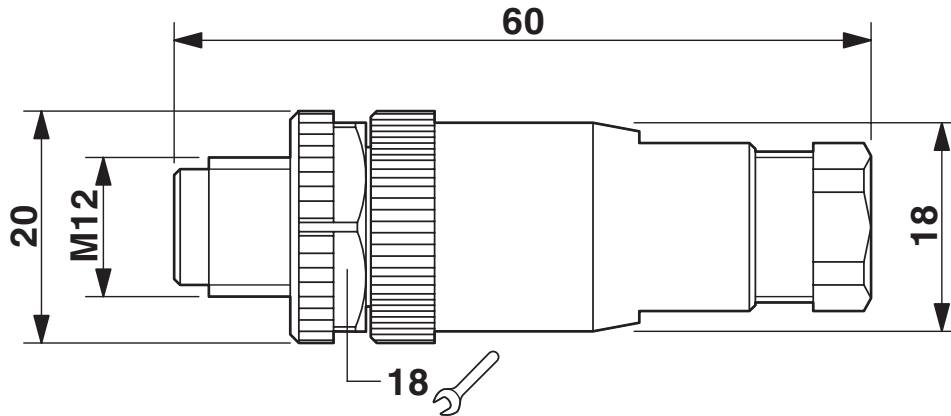


1107268

<https://www.phoenixcontact.com/us/products/1107268>

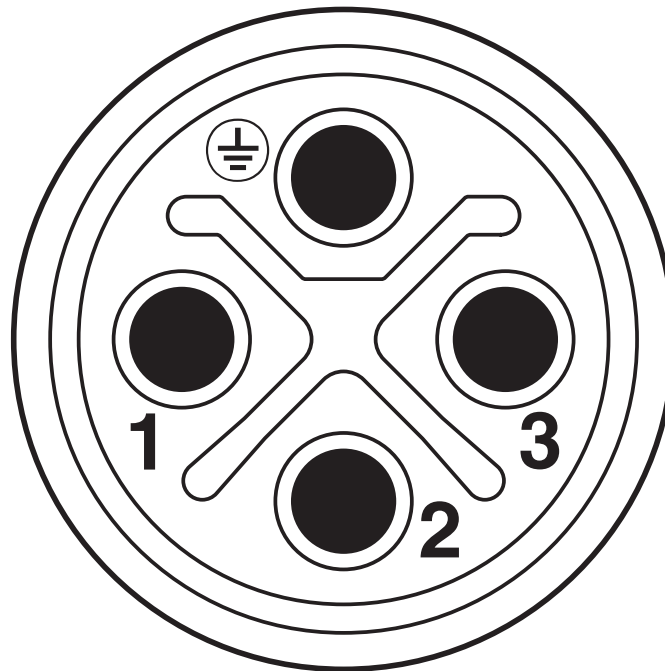
Drawings

Dimensional drawing



Plug, M12 x 1, straight

Schematic diagram



M12 plug pin assignment, 4-pos., S-coded, plug side view

SACC-M12MSS-3PECON-PG 9-M - Power connector





1107268

<https://www.phoenixcontact.com/us/products/1107268>

Approvals

To download certificates, visit the product detail page: <https://www.phoenixcontact.com/us/products/1107268>

|  cUL Recognized Approval ID: FILE E 221474 | | | | |
|---|-----------------------|-----------------------|-------------------|-----------------------------|
| | Nominal voltage U_N | Nominal current I_N | Cross section AWG | Cross section mm^2 |
| keine | | | | |
| | 600 V | 12 A | - 16 | - |

|  UL Recognized Approval ID: FILE E 221474 | | | | |
|--|-----------------------|-----------------------|-------------------|-----------------------------|
| | Nominal voltage U_N | Nominal current I_N | Cross section AWG | Cross section mm^2 |
| keine | | | | |
| | 600 V | 12 A | - 16 | - |

SACC-M12MSS-3PECON-PG 9-M - Power connector



1107268

<https://www.phoenixcontact.com/us/products/1107268>

Classifications

ECLASS

| | |
|-------------|----------|
| ECLASS-13.0 | 27440116 |
| ECLASS-15.0 | 27440116 |

ETIM

| | |
|-----------|----------|
| ETIM 10.0 | EC002635 |
|-----------|----------|

UNSPSC

| | |
|-------------|----------|
| UNSPSC 21.0 | 39121400 |
|-------------|----------|

1107268

<https://www.phoenixcontact.com/us/products/1107268>

Environmental product compliance

EU RoHS

| | |
|---|------|
| Fulfills EU RoHS substance requirements | Yes |
| Exemption | 6(c) |

China RoHS

| | |
|--|---|
| Environment friendly use period (EFUP) | EFUP-50 |
| | An article-related China RoHS declaration table can be found in the download area for the respective article under "Manufacturer declaration". For all articles with EFUP-E, no China RoHS declaration table issued and required. |

EU REACH SVHC

| | |
|-------------------------------------|--------------------------------------|
| REACH candidate substance (CAS No.) | Lead(CAS: 7439-92-1) |
| SCIP | 275b9d43-04d0-489e-ba0a-4a1fde0b14d1 |

EF3.1 Climate Change

| | |
|---------|---------------|
| CO2e kg | 1.184 kg CO2e |
|---------|---------------|

Phoenix Contact 2026 © - all rights reserved
<https://www.phoenixcontact.com>

Phoenix Contact USA
 586 Fulling Mill Road
 Middletown, PA 17057, United States
 (+717) 944-1300
info@phoenixcon.com