

# TTC-6P-4-24DC-I-P - Surge protection plug



1106015

<https://www.phoenixcontact.com/us/products/1106015>

Please be informed that the data shown in this PDF document is generated from our online catalog. Please find the complete data in the user documentation. Our general terms of use for downloads are valid.



Surge protection plug with integrated status indicator on the module for a 4-wire floating signal circuit with a high nominal current. Nominal voltage: 24 V DC

## Your advantages

- Efficient use of space: the narrowest pluggable surge protection solution for 4-conductor applications
- Easy function monitoring: on-site or optionally via remote signaling, with optical monitoring, without additional effort
- Servicing without affecting the signal: replace the surge protection module without affecting the measuring signal
- Flexible choice: Push-in Technology or screw connection



## Commercial data

Item number	1106015
Packing unit	1 pc
Minimum order quantity	1 pc
Sales key	CL02
Product key	CL216Z
GTIN	4055626990569
Weight per piece (including packing)	17.12 g
Weight per piece (excluding packing)	16.62 g
Customs tariff number	85363010
Country of origin	DE

# TTC-6P-4-24DC-I-P - Surge protection plug

1106015

<https://www.phoenixcontact.com/us/products/1106015>

## Technical data

### Product properties

Product type	Replacement plug
Product family	TERMITRAB complete
Type	Male

### Insulation characteristics

Overvoltage category	III
Pollution degree	2

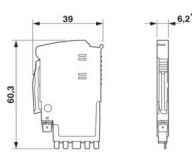
### Electrical properties

Nominal voltage $U_N$	24 V DC
	24 V AC

### Connection data

Connection method	pluggable
-------------------	-----------

### Dimensions

Dimensional drawing	
Width	6.2 mm +0.1 mm
Height	39 mm
Depth	60.3 mm

### Material specifications

Color	light gray (RAL 7035)
Flammability rating according to UL 94	V-0
Insulating material	PBT
Housing material	PBT

### Protective circuit

Direction of action	Line-Line & Line-Earth Ground
Nominal voltage $U_N$	24 V DC
	24 V AC
Maximum continuous operating voltage $U_C$	36 V DC
	30 V AC
Rated current	2.5 A (60°C for insulated systems)
Surge protection fault message	optical

### Environmental and real-life conditions

# TTC-6P-4-24DC-I-P - Surge protection plug



1106015

<https://www.phoenixcontact.com/us/products/1106015>

## Ambient conditions

Degree of protection	IP20
Ambient temperature (operation)	-40 °C ... 85 °C
Ambient temperature (storage/transport)	-40 °C ... 85 °C
Altitude	≤ 4000 m (amsl)
Permissible humidity (operation)	5 % ... 95 %

## Standards and regulations

Standards/specifications	IEC 61643-21
Note	2000 + corrigendum 2001 + A1:2008, modified + A2:2012

### EN 61643-21

Standards/specifications	EN 61643-21
Note	2001 + A1:2009 + A2:2013

## Mounting

Mounting type	on base element
---------------	-----------------

# TTC-6P-4-24DC-I-P - Surge protection plug

1106015

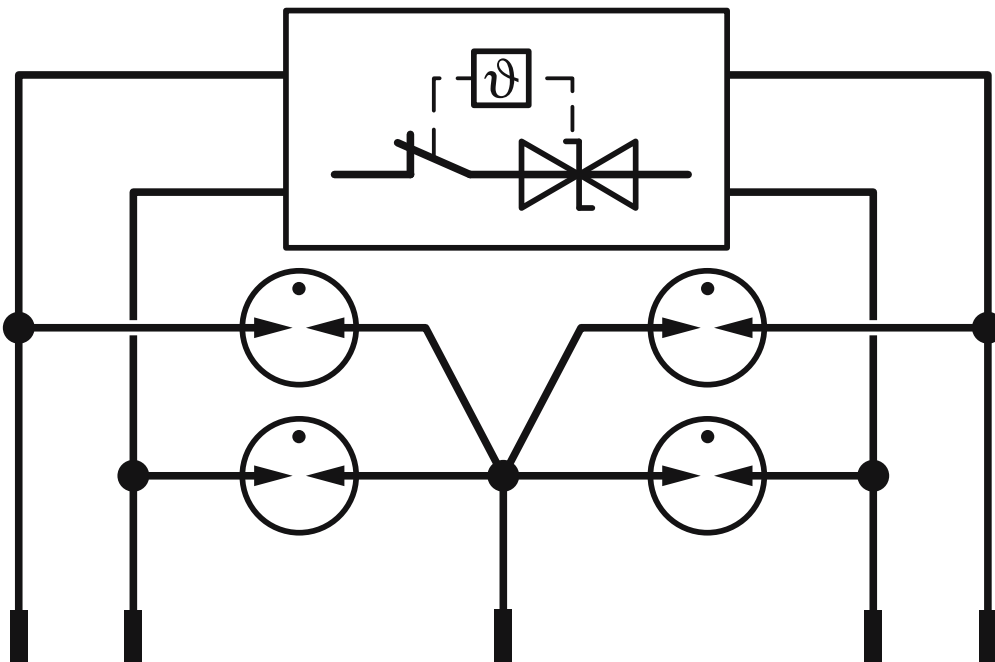
<https://www.phoenixcontact.com/us/products/1106015>

## Drawings

Dimensional drawing



Circuit diagram



# TTC-6P-4-24DC-I-P - Surge protection plug




1106015

<https://www.phoenixcontact.com/us/products/1106015>


## Approvals


To download certificates, visit the product detail page: <https://www.phoenixcontact.com/us/products/1106015>


 **UL Listed**  
Approval ID: FILE E 138168

**UAE-RoHS**  
Approval ID: 22-06-16783

 **UL Listed**  
Approval ID: FILE E 138168

 **cUL Listed**  
Approval ID: FILE E 333250

 **UL Listed**  
Approval ID: FILE E 333250

 **cULus Listed**  
Approval ID: File E 333250

# TTC-6P-4-24DC-I-P - Surge protection plug



1106015

<https://www.phoenixcontact.com/us/products/1106015>

## Classifications

### ECLASS

ECLASS-13.0	27171592
ECLASS-15.0	27171592

### ETIM

ETIM 10.0	EC002497
-----------	----------

### UNSPSC

UNSPSC 21.0	39121600
-------------	----------

# TTC-6P-4-24DC-I-P - Surge protection plug



1106015

<https://www.phoenixcontact.com/us/products/1106015>

## Environmental product compliance

### EU RoHS

Fulfills EU RoHS substance requirements	Yes
Exemption	7(a)

### China RoHS

Environment friendly use period (EFUP)	EFUP-50
	An article-related China RoHS declaration table can be found in the download area for the respective article under "Manufacturer declaration". For all articles with EFUP-E, no China RoHS declaration table issued and required.

### EU REACH SVHC

REACH candidate substance (CAS No.)	Lead(CAS: 7439-92-1)
SCIP	757da08a-0abb-444a-bf4b-bfa26b245432

### EF3.1 Climate Change

CO2e kg	1.047 kg CO2e
---------	---------------

Phoenix Contact 2026 © - all rights reserved  
<https://www.phoenixcontact.com>

Phoenix Contact USA  
586 Fulling Mill Road  
Middletown, PA 17057, United States  
(+717) 944-1300  
[info@phoenixcon.com](mailto:info@phoenixcon.com)