

# NBC-M12MRD/50,0-93C/R4AC - Network cable



1105802

<https://www.phoenixcontact.com/us/products/1105802>

Please be informed that the data shown in this PDF document is generated from our online catalog. Please find the complete data in the user documentation. Our general terms of use for downloads are valid.



Network cable, PROFINET CAT5 (100 Mbps), EtherCAT® CAT5 (100 Mbps), 4-position, PUR halogen-free, green RAL 6018, shielded (Advanced Shielding Technology), Plug angled M12, coding: D / IP67, on Plug straight RJ45 / IP20, cable length: 50 m

## Commercial data

Item number	1105802
Packing unit	1 pc
Minimum order quantity	5 pc
Note	Made to order (non-returnable)
Product key	AF1CJN
GTIN	4055626990330
Weight per piece (including packing)	3,184 g
Weight per piece (excluding packing)	3,184 g
Country of origin	PL

1105802

<https://www.phoenixcontact.com/us/products/1105802>

## Technical data

### Product properties

Product type	Data cable preassembled
Application	Standard
Number of positions	4
Shielded	yes

### Insulation characteristics

Overvoltage category	I
Degree of pollution	2

### Interfaces

Bus system	PROFINET
Signal type/category	PROFINET CAT5 (IEC 11801), 100 Mbps EtherCAT® CAT5 (IEC 11801), 100 Mbps

### Signaling

Status display	no
Status display present	no

### Electrical properties

Nominal voltage $U_N$	48 V AC
	60 V DC
Nominal current $I_N$	1 A
Transmission medium	Copper
Transmission speed	100 Mbps
Transmission characteristics (category)	CAT5 (IEC 11801:2002)

### Material specifications

Flammability rating according to UL 94	V2
--	----

### Connector

#### Connection 1

Type	Plug angled M12 / IP67
Number of positions	4
Coding type	D (Data)
Handle color	black
Material	CuSn (Contact)
	Ni/Au (Contact surface)
	PA (Contact carrier)
	TPU, hardly inflammable, self-extinguishing (Grip body)
	Zinc die-cast, nickel-plated (Screw connection)
	FKM (Seal)

# NBC-M12MRD/50,0-93C/R4AC - Network cable



1105802

<https://www.phoenixcontact.com/us/products/1105802>

Insertion/withdrawal cycles	≥ 100
Insulation resistance	≥ 100 MΩ
Tightening torque	0.4 Nm
Degree of protection	IP67
Ambient temperature (operation)	-25 °C ... 90 °C


## Connection 2

Type	Plug straight RJ45 / IP20
Number of positions	4
Handle color	black
Material	CuSn (Contact) Ni/Au (Contact surface) PA (Contact carrier) PA (Housing)
Insertion/withdrawal cycles	≥ 750
Insulation resistance	≥ 100 MΩ
Degree of protection	IP20
Ambient temperature (operation)	-25 °C ... 80 °C

## Cable/line

Cable length	50 m
--------------	------

## PROFINET drag chain CAT5 [93C]

Dimensional drawing	
UL AWM Style	20233 (80°C/300 V)
Number of positions	4
Shielded	yes
Cable type	PROFINET drag chain CAT5 [93C]
Conductor structure	1x4xAWG22/7, SF/TQ
AWG signal line	22
Conductor cross-section	4x 0.34 mm <sup>2</sup>
Wire diameter incl. insulation	1.5 mm ±0.05 mm
External cable diameter	6.50 mm ±0.2 mm
Outer sheath, material	PUR
External sheath, color	green RAL 6018
Conductor material	Tin-plated Cu litz wires
Material wire insulation	PE
Single wire, color	white, yellow, blue, orange

# NBC-M12MRD/50,0-93C/R4AC - Network cable



1105802

<https://www.phoenixcontact.com/us/products/1105802>

Overall twist	Star quad
Optical shield covering	85 %
Insulation resistance	≥ 500 MΩ*km
Loop resistance	≤ 120.00 Ω/km
Wave impedance	100 Ω ±15 Ω (at 1 ... 100 MHz)
Nominal voltage, cable	≤ 300 V
Test voltage Core/Core	2000 V (50 Hz, 1 min.)
Test voltage Core/Shield	2000.00 V (50 Hz, 1 min.)
Minimum bending radius, fixed installation	5 x D
Minimum bending radius, flexible installation	7.5 x D
Dynamic load capacity (bending)	Max. bending cycles: 3000000, Bending radius: 200 mm, Traversing path: 10 m, Traversing rate: 4 m/s, Acceleration: 4 m/s <sup>2</sup>
Dynamic load capacity (torsion)	Torsion: ±30 °/m
Halogen-free	according to IEC 60754-1
Flame resistance	according to IEC 60332-1-2
	in accordance with UN ECE-R 118.03
	according to CSA C 22.2 No. 210-FT1
Resistance to oil	in accordance with DIN EN 60811-404
Other resistance	UV resistant
Special properties	Flexible cable conduit capable
Ambient temperature (operation)	-40 °C ... 70 °C (cable, fixed installation)
	-40 °C ... 70 °C (Cable, flexible installation)

## Environmental and real-life conditions

### Ambient conditions

Degree of protection	IP65
	IP67
	IP20

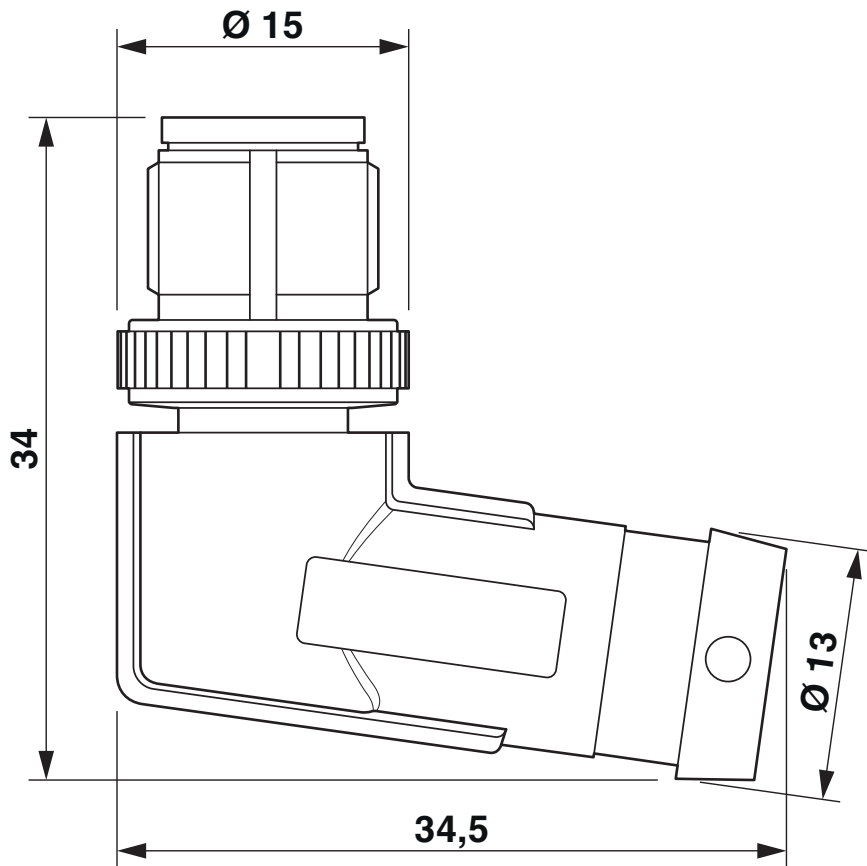
## Standards and regulations

### M12

Standard designation	M12 connector
Standards/specifications	IEC 61076-2-101

Drawings

Dimensional drawing



M12 x 1 male plug, angled, shielded

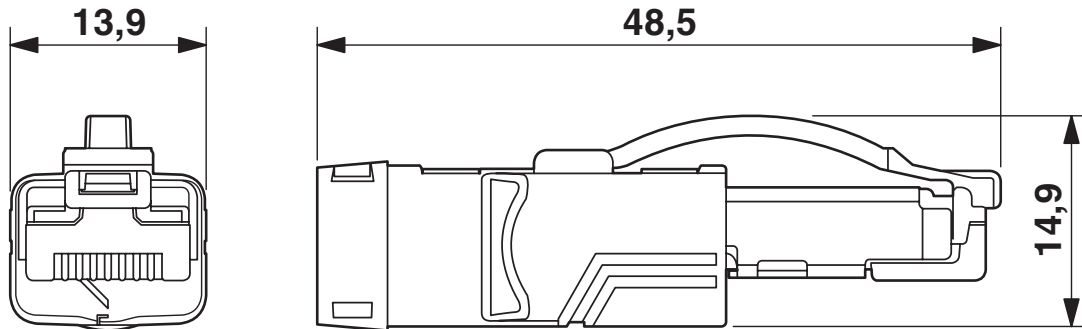
# NBC-M12MRD/50,0-93C/R4AC - Network cable



1105802

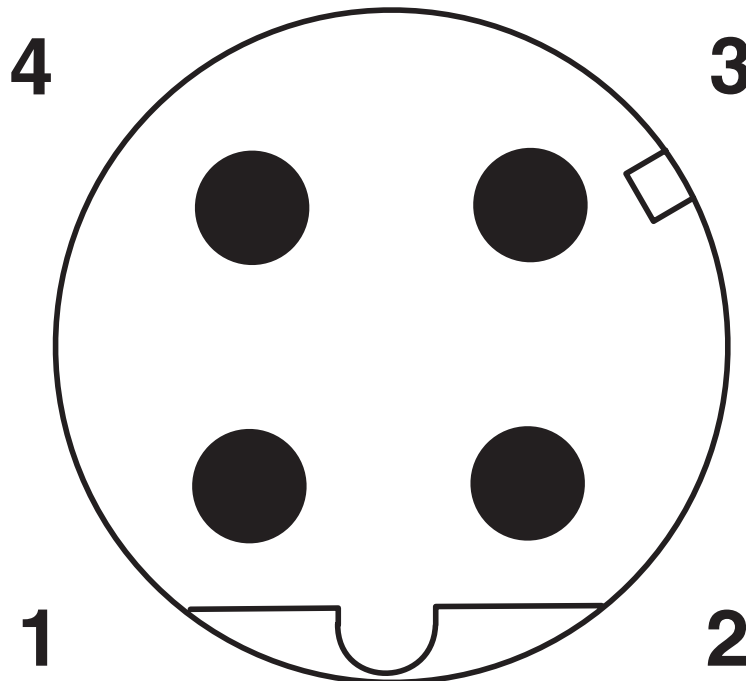
<https://www.phoenixcontact.com/us/products/1105802>

Dimensional drawing



RJ45 connector, IP20

Schematic diagram



Pin assignment M12 male connector, 4-pos., D-coded, male side

Schematic diagram



Connector pin assignment plug RJ45

# NBC-M12MRD/50,0-93C/R4AC - Network cable



1105802

<https://www.phoenixcontact.com/us/products/1105802>

Circuit diagram



Contact assignment of the M12 and RJ45 plug

# NBC-M12MRD/50,0-93C/R4AC - Network cable



1105802

<https://www.phoenixcontact.com/us/products/1105802>

## Approvals

To download certificates, visit the product detail page: <https://www.phoenixcontact.com/us/products/1105802>

 <b>UL Listed</b> Approval ID: File E335024				
	Nominal voltage $U_N$	Nominal current $I_N$	Cross section AWG	Cross section $\text{mm}^2$
keine				
	60 V	0.5 A	-	-

 <b>cUL Listed</b> Approval ID: File E335024				
	Nominal voltage $U_N$	Nominal current $I_N$	Cross section AWG	Cross section $\text{mm}^2$
keine				
	60 V	0.5 A	-	-

# NBC-M12MRD/50,0-93C/R4AC - Network cable



1105802

<https://www.phoenixcontact.com/us/products/1105802>

## Classifications

### ECLASS

ECLASS-13.0	27060307
ECLASS-15.0	27060307

### ETIM

ETIM 10.0	EC001855
-----------	----------

### UNSPSC

UNSPSC 21.0	26121600
-------------	----------

# NBC-M12MRD/50,0-93C/R4AC - Network cable



1105802

<https://www.phoenixcontact.com/us/products/1105802>

## Environmental product compliance

### EU RoHS

Fulfills EU RoHS substance requirements	Yes, No exemptions
---	--------------------

### China RoHS

Environment friendly use period (EFUP)	EFUP-E
	No hazardous substances above the limits

### EU REACH SVHC

REACH candidate substance (CAS No.)	No substance above 0.1 wt%
-------------------------------------	----------------------------

Phoenix Contact 2026 © - all rights reserved  
<https://www.phoenixcontact.com>

Phoenix Contact USA  
586 Fulling Mill Road  
Middletown, PA 17057, United States  
(+717) 944-1300  
[info@phoenixcon.com](mailto:info@phoenixcon.com)