

BL2 BPC 1100 - Box PC



1105772

<https://www.phoenixcontact.com/us/products/1105772>

Please be informed that the data shown in this PDF document is generated from our online catalog. Please find the complete data in the user documentation. Our general terms of use for downloads are valid.

IP20-rated fanless industrial box PC (BPC) with energy-efficient Intel® Celeron® processor N3350 with 4 GB of RAM and M.2 mass storage.



Commercial data

| | |
|--------------------------------------|--------------------------------|
| Item number | 1105772 |
| Packing unit | 1 pc |
| Minimum order quantity | 1 pc |
| Note | Made to order (non-returnable) |
| Sales key | DR20 |
| Product key | DRBABA |
| Weight per piece (including packing) | 1,633.6 g |
| Weight per piece (excluding packing) | 1,600 g |
| Customs tariff number | 84715000 |
| Country of origin | TW |

Technical data

Notes

Note on application

| | |
|---------------------|-------------------------|
| Note on application | Only for industrial use |
|---------------------|-------------------------|

Product properties

| | |
|--------------|--------|
| Product type | Box PC |
|--------------|--------|

Computer data

| | |
|---------------------|---|
| Processor | Intel® Celeron® N3350 1.10/2.4 GHz |
| Operating system | Windows® 10 IoT Enterprise LTSC 2019 (64-bit), Multi-language without operating system |
| RAM | 4 GB DDR3 |
| Data storage system | M.2 SSD |
| Cooling | passive |

System properties

| | |
|---------------|--------------------------------|
| User software | without user software Visu+ |
|---------------|--------------------------------|

Electrical properties

| | |
|-------------------------|-------------------|
| Service life of battery | 5 years (typical) |
|-------------------------|-------------------|

Supply

| | |
|-------------------|---------------|
| Power supply unit | 24 V DC ±20 % |
|-------------------|---------------|

Real-time clock

| | |
|----------------|----------------------|
| Realtime clock | Yes (battery-backed) |
|----------------|----------------------|

Interfaces

| | |
|----------------|--------------------------------------|
| Interfaces | 1x COM (RS-232/422/485) |
| | 2x COM (RS-232) |
| | 2x USB 2.0 |
| | 2x USB 3.0 |
| Monitor output | 2x DisplayPort |
| Network | 2x Ethernet (10/100/1000 Mbps), RJ45 |
| LAN chipset | Intel® I210-AT |

Dimensions

External dimensions

| | |
|------------------------|-------------------------|
| Width / Height / Depth | 185 mm / 131 mm / 54 mm |
|------------------------|-------------------------|

Installation dimensions

| | |
|-------------------------------------|------------------|
| Width / Height / Installation depth | 194 mm / 94 mm / |
|-------------------------------------|------------------|

Environmental and real-life conditions

Ambient conditions

| | |
|--|--|
| Degree of protection | IP20 |
| Ambient temperature (operation) | 0 °C ... 50 °C |
| Ambient temperature (storage/transport) | -20 °C ... 75 °C |
| Permissible humidity (operation) | 10 % ... 90 % (non-condensing) |
| Permissible humidity (storage/transport) | 10 % ... 90 % (non-condensing) |
| Shock | 20g, 11 ms in accordance with IEC 60068-2-27 |
| Vibration (operation) | 2g _{rms} at sine, 5~500 Hz, 1 h/axis (panel mounting; SSD operating) according to EN 60068-2-6 0.5g _{rms} at sine, 5~500 Hz, 1 h/axis (panel mounting; HDD operating) according to EN 60068-2-6 |

Mounting

| | |
|---------------|-------------------|
| Mounting type | Panel mounting |
| | DIN rail mounting |

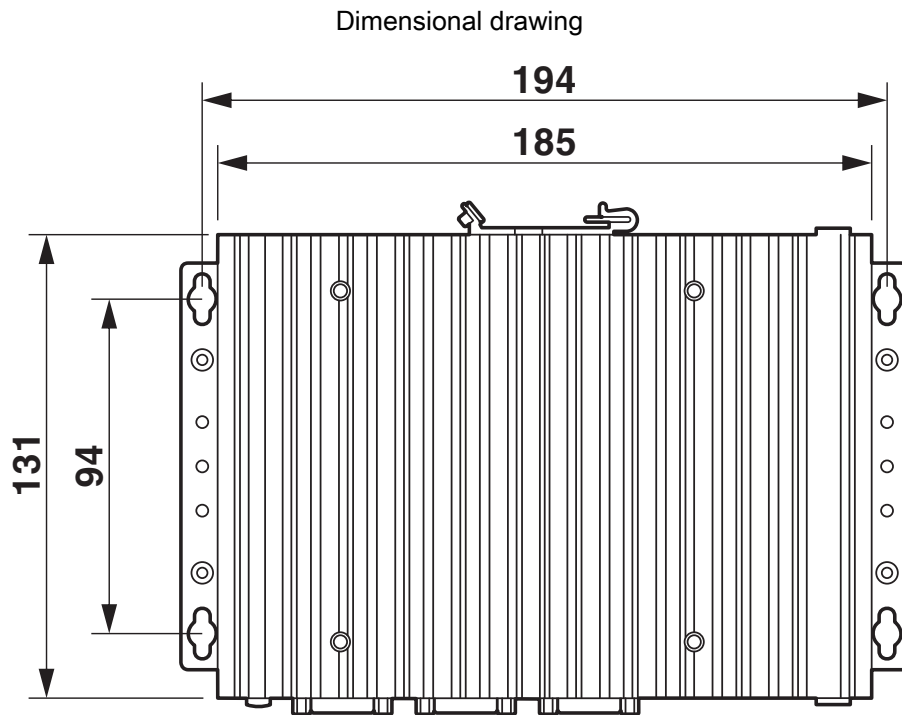
BL2 BPC 1100 - Box PC

1105772

<https://www.phoenixcontact.com/us/products/1105772>



Drawings



BL2 BPC 1100 - Box PC



1105772

<https://www.phoenixcontact.com/us/products/1105772>

Classifications

ECLASS

ECLASS-13.0

19200102

ETIM

ETIM 9.0

EC001413

UNSPSC

UNSPSC 21.0

43211500

Environmental product compliance

EU RoHS

| | |
|---|--------------|
| Fulfills EU RoHS substance requirements | Yes |
| Exemption | 7(a), 7(c)-I |

China RoHS

| | |
|--|---|
| Environment friendly use period (EFUP) | EFUP-10 |
| | An article-related China RoHS declaration table can be found in the download area for the respective article under "Manufacturer declaration". For all articles with EFUP-E, no China RoHS declaration table issued and required. |

EU REACH SVHC

| | |
|-------------------------------------|---|
| REACH candidate substance (CAS No.) | 1-Methyl-2-pyrrolidone (NMP)(CAS: 872-50-4) |
| | Lead(CAS: 7439-92-1) |
| | 2-methyl-1-(4-methylthiophenyl)-2-morpholinopropan-1-one(CAS: 71868-10-5) |