

GW PN/MODBUS 1E/2DB9 - Interface converters



1105708

<https://www.phoenixcontact.com/us/products/1105708>

Please be informed that the data shown in this PDF document is generated from our online catalog. Please find the complete data in the user documentation. Our general terms of use for downloads are valid.



The GW PN/MODBUS... enables two-way communication between PROFINET and Modbus protocols. Includes one RJ45 port and two D-SUB 9 ports.



Commercial data

Item number	1105708
Packing unit	1 pc
Minimum order quantity	1 pc
Sales key	DN09
Product key	DNC323
GTIN	4055626989846
Weight per piece (including packing)	185.2 g
Weight per piece (excluding packing)	125 g
Customs tariff number	85176200
Country of origin	US

Technical data

Notes

Note on application

Note on application	Only for industrial use
---------------------	-------------------------

Utilization restriction

EMC note	EMC: class A product, see manufacturer's declaration in the download area
----------	---

Utilization restriction

CCCEX note	Use in potentially explosive areas is not permitted in China.
------------	---

Product properties

Product type	Interface converter
MTBF	69.4 Years (Telcordia standard, 25°C temperature, 50% stress, Environmental Factor = 1.0)
	46.3 Years (Telcordia standard, 40°C temperature, 50% stress, environmental factor = 1.0)

System properties

Modbus/TCP-Client

Number of Modbus/TCP clients	96
------------------------------	----

Electrical properties

Electrical isolation	IEC UL 61010-1 (VCC // Ethernet)
Maximum power dissipation for nominal condition	2.04 W (at 24 V DC)
Test voltage data interface/data interface	1.5 kV _{rms} (50 Hz, 1 min.)
Test voltage data interface/power supply	1.5 kV _{rms} (50 Hz, 1 min.)
	1.5 kV _{rms}

Supply

Supply voltage range	10.8 V DC ... 30 V DC (via pluggable COMBICON screw terminal block)
Typical current consumption	76 mA (24 V DC)
Max. current consumption	85 mA (24 V DC)

Function

Management	Web-based management
Status and diagnostic indicators	LEDs: Status, ACT/LNK (Ethernet data traffic)

Connection data

Supply

Conductor cross-section, flexible	0.20 mm ² ... 2.50 mm ²
Conductor cross-section AWG	24 ... 12

GW PN/MODBUS 1E/2DB9 - Interface converters



1105708

<https://www.phoenixcontact.com/us/products/1105708>

Tightening torque	0.5 Nm ... 0.6 Nm
-------------------	-------------------

Interfaces

Signal	Ethernet
	PROFINET
	Modbus
Web server	yes

Data: PROFINET, MODBUS TCP

Serial transmission speed	10/100 Mbps, auto negotiation
Connection method	RJ45 jack, shielded
No. of channels	1
Transmission length	≤ 100 m (shielded twisted pair)
Protocols supported	PROFINET, Modbus ASCII/RTU/TCP
Auxiliary protocols	ARP, DHCP (Client), PING

Data: RS-232

Serial transmission speed	0.3; 0.6; 1.2; 2.4; 4.8; 9.6; 19.2; 38.4; 57.6; 115.2; 230.4 Kbps
Number of connections	2
Connection method	D-SUB 9 plug
Pin assignment	DTE
Transmission length	15 m
File format/coding	5/6/7/8 Data bits, 1/2 Stop bits, None/Even/Odd/Mark/Space Parity
Data flow control/protocols	Software handshake, Xon/Xoff or hardware handshake RTS/CTS

Data: RS-422

Serial transmission speed	0.3; 0.6; 1.2; 2.4; 4.8; 9.6; 19.2; 38.4; 57.6; 115.2; 230.4 Kbps
Number of connections	2
Connection method	D-SUB 9 plug
Pin assignment	2, 3, 5, 7, 8
Transmission length	≤ 1200 m
Termination resistor	120 Ω (configurable)
File format/coding	5/6/7/8 Data bits, 1/2 Stop bits, None/Even/Odd/Mark/Space Parity

Data: RS-485

Serial transmission speed	0.3; 0.6; 1.2; 2.4; 4.8; 9.6; 19.2; 38.4; 57.6; 115.2; 230.4 Kbps
Number of connections	2
Connection method	D-SUB 9 plug
Pin assignment	3, 5, 7
Termination resistor	120 Ω (configurable)
File format/coding	5/6/7/8 Data bits, 1/2 Stop bits, None/Even/Odd/Mark/Space Parity

Dimensions

Width	22.5 mm
-------	---------

GW PN/MODBUS 1E/2DB9 - Interface converters



1105708

<https://www.phoenixcontact.com/us/products/1105708>

Height	99 mm
Depth	115 mm

Material specifications

Color (Housing)	light gray (RAL 7035)
Housing material	PA 6.6

Mechanical tests

Vibration resistance in accordance with EN 60068-2-6/IEC 60068-2-6	:
Shock in accordance with EN 60068-2-27/IEC 60068-2-27	:

Environmental and real-life conditions

Ambient conditions

Degree of protection	IP20
Ambient temperature (operation)	-40 °C ... 70 °C
Ambient temperature (storage/transport)	-40 °C ... 80 °C
Altitude	< 2000 m
Permissible humidity (operation)	10 % ... 95 % (non-condensing)
Permissible humidity (storage/transport)	5 % ... 95 % (non-condensing)

Approvals

Conformity/Approvals

Conformance	CE-compliant
UL, USA	UL 61010-1
UL, USA / Canada	Class I, Div. 2, Groups A, B, C, D T4A
Noxious gas test	ISA-S71.04-1985 G3 Harsh Group A

Ex data

ATEX	DEMKO 18ATEX 2026X: II 3 G Ex ec IIC T4 Gc
IECEX	IECEX UL 18.0023X Ex ec IIC T4 Gc

EMC data

Electromagnetic compatibility	Conformance with EMC Directive 2014/30/EU
Noise immunity	EN 61000-6-2:2005

Noise emission

Standards/regulations	EN 61000-6-4
-----------------------	--------------

Standards and regulations

Standards/regulations	EN 55022, EN 55024
-----------------------	--------------------

Mounting

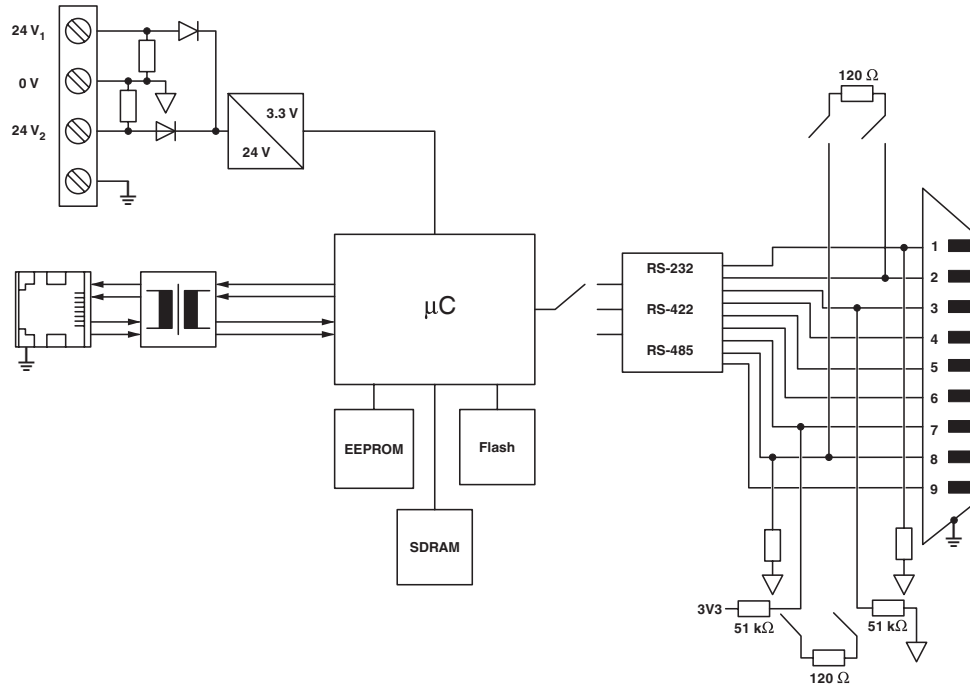
Mounting type	DIN rail mounting
---------------	-------------------

1105708

<https://www.phoenixcontact.com/us/products/1105708>

Drawings

Block diagram





1105708


<https://www.phoenixcontact.com/us/products/1105708>

Approvals


To download certificates, visit the product detail page: <https://www.phoenixcontact.com/us/products/1105708>


 **UL Listed**
Approval ID: E238705

 **cUL Listed**
Approval ID: E238705

 **IECEX**
Approval ID: IECEX UL 18.0023X

 **cUL Listed**
Approval ID: E196811

 **UL Listed**
Approval ID: E196811

 **ATEX**
Approval ID: DEMKO 18 ATEX 2026X

GW PN/MODBUS 1E/2DB9 - Interface converters



1105708

<https://www.phoenixcontact.com/us/products/1105708>

Classifications

ECLASS

ECLASS-13.0	27242208
ECLASS-15.0	27242208

UNSPSC

UNSPSC 21.0	43222600
-------------	----------

GW PN/MODBUS 1E/2DB9 - Interface converters



1105708

<https://www.phoenixcontact.com/us/products/1105708>

Environmental product compliance

EU RoHS

Fulfills EU RoHS substance requirements	Yes, No exemptions
---	--------------------

China RoHS

Environment friendly use period (EFUP)	EFUP-E
	No hazardous substances above the limits

EU REACH SVHC

REACH candidate substance (CAS No.)	No substance above 0.1 wt%
-------------------------------------	----------------------------

Phoenix Contact 2026 © - all rights reserved
<https://www.phoenixcontact.com>

Phoenix Contact USA
586 Fulling Mill Road
Middletown, PA 17057, United States
(+717) 944-1300
info@phoenixcon.com