

# CA-12P1N8A6L00/VPE250 - Device connector front mounting

1105531

<https://www.phoenixcontact.com/us/products/1105531>

Please be informed that the data shown in this PDF document is generated from our online catalog. Please find the complete data in the user documentation. Our general terms of use for downloads are valid.



The figure shows the product version with solder contacts

M23, Device connector front mounting, application: Signal, series: CA, straight, shielded: yes, for standard and SPEEDCON interlock, No. of pos.: 12, Direction of rotation: Standard, contact connection type: Pin, Crimp connection, Axial seal, coding: N. This product is in the process of being discontinued. This product must no longer be considered for new projects. Please contact your sales representative for alternatives.

## Your advantages

- Safe use in the field, thanks to high degree of protection
- Connector for flexible on-site assembly
- Consistent EMC protection for reliable transmission of signals
- Crimping connection: vibration- and temperature-resistant assembly

## Commercial data

|                                      |               |
|--------------------------------------|---------------|
| Item number                          | 1105531       |
| Packing unit                         | 250 pc        |
| Minimum order quantity               | 250 pc        |
| Product key                          | ABRAEL        |
| GTIN                                 | 4055626988016 |
| Weight per piece (including packing) | 35.2 g        |
| Weight per piece (excluding packing) | 28.929 g      |
| Country of origin                    | DE            |

# CA-12P1N8A6L00/VPE250 - Device connector front mounting



1105531

<https://www.phoenixcontact.com/us/products/1105531>

## Technical data

### Notes

|                    |                                           |
|--------------------|-------------------------------------------|
| Order information: | Order 12 x 1 mm crimp contacts separately |
|--------------------|-------------------------------------------|

### Product properties

|              |                                   |
|--------------|-----------------------------------|
| Product type | Circular connectors (device side) |
|--------------|-----------------------------------|

### Material specifications

|                                        |    |
|----------------------------------------|----|
| Flammability rating according to UL 94 | V0 |
|----------------------------------------|----|

### Connector

#### Insulating body

|                                                 |                                                           |
|-------------------------------------------------|-----------------------------------------------------------|
| Note                                            | Order information: Order crimp contacts Ø 1 mm separately |
| Coding                                          | N                                                         |
| Material (Insulating body)                      | PA 6.6                                                    |
| Connection method                               | Crimp connection                                          |
| Contact switching type                          | Pin                                                       |
| Application                                     | Signal                                                    |
| Number of positions                             | 12                                                        |
| Direction of rotation                           | Standard                                                  |
| Connection profile                              | 12                                                        |
| Number (Signal contacts)                        | 12                                                        |
| Contact diameter (Signal contacts)              | 1 mm                                                      |
| Litz wires Min. cross section (Signal contacts) | 0.08 mm <sup>2</sup>                                      |
| Litz wires Max. cross section (Signal contacts) | 1 mm <sup>2</sup>                                         |
| Rated current Contact (Signal contacts)         | 8 A (for max. connection cross section)                   |
| Rated voltage Contact (Signal contacts)         | 48 V AC<br>74 V DC                                        |
| Rated surge voltage                             | 1.5 kV                                                    |
| Overvoltage category                            | III                                                       |
| Degree of pollution                             | 3                                                         |

#### Housing

|                                   |                                                                      |
|-----------------------------------|----------------------------------------------------------------------|
| Thread type                       | M23                                                                  |
| Design                            | straight                                                             |
| Type of locking                   | for standard and SPEEDCON interlock                                  |
| Pg screw connection               | none                                                                 |
| Mounting type                     | Front mounting (M20 x 1,5)                                           |
| Assembly note                     | Central fastening                                                    |
| Housing material                  | Turned parts: copper zinc alloy (CuZn), die-cast parts: zinc (GD-Zn) |
| Degree of protection (plugged in) | IP67                                                                 |
| Seal for the device               | Axial seal                                                           |

# CA-12P1N8A6L00/VPE250 - Device connector front mounting



1105531

<https://www.phoenixcontact.com/us/products/1105531>

## Environmental and real-life conditions

### Ambient conditions

|                                          |
|------------------------------------------|
| Permissible humidity (storage/transport) |
|------------------------------------------|

|               |
|---------------|
| 50 % ... 65 % |
|---------------|

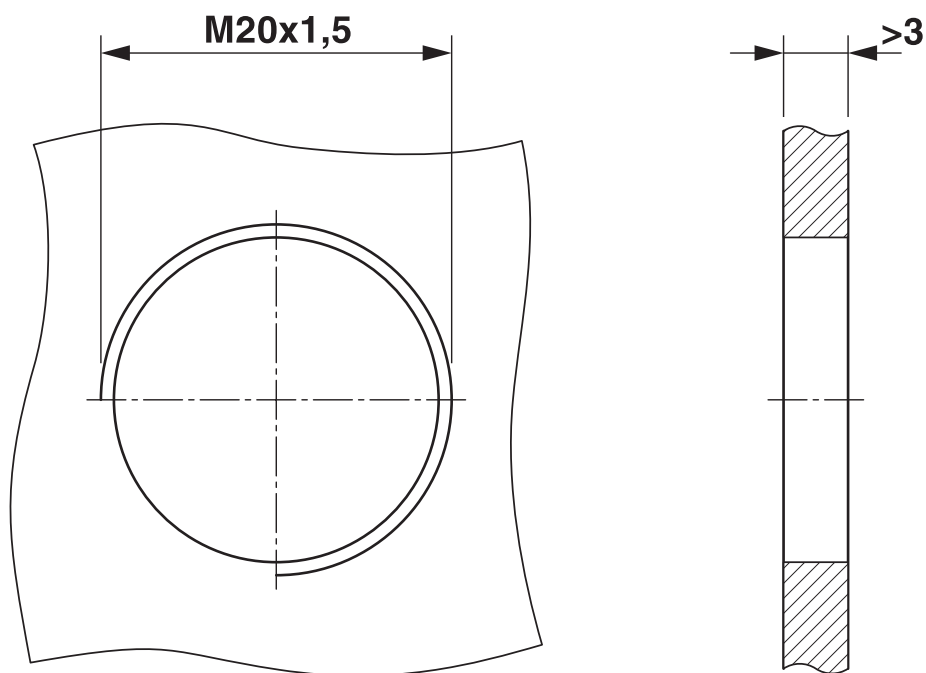
# CA-12P1N8A6L00/VPE250 - Device connector front mounting

1105531

<https://www.phoenixcontact.com/us/products/1105531>

## Drawings

Dimensional drawing



Installation dimensions

# CA-12P1N8A6L00/VPE250 - Device connector front mounting

1105531

<https://www.phoenixcontact.com/us/products/1105531>

Schematic diagram



Connector pin assignment

# CA-12P1N8A6L00/VPE250 - Device connector front mounting





1105531

<https://www.phoenixcontact.com/us/products/1105531>

## Approvals

To download certificates, visit the product detail page: <https://www.phoenixcontact.com/us/products/1105531>

|  <b>cUL Recognized</b><br>Approval ID: E335019-20141210 |                       |                       |                   |                             |
|------------------------------------------------------------------------------------------------------------------------------------------|-----------------------|-----------------------|-------------------|-----------------------------|
|                                                                                                                                          | Nominal voltage $U_N$ | Nominal current $I_N$ | Cross section AWG | Cross section $\text{mm}^2$ |
| keine                                                                                                                                    |                       |                       |                   |                             |
|                                                                                                                                          | 48 V                  | 4 A                   | 20                | -                           |

|  <b>UL Recognized</b><br>Approval ID: E335019-20141210 |                       |                       |                   |                             |
|-----------------------------------------------------------------------------------------------------------------------------------------|-----------------------|-----------------------|-------------------|-----------------------------|
|                                                                                                                                         | Nominal voltage $U_N$ | Nominal current $I_N$ | Cross section AWG | Cross section $\text{mm}^2$ |
| keine                                                                                                                                   |                       |                       |                   |                             |
|                                                                                                                                         | 48 V                  | 6 A                   | 20                | -                           |

# CA-12P1N8A6L00/VPE250 - Device connector front mounting



1105531

<https://www.phoenixcontact.com/us/products/1105531>

## Classifications

### ECLASS

|             |          |
|-------------|----------|
| ECLASS-13.0 | 27440109 |
| ECLASS-15.0 | 27440109 |

### ETIM

|           |          |
|-----------|----------|
| ETIM 10.0 | EC003569 |
|-----------|----------|

### UNSPSC

|             |          |
|-------------|----------|
| UNSPSC 21.0 | 39121400 |
|-------------|----------|

# CA-12P1N8A6L00/VPE250 - Device connector front mounting



1105531

<https://www.phoenixcontact.com/us/products/1105531>

## Environmental product compliance

### EU RoHS

|                                         |      |
|-----------------------------------------|------|
| Fulfills EU RoHS substance requirements | Yes  |
| Exemption                               | 6(c) |

### China RoHS

|                                        |                                                                                                                                                                                                                                   |
|----------------------------------------|-----------------------------------------------------------------------------------------------------------------------------------------------------------------------------------------------------------------------------------|
| Environment friendly use period (EFUP) | EFUP-50                                                                                                                                                                                                                           |
|                                        | An article-related China RoHS declaration table can be found in the download area for the respective article under "Manufacturer declaration". For all articles with EFUP-E, no China RoHS declaration table issued and required. |

### EU REACH SVHC

|                                     |                                      |
|-------------------------------------|--------------------------------------|
| REACH candidate substance (CAS No.) | Lead(CAS: 7439-92-1)                 |
| SCIP                                | cd929ad3-91ca-4e18-b7bf-ddbe3ef35928 |

Phoenix Contact 2026 © - all rights reserved

<https://www.phoenixcontact.com>

Phoenix Contact USA  
586 Fulling Mill Road  
Middletown, PA 17057, United States  
(+717) 944-1300  
[info@phoenixcon.com](mailto:info@phoenixcon.com)