

PSR-M-GW-ETH-PI - Data interface



1105107

<https://www.phoenixcontact.com/us/products/1105107>

Please be informed that the data shown in this PDF document is generated from our online catalog. Please find the complete data in the user documentation. Our general terms of use for downloads are valid.



Gateway for connecting a PSR-M base module to a higher-level controller, EtherNet/IP™, TBUS interface, plug-in Push-in terminal block, TBUS connector included

Product description

The configurable and individually scalable PSRmodular safety system is a flexible safety solution for monitoring your machine or system. PSRmodular gateways connect a PSR-M basic module to a higher-level controller. The gateway is designed for use with EtherNet/IP™.

Your advantages

- Cost-effective safety solution with a high level of adaptability to individual requirements
- Fast startup, thanks to easy hardware and software configuration
- Machine downtimes minimized with comprehensive, easy-to-understand diagnostics
- Low housing width of just 22.6 mm
- Tool-free and time-saving installation thanks to Push-in technology



Commercial data

| | |
|--------------------------------------|---------------|
| Item number | 1105107 |
| Packing unit | 1 pc |
| Minimum order quantity | 1 pc |
| Sales key | DN02 |
| Product key | DNA365 |
| GTIN | 4055626975504 |
| Weight per piece (including packing) | 167.1 g |
| Weight per piece (excluding packing) | 125 g |

PSR-M-GW-ETH-PI - Data interface



1105107

<https://www.phoenixcontact.com/us/products/1105107>

| | |
|-----------------------|----------|
| Customs tariff number | 85176200 |
| Country of origin | IT |

1105107

<https://www.phoenixcontact.com/us/products/1105107>

Technical data

Notes

Note on application

| | |
|---------------------|-------------------------|
| Note on application | Only for industrial use |
|---------------------|-------------------------|

Product properties

| | |
|--------------|------------------|
| Product type | Gateways/Proxies |
|--------------|------------------|

Insulation characteristics

| | |
|------------------|----------------|
| Protection class | III (EN 50178) |
|------------------|----------------|

Insulation characteristics

| | |
|----------------------|----|
| Overvoltage category | II |
| Degree of pollution | 2 |

Electrical properties

| | |
|-------------------------------------------------|-------------------------------------------------------------------------|
| Maximum power dissipation for nominal condition | 1.92 W |
| Nominal operating mode | 100% operating factor |
| Interfaces | DIN rail TBUS for connection to the master module, supplied as standard |
| Rated surge voltage/insulation | Basic insulation 4 kV |

Supply

| | |
|--------------------------------------------|----------------------------------------------------------|
| Designation | A1/A2 |
| Rated control circuit supply voltage U_S | 19.2 V DC ... 28.8 V DC |
| Rated control circuit supply voltage U_S | 24 V DC -20 % / +20 % (external fuse, typically 4 A) |
| Rated control supply current I_S | typ. 60 mA (without network connection) |
| | typ. 70 mA (1 network connection) |
| | typ. 80 mA (2 network connections) |
| Power consumption at U_S | typ. 1.68 W (1 network connection) |
| | typ. 1.92 W (2 network connections) |
| Inrush current | < 2.2 A ($\Delta t = 1$ ms at U_S) |
| Filter time | typ. 5 ms (at A1 in the event of voltage dips at U_S) |
| Protective circuit | Serial protection against polarity reversal |
| | Suppressor diode |

Connection data

| | |
|-------------------|--------------------|
| Connection method | Push-in connection |
| Stripping length | 10 mm |

Interfaces

Data: Network interface

| | |
|------------------------|--------------|
| Communication protocol | EtherNet/IP™ |
|------------------------|--------------|

PSR-M-GW-ETH-PI - Data interface



1105107

<https://www.phoenixcontact.com/us/products/1105107>

| | |
|-----------------------|-----------|
| Connection method | RJ45 jack |
| Number of connections | 2 |
| Transmission speed | 100 Mbps |

Data: Service interface

| | |
|-----------------------|------------------|
| Connection method | USB 2.0 Hi-Speed |
| Number of connections | 1 |
| Maximum cable length | 3 m |

Signaling

| | |
|---------------------------|---------------------------------------|
| Status display | 1 x LED (green), 2 x LED (green, red) |
| Operating voltage display | 1 x LED (green) |
| Error indication | 2 x LED (red) |

Dimensions

| | |
|--------|-----------|
| Width | 22.61 mm |
| Height | 107.74 mm |
| Depth | 113.6 mm |

Material specifications

| | |
|------------------|-----------------------------|
| Color (Housing) | gray (RAL 7042) |
| Housing material | Polyamide PA non-reinforced |

Environmental and real-life conditions

Ambient conditions

| | |
|------------------------------------------------|------------------------------------------------------------------------------------|
| Degree of protection | IP20 |
| Min. degree of protection of inst. location | IP54 |
| Ambient temperature (operation) | -10 °C ... 55 °C (observe derating) |
| Ambient temperature (storage/transport) | -20 °C ... 85 °C |
| Maximum altitude | ≤ 2000 m (Above sea level) |
| Max. permissible humidity (storage/transport) | 95 % (non-condensing) |
| Max. permissible relative humidity (operation) | 95 % (non-condensing) |
| Shock | 10g for $\Delta t = 16$ ms (continuous shock, 1000 shocks in each space direction) |
| Vibration (operation) | 10 Hz ... 150 Hz, 2g |

Approvals

CE

| | |
|----------------|--------------|
| Identification | CE-compliant |
|----------------|--------------|

Mounting

| | |
|-------------------|------------------------|
| Mounting type | DIN rail mounting |
| Mounting position | vertical or horizontal |

PSR-M-GW-ETH-PI - Data interface

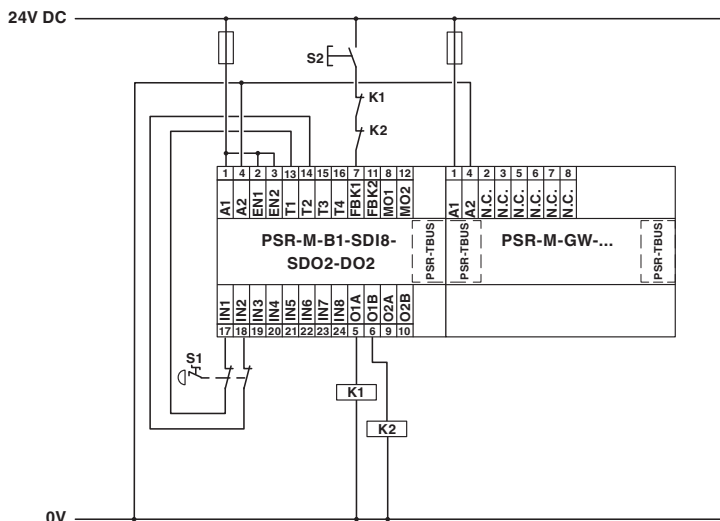


1105107

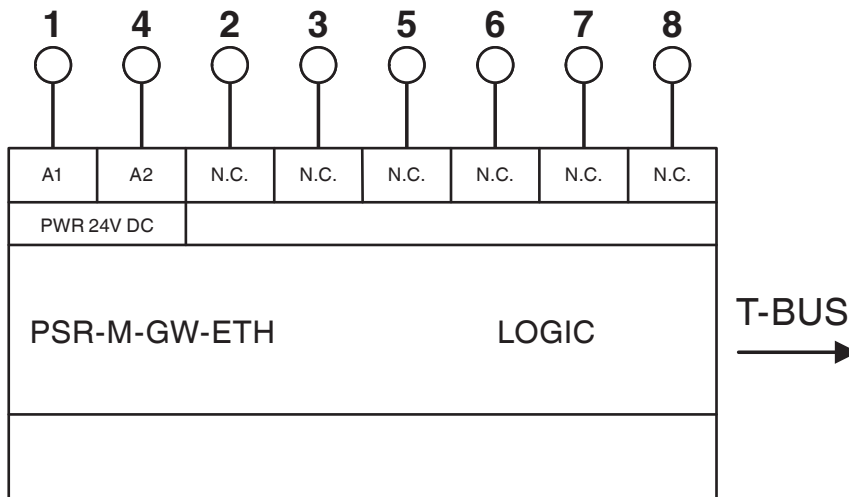
<https://www.phoenixcontact.com/us/products/1105107>

Drawings

Application drawing




Block diagram



1105107

<https://www.phoenixcontact.com/us/products/1105107>

Approvals

 To download certificates, visit the product detail page: <https://www.phoenixcontact.com/us/products/1105107>



cULus Listed

Approval ID: E238705



Functional Safety

Approval ID: Z10029429 0013Rev.02

1105107

<https://www.phoenixcontact.com/us/products/1105107>

Classifications

ECLASS

| | |
|-------------|----------|
| ECLASS-13.0 | 27242608 |
| ECLASS-15.0 | 27242608 |

ETIM

| | |
|-----------|----------|
| ETIM 10.0 | EC001604 |
|-----------|----------|

UNSPSC

| | |
|-------------|----------|
| UNSPSC 21.0 | 32151600 |
|-------------|----------|

1105107

<https://www.phoenixcontact.com/us/products/1105107>

Environmental product compliance

EU RoHS

| | |
|-----------------------------------------|--------------------|
| Fulfills EU RoHS substance requirements | Yes, No exemptions |
|-----------------------------------------|--------------------|

China RoHS

| | |
|----------------------------------------|------------------------------------------|
| Environment friendly use period (EFUP) | EFUP-E |
| | No hazardous substances above the limits |

EU REACH SVHC

| | |
|-------------------------------------|----------------------------|
| REACH candidate substance (CAS No.) | No substance above 0.1 wt% |
|-------------------------------------|----------------------------|

EF3.1 Climate Change

| | |
|---------|--------------|
| CO2e kg | 46.7 kg CO2e |
|---------|--------------|

Phoenix Contact 2026 © - all rights reserved
<https://www.phoenixcontact.com>

Phoenix Contact USA
586 Fulling Mill Road
Middletown, PA 17057, United States
(+717) 944-1300
info@phoenixcon.com