

# TTC-6-FC-UT/50 - Fuse holder

1104514

<https://www.phoenixcontact.com/us/products/1104514>

Please be informed that the data shown in this PDF document is generated from our online catalog. Please find the complete data in the user documentation. Our general terms of use for downloads are valid.



Fuse carrier for surge protective devices of the TERMITRAB complete product range with screw connection technology. Multi-level connection on TTC-6 housings possible. For conventional 5x20 mm miniature fuses.

## Commercial data

Item number	1104514
Packing unit	50 pc
Minimum order quantity	50 pc
Sales key	CL23
Product key	CL226Z
GTIN	4055626971520
Weight per piece (including packing)	5.11 g
Weight per piece (excluding packing)	5.1 g
Customs tariff number	85363010
Country of origin	DE

# TTC-6-FC-UT/50 - Fuse holder

1104514

<https://www.phoenixcontact.com/us/products/1104514>

## Technical data

### Product properties

Product type	Fuse module
Product family	TERMITRAB complete
Surge protection fault message	none

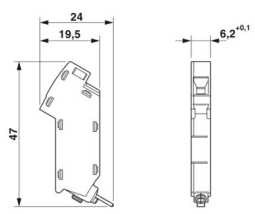
### Insulation characteristics

Overvoltage category	III
Pollution degree	2

### Connection data

Connection method	Screw connection
Screw thread	M3
Tightening torque	0.5 Nm
Conductor cross-section flexible	0.2 mm <sup>2</sup> ... 2.5 mm <sup>2</sup>
Conductor cross-section rigid	0.2 mm <sup>2</sup> ... 4 mm <sup>2</sup>
Conductor cross-section AWG	24 ... 12

### Dimensions

Dimensional drawing	
Width	6.2 mm +0.1 mm
Height	24 mm
Depth	47 mm

### Material specifications

Color	gray (RAL 7042)
Flammability rating according to UL 94	V-0
Housing material	PBT

### Mechanical properties

#### Mechanical data

Open side panel	No
-----------------	----

### Protective circuit

Operating voltage range	60 V DC
Rated current	6.3 A

# TTC-6-FC-UT/50 - Fuse holder



1104514

<https://www.phoenixcontact.com/us/products/1104514>

## Environmental and real-life conditions

### Ambient conditions

Degree of protection	IP20
Ambient temperature (operation)	-40 °C ... 85 °C
Ambient temperature (storage/transport)	-40 °C ... 85 °C
Altitude	≤ 4000 m (amsl)

## Standards and regulations

Standards/specifications	EN 60947-7-3
Note	2009

## Mounting

Mounting type	Snapping and screwing components onto TERMITRAB complete
---------------	--

# TTC-6-FC-UT/50 - Fuse holder

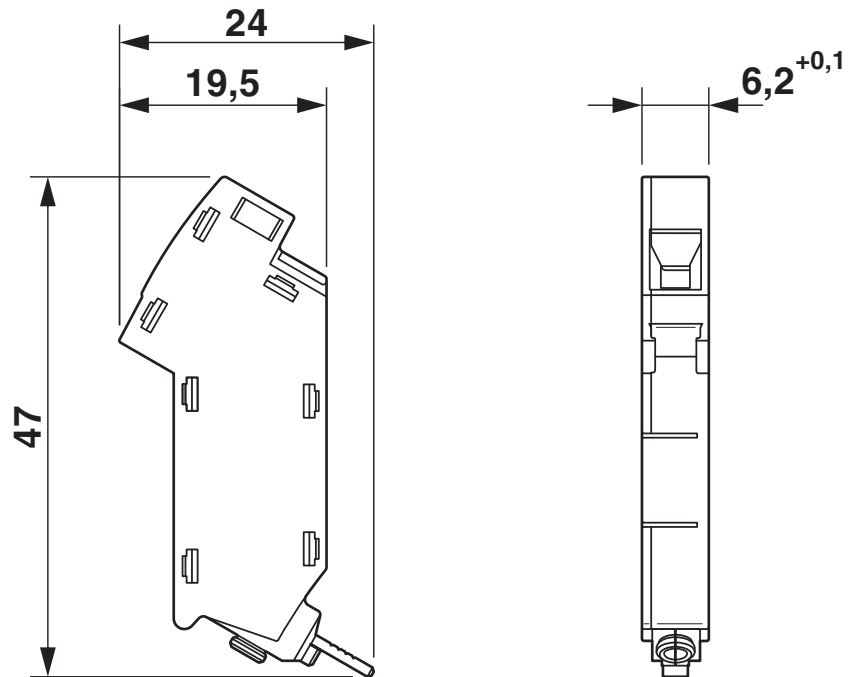
1104514

<https://www.phoenixcontact.com/us/products/1104514>



## Drawings

Dimensional drawing



# TTC-6-FC-UT/50 - Fuse holder



1104514

<https://www.phoenixcontact.com/us/products/1104514>

## Approvals

To download certificates, visit the product detail page: <https://www.phoenixcontact.com/us/products/1104514>



**UL Listed**

Approval ID: FILE E 138168



**UL Listed**

Approval ID: FILE E 333250



**cULus Listed**

Approval ID: File E 333250

# TTC-6-FC-UT/50 - Fuse holder



1104514

<https://www.phoenixcontact.com/us/products/1104514>

## Classifications

### ECLASS

ECLASS-13.0	27171292
ECLASS-15.0	27171292

### ETIM

ETIM 10.0	EC002496
-----------	----------

### UNSPSC

UNSPSC 21.0	39121600
-------------	----------

# TTC-6-FC-UT/50 - Fuse holder



1104514

<https://www.phoenixcontact.com/us/products/1104514>

## Environmental product compliance

### EU RoHS

Fulfills EU RoHS substance requirements	Yes, No exemptions
---	--------------------

### China RoHS

Environment friendly use period (EFUP)	EFUP-E
	No hazardous substances above the limits

### EU REACH SVHC

REACH candidate substance (CAS No.)	No substance above 0.1 wt%
-------------------------------------	----------------------------

Phoenix Contact 2026 © - all rights reserved  
<https://www.phoenixcontact.com>

Phoenix Contact USA  
586 Fulling Mill Road  
Middletown, PA 17057, United States  
(+717) 944-1300  
[info@phoenixcon.com](mailto:info@phoenixcon.com)